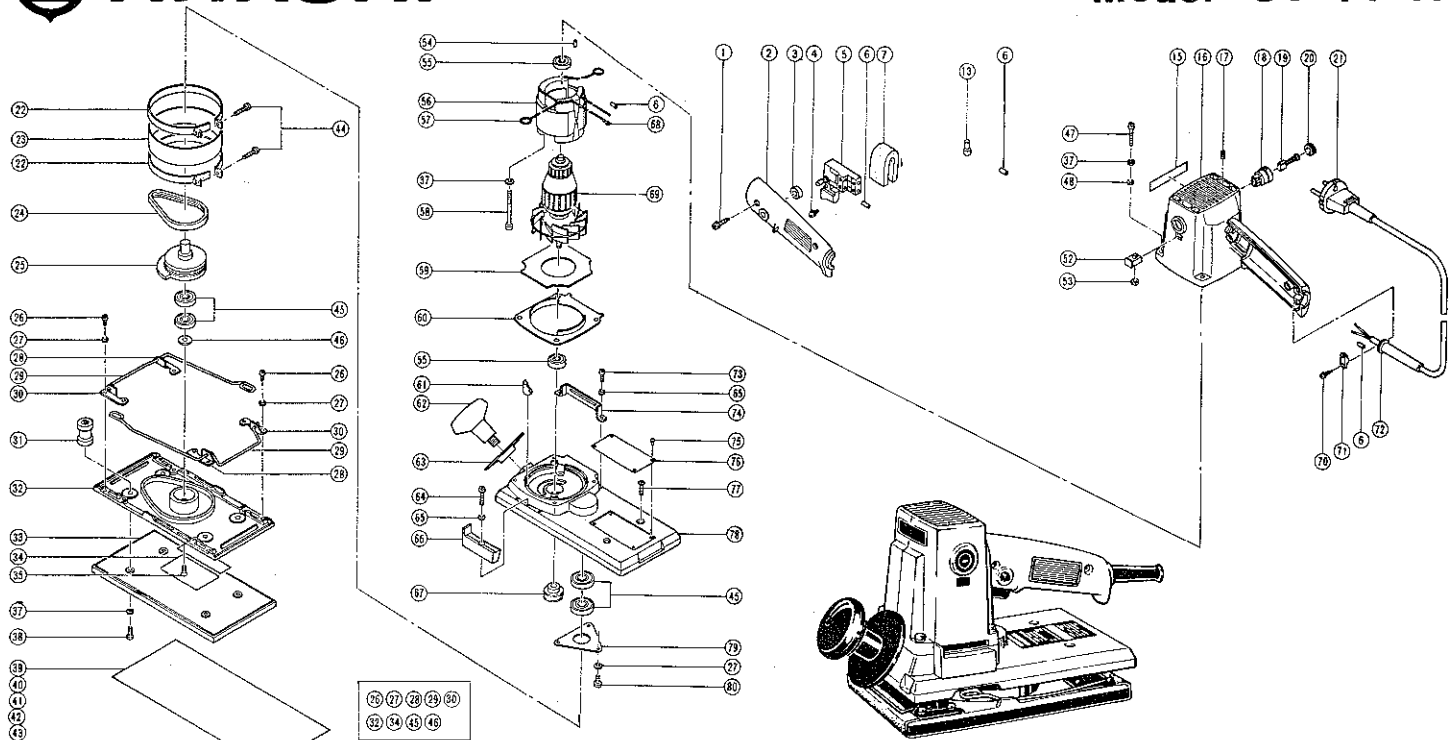




ORBITAL SANDER

Model SO-110A



ITEM NO.	PART NO.	NO. USED	DESCRIPTION	SUPPLY Q'TY	ITEM NO.	PART NO.	NO. USED	DESCRIPTION	SUPPLY Q'TY
1	982095	2	Tapping Screw D4×20		45	6001VV	4	Ball Bearing 6001VVCMS2L	
2	953323	1	Handle Cover		46	953338	1	Washer	
3	940811	1	Pushing Holder		47	949241	4	Machine Screw M5×20	10
4	980060	1	Machine Screw M3.5		48	949424	4	Washer M5	10
5	957747	1	Switch		52	953232	1	Nut Cover till 9 / 87	
6	981373	2	Tube (D)		53	949555	2	Nut M5	10
7	944483	1	Support		54	931701	1	Bearing Lock	
13	959140	1	Connector 50091	10	55	608VVM	2	Ball Bearing 608VVMC2EPS2L	
15	950565	1	HITACHI Label		56	953303C	1	Stator Assembly (includes item 57,68)	
16	990801	1	Housing Assembly (includes item 17,18) (old 990720)		57	930630	2	Brush Terminal	
17	938477	2	Set Screw M5×8 (old 962782)		58	949247	2	Machine Screw M5×35 till 9 / 87	10
18	990721	2	Brush Holder		58 A	980864	2	Hex Tapping Screw D5×40 since 10 / 87	
19	999021	1	Carbon Brush	2	59	953307	1	Fan Guide	
20	937847	2	Brush Cap		60	953362	1	Inner Guide (B)	
21	500240Z	1	Cord		61	953369	1	Spacer	
22	953309	2	Seal Band		62	953324	1	Handle Knob	
23	953308	1	Rubber Seal		63	953334	1	Plate	
24	953312	1	Belt		64	949221	1	Machine Screw M4×20	10
25	953344	1	Pulley (B)		65	949423	3	Washer M4	10
26	949214	8	Machine Screw M4×6	10	66	953368	1	Wind Guide	
27	949453	11	Spring Washer M4	10	67	953310	1	Pulley (A)	
28	982092	2	Spring Holder (A)		68	960356	1	Terminal (A)	10
29	982094	2	Spring (B)		69	953361C	1	Armature	
30	982093	2	Spring Holder (B)		70	984750	2	Tapping Screw D4×16 (old 930446)	
31	953315	4	Rubber Leg		71	937631	1	Cord Clip	
32	982091	1	Bottom Plate		72	953327	1	Cord Armor	
33	953337	1	Sponge Pad		73	949217	2	Machine Screw 4×12	10
34	953339	1	Bearing Seal		74	982096	1	Cover	
35	949332	1	Flat Head Screw M5×12	10	75	949510	2	Rivet 2.5×4.8	10
37	949454	1	Spring Washer M5	10	76	-	1	Name Plate	
38	949237	4	Machine Screw M5×12	10	77	949331	4	Flat Head Screw M5×10	10
39	939771	1	Sanding Paper WA60	10	78	953370P	1	Frame	
40	939772	1	Sanding Paper WA80	10	79	953313	1	Bearing Cover	
41	939774	1	Sanding Paper WA120	10	80	949216	3	Machine Screw M4×10	10
42	939776	1	Sanding Paper WA180	10	81	982090	1	Bottom Plate Assembly (includes item 26 - 30,32,34,45,46)	
43	939778	1	Sanding Paper WA240	10					
44	949223	2	Machine Screw M4×25	10					