

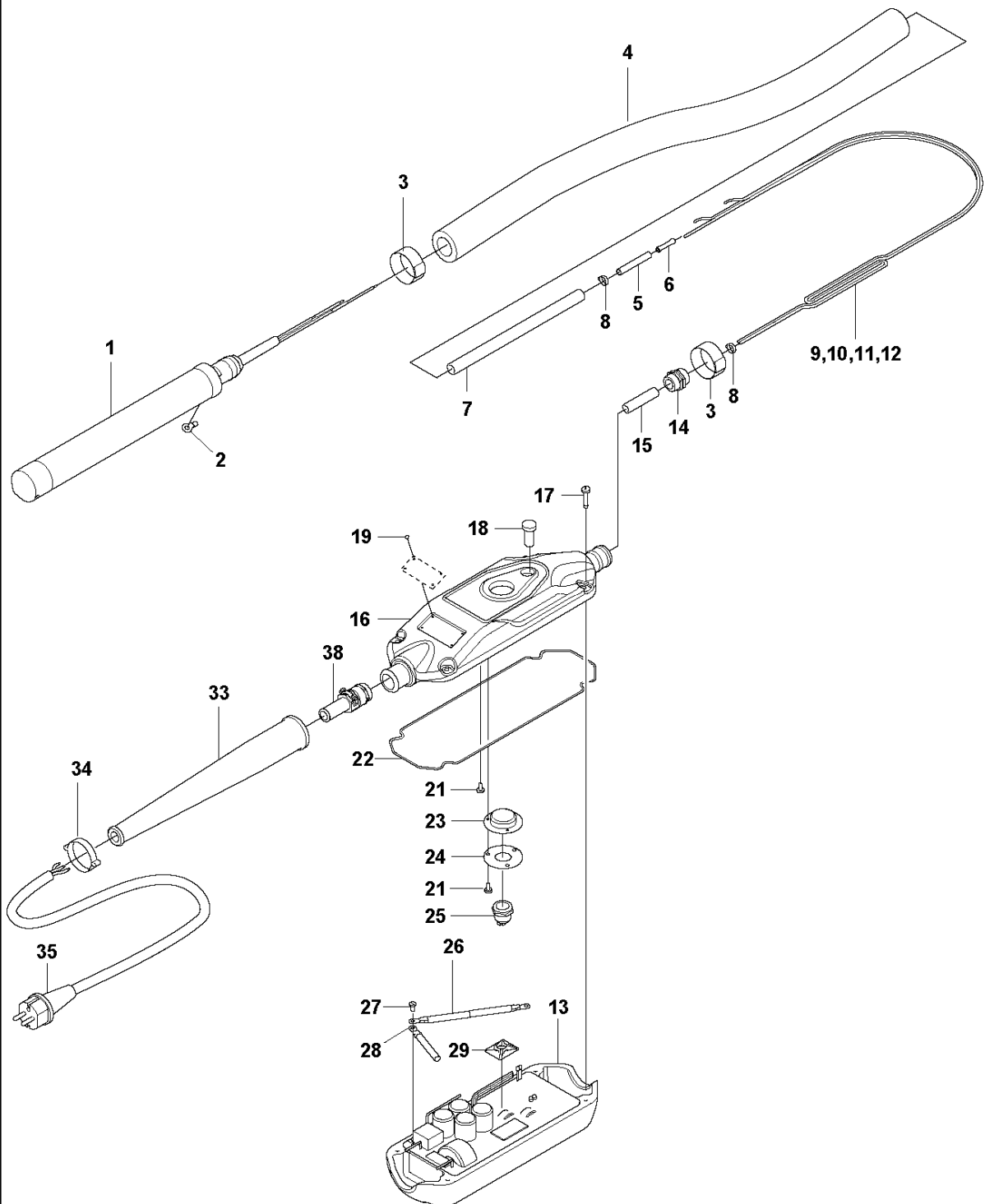


# SPARE PARTS LIST

POKERS

SMART 65, 967938801, 2019-08

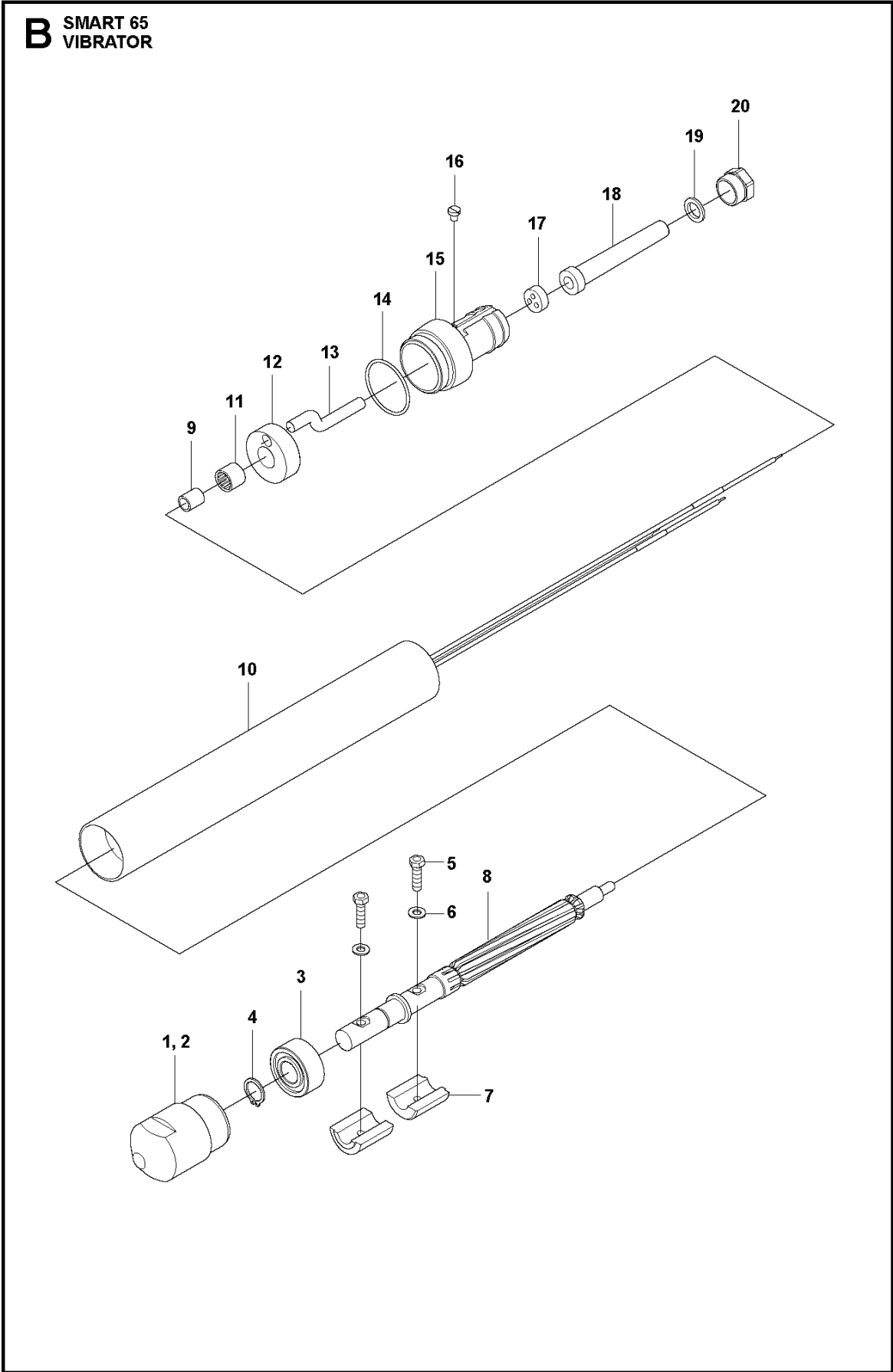
**A** SMART 65  
PRODUCT COMPLETE



## PRODUCT COMPLETE

SMART 65, 967938801, 2019-08

Ref	Part No	Description	Remark	QTY KIT
1	594 62 73-01	HEAD	Vibrating head SMART 65	1
2	594 79 47-01	CLIP		1
3	594 28 17-01	CLAMP		2
4	594 38 84-05	HOSE		1
5	594 25 75-01	INSULATION		3
6	595 11 85-01	SLEEVE		8
7	594 25 49-04	HOSE		1
8	594 28 64-01	CLAMP		7
9	594 28 77-02	CABLE	White wire	1
10	598 47 91-02	WIRE	Red wire	1
11	594 28 59-03	WIRE	Blue wire	1
12	594 52 78-04	CABLE	Ground wire, yellow/green	1
13	594 61 98-01	UNIT		1
14	594 40 88-01	BOX		1
15	594 25 71-02	HOSE		1
16	594 62 30-01	COVER		1
17	594 62 04-01	SCREW	M5x30 DIN 7500C	4
18	594 62 02-01	HANDLE		1
19	595 14 14-01	RIVET		4
21	594 62 03-01	SCREW	M4x8 DIN 7500	4
22	594 62 14-01	O-RING	233x3 NBR 70 shore	1
23	594 61 99-01	DIAPHRAGM		1
24	594 62 00-01	PLATE		1
25	594 62 01-01	SWITCH		1
26	594 63 07-01	WIRE		1
27	594 28 61-01	SCREW	M4x8 BRASS DIN84A	1
28	594 85 36-01	UNIT		1
29	595 19 65-01	CLIP		1
33	594 25 68-01	SHEET		1
34	594 25 52-01	CLAMP		1
35	595 04 52-01	CABLE	Cable with plug EU 230 V	1
38	594 61 93-01	PISTON		1

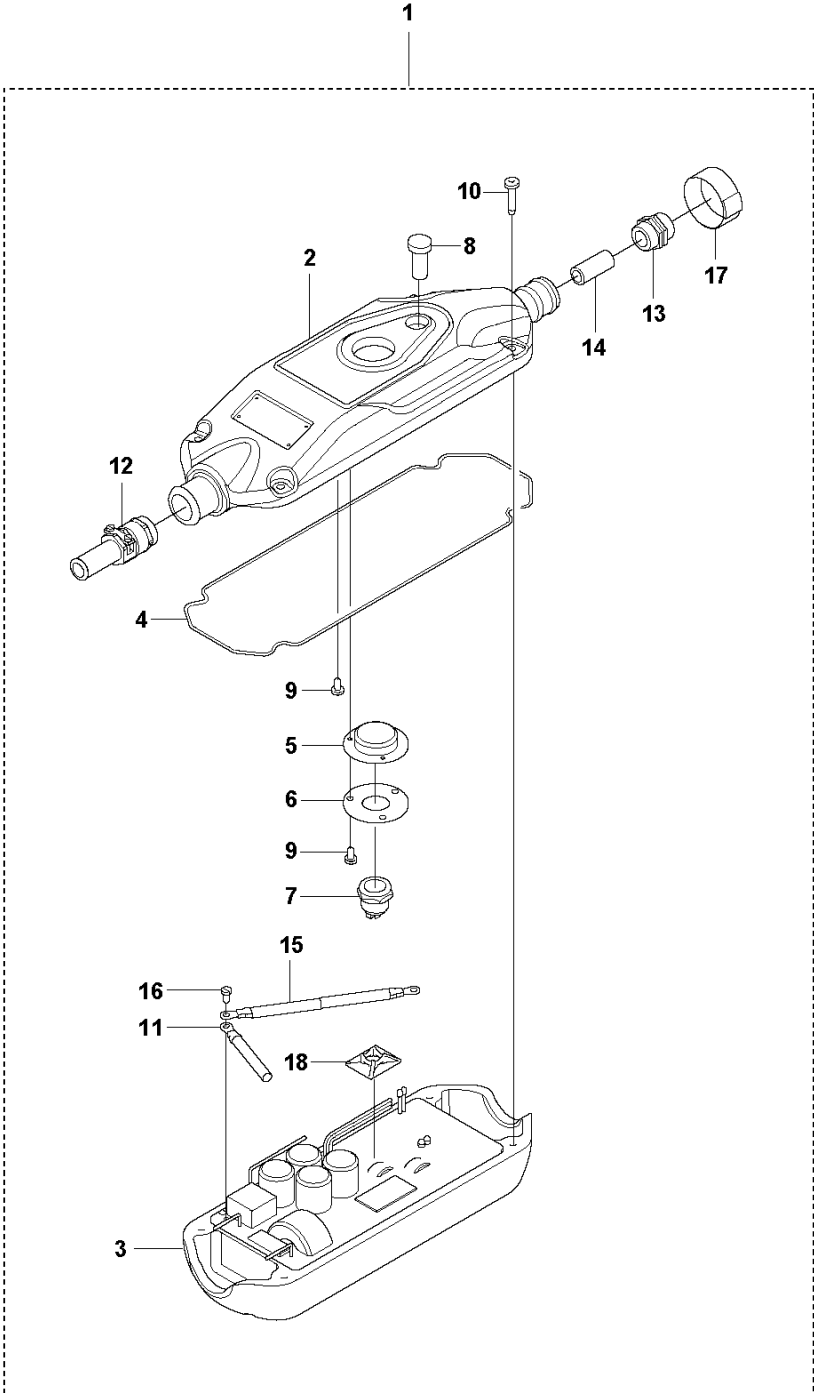


## VIBRATOR

SMART 65, 967938801, 2019-08

Ref	Part No	Description	Remark	QTY KIT
1	594 28 97-01	CAP		1
2	595 45 09-01	CAP		1
3	594 29 00-01	BEARING	NUP 2304 E TVP2 C3	1
4	594 27 80-01	RETAINER RING	20x1.75 DIN471	2
5	595 34 43-01	SCREW	M8x30 ISO4017 8.8 A2K	2
6	594 39 95-01	WASHER	ZM8 NFE25-511 FZB	2
7	595 15 78-01	EXCENTER		2
8	594 28 99-01	ROTOR		1
9	594 27 37-01	BUSHING		1
10	594 62 21-01	TUBE	Stator, complete 230 V	1
11	594 27 36-01	BEARING		1
12	594 27 77-01	BEARING		1
13	594 79 10-01	HOSE		1
14	594 26 83-01	O-RING	48.9x2.62 NBR 70 shore	1
15	594 29 05-01	NIPPLE		1
16	594 27 27-01	SCREW	M4x5 BRASS DIN84A	1
17	594 28 90-01	GASKET		1
18	594 29 04-01	PROTECTION		1
19	594 28 75-01	RING		1
20	594 28 73-01	SCREW		1

**C** SMART 65  
ELECTRONIC CONVERTER

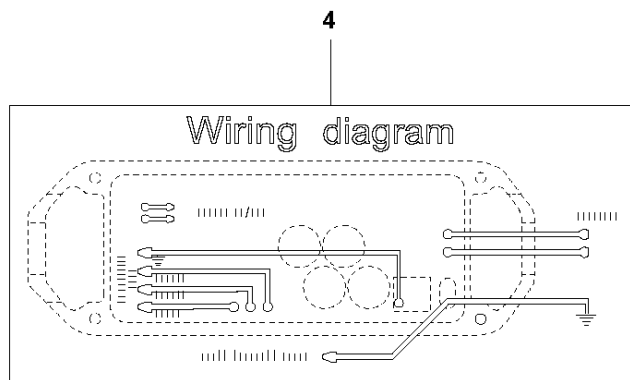
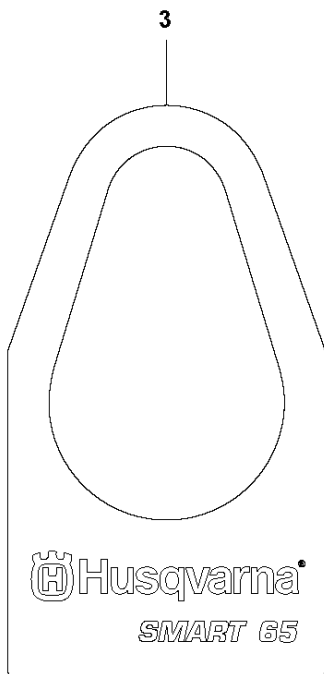
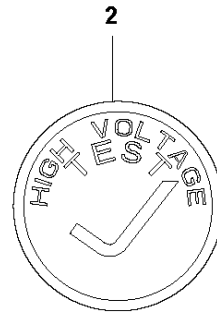
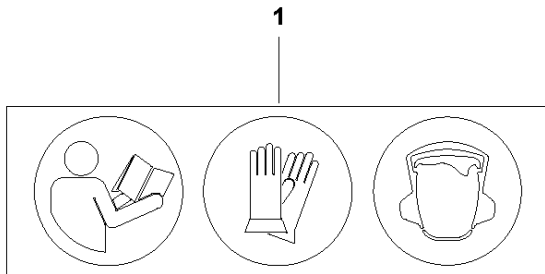


## ELECTRONIC CONVERTER

SMART 65, 967938801, 2019-08

Ref	Part No	Description	Remark	QTY KIT	
1	598 48 80-01	ELECTRONIC BOX	Kit without cable	1	
2	594 62 30-01	COVER		1	1
3	594 61 98-01	UNIT		1	1
4	594 62 14-01	O-RING	233x3 NBR 70 shore	1	1
5	594 61 99-01	DIAPHRAGM		1	1
6	594 62 00-01	PLATE		1	1
7	594 62 01-01	SWITCH		1	1
8	594 62 02-01	HANDLE		1	1
9	594 62 03-01	SCREW	M4x8 DIN 7500	4	1
10	594 62 04-01	SCREW	M5x30 DIN 7500C	4	1
11	594 85 36-01	UNIT		1	1
12	594 61 93-01	PISTON		1	1
13	594 40 88-01	BOX		1	1
14	594 25 71-01	HOSE		1	1
15	594 63 07-01	WIRE		1	1
16	594 28 61-01	SCREW	M4x8 BRASS DIN84A	1	1
17	594 28 17-01	CLAMP		1	1
18	595 19 65-01	CLIP		1	1

**D** SMART 65  
DECALS





DECALS

SMART 65, 967938801, 2019-08

Ref	Part No	Description	Remark	QTY KIT
1	594 62 75-01	DECAL		1
2	595 50 49-01	LABEL		1
3	596 31 16-01	DECAL		1
4	594 62 26-01	DECAL		1