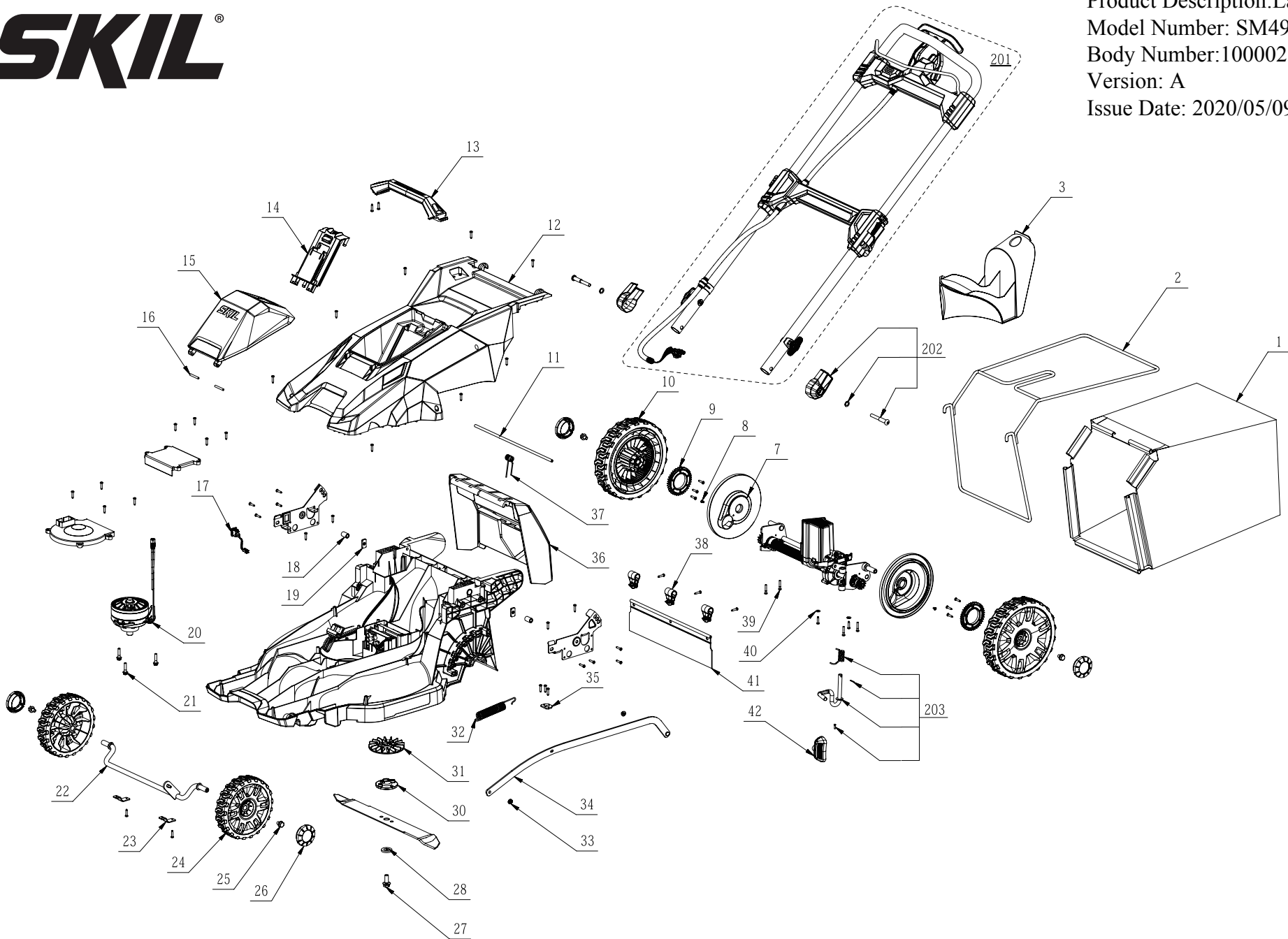


SKIL®

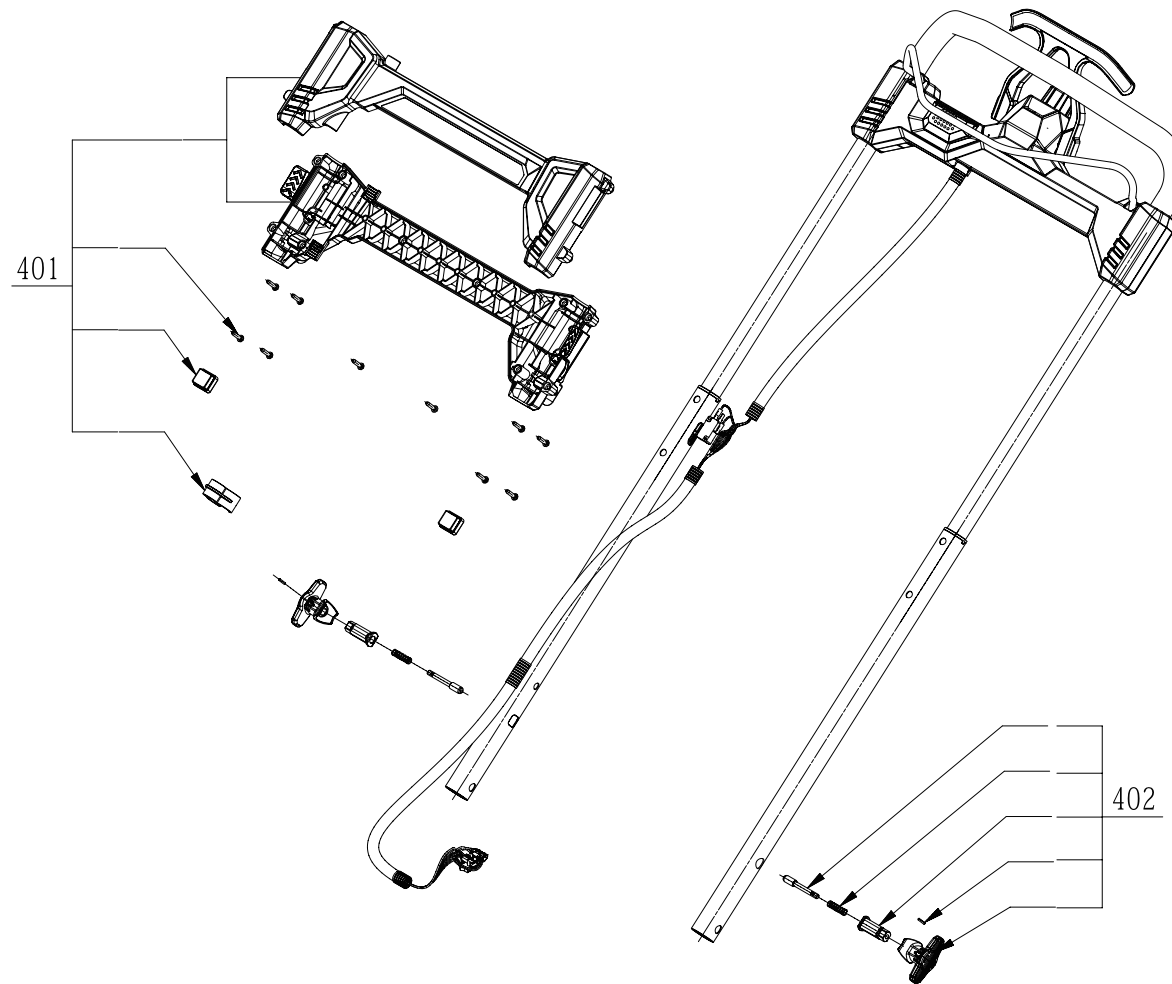
Product Description:Lawn Mower
Model Number: SM4910-00
Body Number:1000023001
Version: A
Issue Date: 2020/05/09





Product Description:Lawn Mower
Model Number: SM4910-00
Body Number:1000023001
Version: A
Issue Date: 2020/05/09

201



No.	Product Model#	Part Number	Description	Qty
1	SM4910-00	3800158001	Grass Catcher	1
2	SM4910-00	3707036001	Bag Frame	1
3	SM4910-00	3130423001	Mulch Plug	1
7	SM4910-00	3128946001	Protecting Cap	2
8	SM4910-00	5620067010	Screw	2
9	SM4910-00	3520933001	Gear	2
10	SM4910-00	2826985001	Wheel Assembly	2
11	SM4910-00	5670345001	Shaft	1
12	SM4910-00	3130419001	Cover	1
13	SM4910-00	3130413001	Auxiliary Handle	1
14	SM4910-00	2827251001	Guide Rail Assembly	1
15	SM4910-00	2827255001	Battery Cover Assembly	1
16	SM4910-00	5670538001	Parallel Pin	2
17	SM4910-00	4870735001	Switch Assembly	1
18	SM4910-00	3580002001	Bushing	2
19	SM4910-00	5630353001	Square Nut	2
20	SM4910-00	2730307001	DC Motor	1
21	SM4910-00	5640217002	Bolt and Washer Set	3
22	SM4910-00	2825956001	Front Axle Set	1
23	SM4910-00	3705216001	Mounting Plate	2
24	SM4910-00	2826986001	Wheel Assembly	2
25	SM4910-00	5640010003	Hexagon Flange Bolt	4
26	SM4910-00	3129711001	Hubcap	4
27	SM4910-00	5640226001	Flange Bolt	1
28	SM4910-00	5650510001	Washer	1
30	SM4910-00	3520852002	Motor Bushing	1
31	SM4910-00	3127847001	Fan	1
32	SM4910-00	3660609001	Tension Spring	1
33	SM4910-00	5630013003	Prevailing Torque Hexagon Nut	2
34	SM4910-00	2826751001	Connecting Rod ASSY	1
35	SM4910-00	3705397001	Clamp	1
36	SM4910-00	3130426001	Rear Cover	1
37	SM4910-00	3660559001	Torsion Spring	1
38	SM4910-00	3129770001	Bevel Support	3
39	SM4910-00	5620480002	Screw	4
40	SM4910-00	5650004001	Plain Washer	2
41	SM4910-00	3130421001	Trail Shield	1
42	SM4910-00	3130412001	Height Adjusting Lever	1
202	SM4910-00	2827248001	Decorative Cover Assembly	2
203	SM4910-00	2827249001	Height Adjusting Bar Assembly	1
201	SM4910-00	2826857002	Handle ASSY	1
401	SM4910-00	2827252001	Beam Assembly	1
402	SM4910-00	2827253001	Adjusting Lever Assembly	2