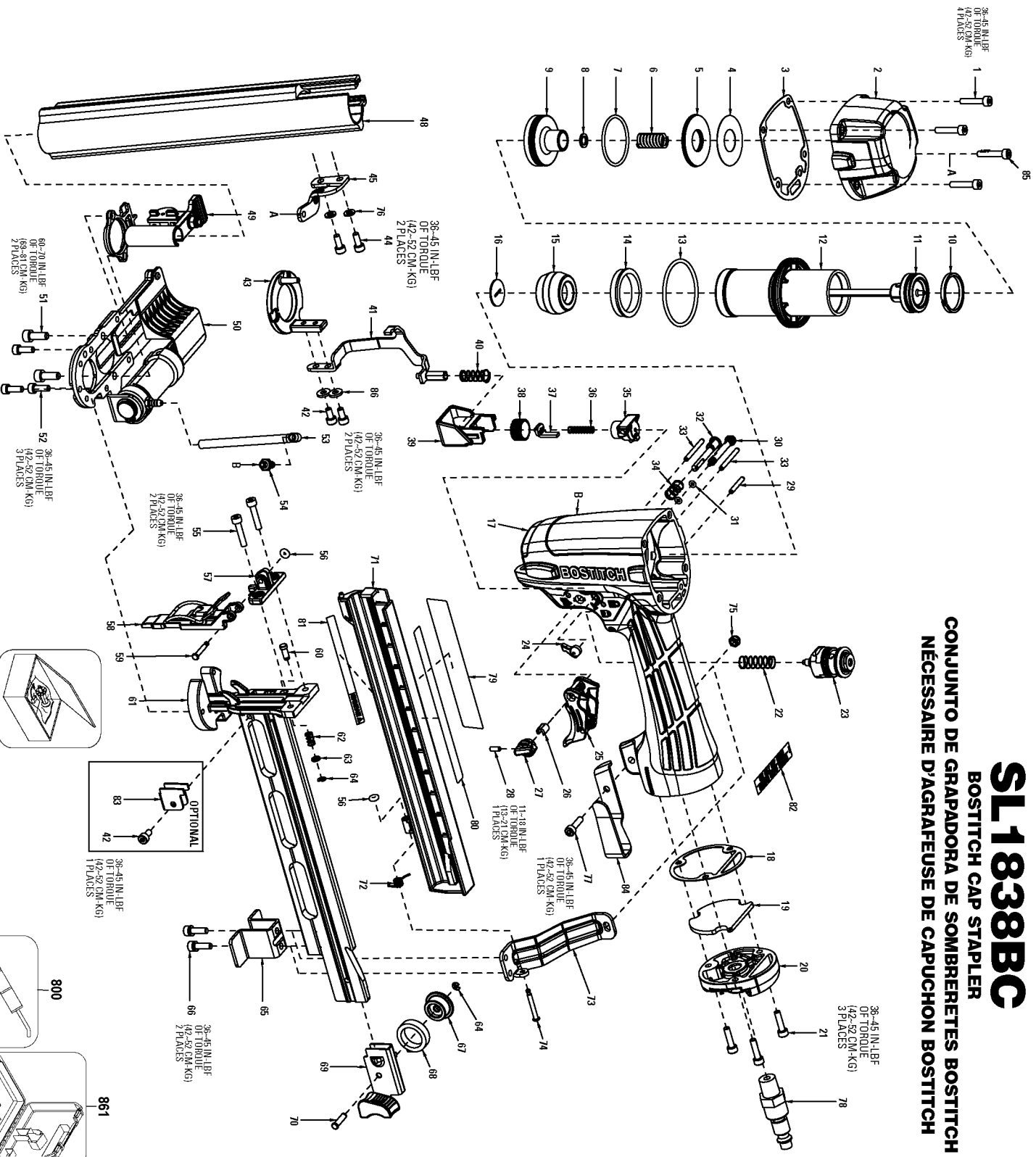


# SL1838BC

**BOSTITCH CAP STAPLER**  
**CONJUNTO DE GRAPADORA DE SOMBRERETES BOSTITCH**  
**NECESSAIRE D'AGRAFEUSE DE CAPUCHON BOSTITCH**



IP1294-1REV B 11/09  
 TO BE USED WITH PARTS LIST IP1294-2 AND OPERATION AND MAINTENANCE MANUAL 188677.

## Parts List for SL1838BC Type 0

Item Number	Part Number	Description	Qty Required
1	182237	SCREW	4
2	181917	ASSEMBLY-CAP	1
3	175682	GASKET-FRAME/CAP	1
4	180445	PLATE	1
5	180446	SEAL	1
6	180447	SPRING	1
7	180448	O RING	1
8	180449	WASHER FLAT	1
9	180450-S	HEAD VALVE BODY	1
10	180457	RING-PISTON	1
11	180597	PISTON DRIVER ASSY	1
12	180458	SLEEVE-CYLINDER	1
13	180459	O-RING-44.7MMX2.4MM	1
14	180460	CHECK SEAL	1
15	180461	BUMPER	1
16	180599	DRIVER GUIDE	1
17	188596	FRAME-MACHINING	1
18	180463	GASKET-END CAP	1
19	182235	AIR FILTER	1
20	180465	END CAP	1
21	MSC4070-16	SCREW-SHCS-M4X0.7X16	3
22	180476	SPRING-TRIGGER	1
23	TVA15	TRIGGER VALVE	1
24	184518	BUTTON-TRIGGER LOCK	1
25	184513	ASSEMBLY-TRIGGER	1
26	184508	BUSHING	1
27	184506	BUTTON-MODE SWITCH	1

## Parts List for SL1838BC Type 0

Item Number	Part Number	Description	Qty Required
28	180484	SCREW-SET-M3X8MM	1
29	180475	PIN-SPRING-M3X20MM	1
30	184519	PIN-TRIGGER LOCK	1
31	MRG002514	O-RING-.098X.055	1
32	184507	PIN-MODE SWITCH	1
33	174345	PIN SPRING	2
34	180481	SPRING-MODE SWITCH	1
35	180514	GUIDE-UPPER TRIP	1
36	180513	SPRING	1
37	180510	ASSEMBLY-UPPER CONTA	1
38	180509	ADJUSTING KNOB	1
39	188579	CONTACT TRIP BRACKET	1
40	188667	SPRING-CONTACT ARM	1
41	188595	CONTACT ARM	1
42	MSC4070-8	SCREW-SHCS-M4X0.70X8	2
43	188592	CONTACT PLATE	1
44	MSC4070-10	SCREW-SHCS-M4X0.70X1	2
45	188587	CAP- MAGAZINE	1
48	188699	MAGAZINE UNIT B P05-	1
49	188650	SLIDING SEAT UNIT	1
50	188660	MAGAZINE CYLINDER	1
51	188625	SCREW M5X.8X14 SHCS	2
52	MSC4070-12	SCREW-SHCS-M4X0.70X1	3
53	188642	TUBE	1
54	188636	FITTING	1
55	100260	SCREW	2
56	174073	O-RING	1

## Parts List for SL1838BC Type 0

Item Number	Part Number	Description	Qty Required
57	188585	COVER B	1
58	188663	COVER PLATE ASSY	1
59	188628	PIN COVER HINGE	1
60	188594	PLUNGER-LOCK OUT	1
61	188598	MAGAZINE ASSEMBLY	1
62	180492	SPRING-LOCK OUT	1
63	180493	SPACER	1
64	180494	E-RING-2.5MM	2
65	188637	PLATE BALANCE	1
66	188705	SCREW M4X.70X14 SHCS	2
67	188633	CONSTANT BUSHING	1
68	188632	CONSTANT PUSHER	1
69	188664	PUSHER UNIT	1
70	188634	PIN	1
71	188638	MAGAZINE COVER	1
72	188696	TORSION SPRING	1
73	188593	MAGAZINE BRACKET	1
74	188704	PIN	1
75	MHE4070-100	ELASTIC STOP NUT-M4	1
76	180504	WASHER, FLAT	2
77	188626	SCREW M4X.70X16 SHCS	1
79	159921	LABEL-WARNING-SB TOO	1
80	188601	LABEL	1
81	181919	LABEL-WARNING	1
800	100653	LUBE (2CC)	1
800	100679	LUBE (1LB.CAN)	1
861	188689	KIT BOX	1

## Parts List for SL1838BC Type 0

Item Number	Part Number	Description	Qty Required
876	TVA15RF	ACTUATOR ASSY.	1