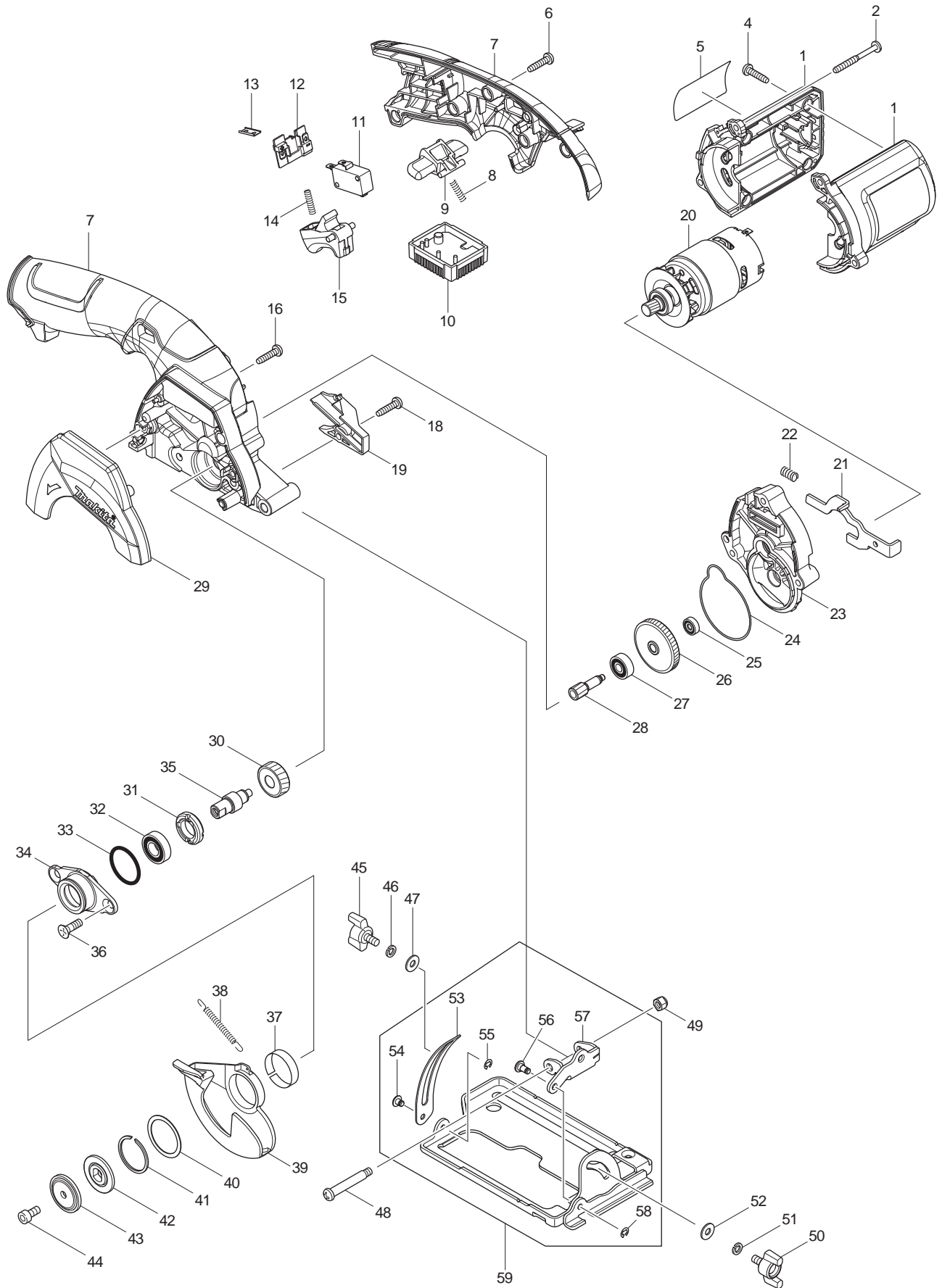




08 - 2010
SH01 / SH01Z
12V 3-3/8" CIRCULAR SAW KIT



Item No	Type	Ref	Part No	Description	Qty	Unit
1			188968-1	MOTOR HOUSING SET	1	PC.
		INC.	891089-7	CAUTION LABEL (EN/ES)	1	PC.
2			266560-4	TAPPING SCREW 4X40	3	PC.
4			265995-6	TAPPING SCREW 4X18	4	PC.
5			868569-8	SH01 NAME PLATE	1	PC.
6			265995-6	TAPPING SCREW 4X18	5	PC.
7			188966-5	HANDLE SET	1	PC.
		INC.	263005-3	RUBBER PIN 6	1	PC.
		INC.	263002-9	RUBBER PIN 4	1	PC.
8			231469-9	COMPRESSION SPRING 4	1	PC.
9			419664-3	LOCK OFF LEVER	1	PC.
10	1		620015-7	CONTROLLER	1	PC.
	2		638892-3	CONTROLLER UNIT	1	PC.
11			651891-8	SWITCH V-15-3A6	1	PC.
12			643830-2	TERMINAL	1	PC.
13			345998-7	SET PLATE	1	PC.
14			231469-9	COMPRESSION SPRING 4	1	PC.
15			419665-1	SWITCH LEVER	1	PC.
16			265995-6	TAPPING SCREW 4X18	2	PC.
18			265995-6	TAPPING SCREW 4X18	1	PC.
19			452234-5	DUCT	1	PC.
20			629885-1	DC MOTOR	1	PC.
21			346337-4	SHAFT LOCK	1	PC.
22			233117-6	COMPRESSION SPRING 6	1	PC.
23			140625-9	GEAR HOUSING COMPLETE	1	PC.
		INC.	213325-5	O RING 19	1	PC.
24			424358-7	PACKING	1	PC.
25			210036-3	BALL BEARING 604ZZ	1	PC.
26			227737-6	HELICAL GEAR 47	1	PC.
27			210028-2	BALL BEARING 606ZZ	1	PC.
28			227735-0	HELICAL GEAR 9B	1	PC.
29			452243-4	BLADE COVER	1	PC.
30			227736-8	HERICAL GEAR 28	1	PC.
31			285847-5	BEARING RETAINER 14-23	1	PC.
32			210069-8	BALL BEARING 6900DDW	1	PC.
33			213435-8	O RING 26	1	PC.
34			318660-7	BEARING BOX	1	PC.
35			325983-6	SPINDLE	1	PC.
36			265034-2	+ COUNTERSUNK HEAD SCREW M5X16	2	PC.
37			345470-9	THICKNESS RING	1	PC.
38			231867-7	TENSION SPRING 4	1	PC.
39			452236-1	SAFETY COVER	1	PC.
40			267127-1	FLAT WASHER 26	1	PC.
41			257938-2	RETAINING RING(EXT) WR-26	1	PC.
42			224435-3	INNER FLANGE 28	1	PC.
43			224177-9	OUTER FLANGE 28	1	PC.
44			922212-4	HEX. SOCKET HEAD BOLT M5X12	1	PC.
45			265760-3	THUMB SCREW M5X10	1	PC.
46			942101-7	SPRING WASHER 5	1	PC.
47			941101-4	FLAT WASHER 5	1	PC.
48			265056-2	+ PAN HEAD SCREW M5	1	PC.
49			252103-8	HEX. LOCK NUT M5-8	1	PC.
50			265760-3	THUMB SCREW M5X10	1	PC.
51			942101-7	SPRING WASHER 5	1	PC.
52			941101-4	FLAT WASHER 5	1	PC.
53			346338-2	DEPTH GUIDE	1	PC.
54			268004-0	PIN 4	1	PC.
55			961017-7	STOP RING E-3	1	PC.
56			268028-6	PIN 5	1	PC.
57			346339-0	ANGULAR GUIDE	1	PC.
58			961017-7	STOP RING E-3	1	PC.

Item No	Type	Ref	Part No	Description	Qty	Unit
59			135416-1	BASE ASSEMBLY	1	PC.
		INC.		Item No. 53-58		
C01			871718-8	CARTON F/SH01	1	PC.
			871716-2	CARTON F/SH01Z	1	PC.
<u>ACCESSORIES</u>						
A01			783202-0	HEX. WRENCH 4	1	PC.
A02			A-95021	3-3/8" C.T. SAW BLADE 20T	1	PC.
A03			DC10WB	CHARGER DC10WB F/LI-ION 7.2, 10.8, 12V	1	PC.
A04			195332-9	12V LI-ION BATTERY BL1014	1	PC.
A05			824961-8	PLASTIC CARRYING CASE	1	PC.
		INC.	163455-1	LATCH	2	PC.
		INC.	419360-3	HANDLE	1	PC.
A06			452237-9	DUST NOZZLE	1	PC.