

Drill Screwdriver - 3 601 D40 313 - SG 45M-50G

www.powertools-aftersaleservice.com



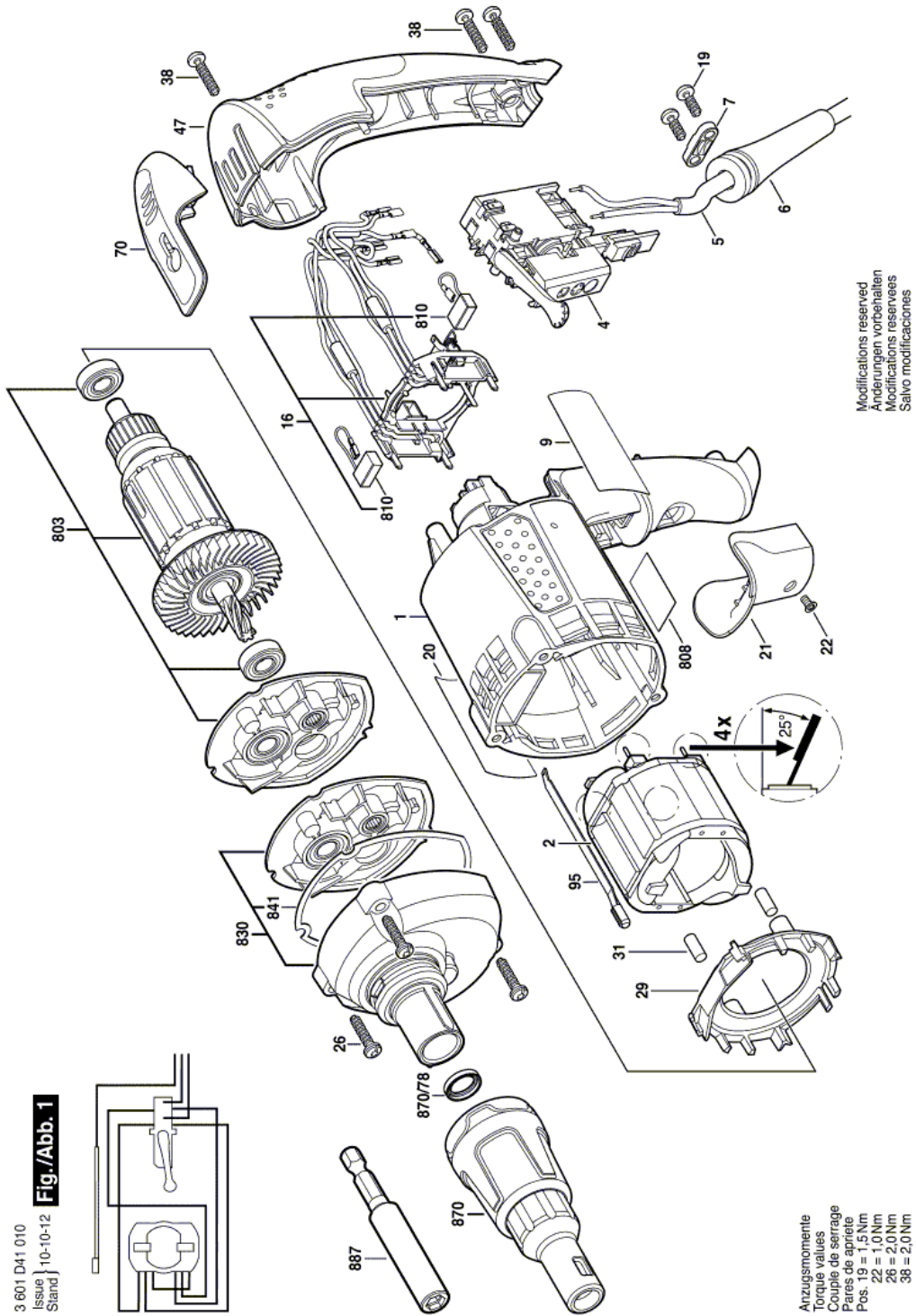
BOSCH

Item	Part Number	Description	Illustration	Price	Quantity	Price Group
1	2 605 108 083	Motor Housing DARK BLUE	1	-,-	1	32
2	2 604 220 455	Field 100-127V	1	-,-	1	31
4	2 607 200 639	Switch	1	-,-	1	36
5	2 604 460 312	Power supply cord USA/CND 15,4m 3x0,82mm SJ 18/3	1	-,-	1	45
6	2 600 703 018	Grommet Ø7,3-Ø8,6x76 MM	1	-,-	1	13
7	2 601 035 004	Cable Clip	1	-,-	1	12
9	2 601 115 056	Manufacturer's nameplate BOSCH	1	-,-	1	13
16	2 605 807 123	Brush Plate	1	-,-	1	28
19	2 603 490 021	Torx Oval-Head Screw 4x12	1	-,-	2	10
20	2 601 115 266	Reference Plate	1	-,-	1	13
21	2 605 500 196	Switch Cover RED	1	-,-	1	13
22	2 910 541 050	Countersunk-Head Screw DIN 7991 M3x8-8.8	1	-,-	1	10
26	2 603 490 024	Torx Oval-Head Screw 4x25	1	-,-	3	11
29	2 601 328 078	Cover Disc	1	-,-	1	14
31	2 602 391 004	Rubber Buffer	1	-,-	2	10
38	2 603 490 023	Torx Oval-Head Screw 4x20	1	-,-	3	10
47	2 605 132 061	Housing Cover DARK BLUE	1	-,-	1	25
70	2 601 329 113	Belt holder clip	1	-,-	1	16
95	2 601 329 115	Contact Strap	1	-,-	1	11
803	2 604 011 927	Armature 120-127V	1	-,-	1	41
808	2 601 115 562	Marking Plate	1	-,-	1	13
810	2 604 321 942	Carbon-Brush Set	1	-,-	1	22
830	2 606 200 225	Gear Unit	1	-,-	1	42
841	2 601 015 097	Seal	1	-,-	1	12
870	2 602 025 165	Depth-Gauge	1	-,-	1	24
870/78	3 600 290 502	Seal ring	1	-,-	1	15
887	3 603 008 500	Toolholder 1/4"	1	-,-	1	26

Product information Drill Screwdriver - 3 601 D40 313 - SG 45M-50G

Product No	3 601 D40 313
Description	251.348; Drill Screwdriver
DIN-Text	
ID_Text_Ext	0
Trading_Description	SG 45M-50G
Voltage_1	120 V
ID_Country_Product	USA

Illustration - Type E



Information subject to change without further notice.