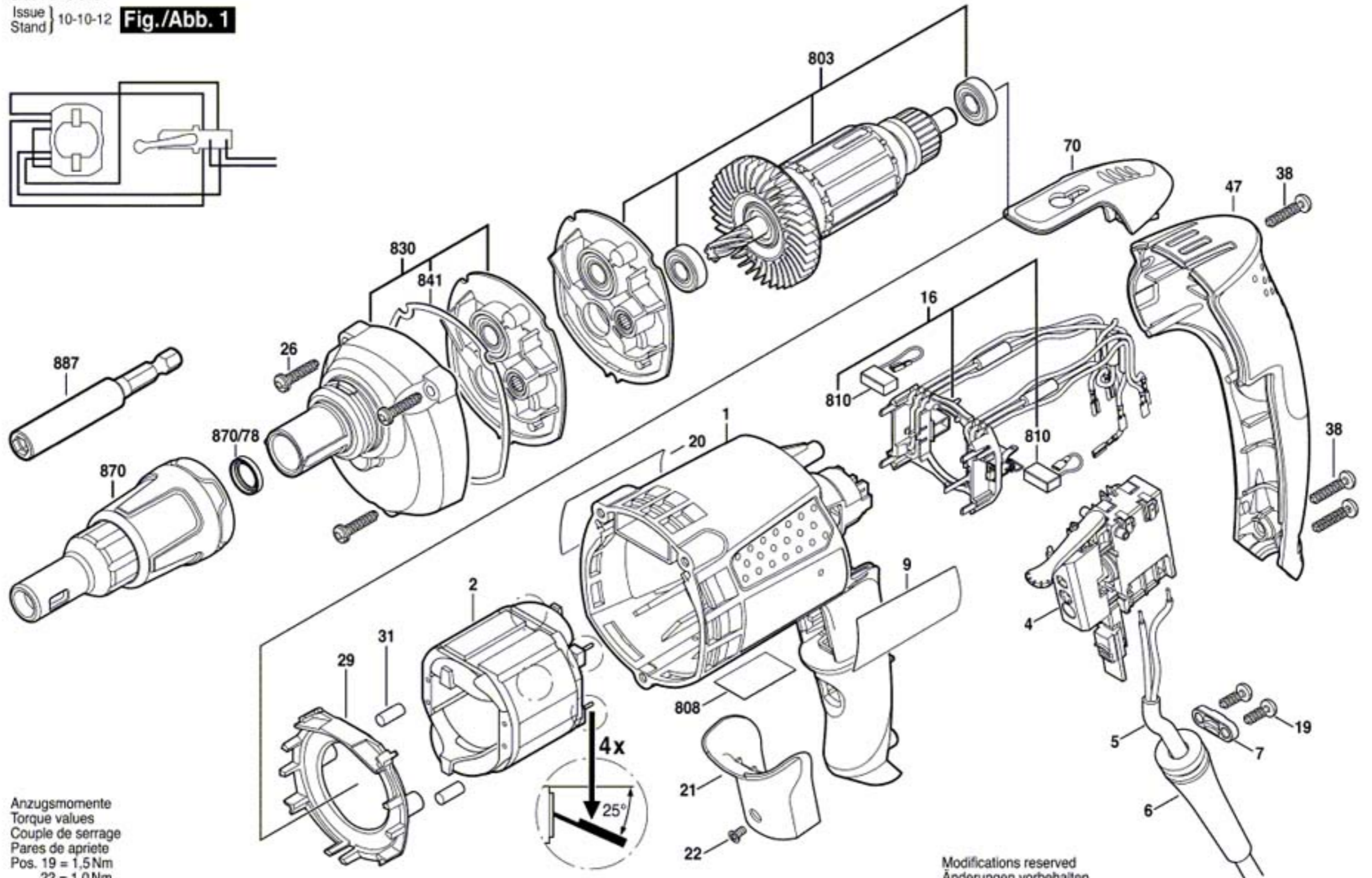
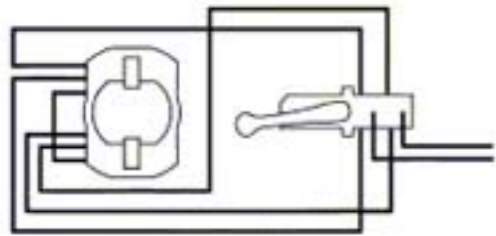


3 601 D40 010

Issue } 10-10-12 **Fig./Abb. 1**  
Stand }



Anzugsmomente  
Torque values  
Couple de serrage  
Pares de apriete  
Pos. 19 = 1,5 Nm  
22 = 1,0 Nm  
26 = 2,0 Nm  
38 = 2,0 Nm

Modifications reserved  
Änderungen vorbehalten  
Modifications reserves  
Salvo modificaciones