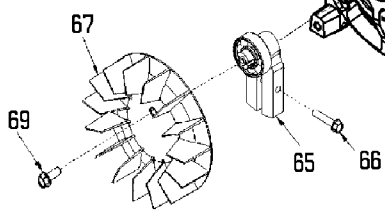
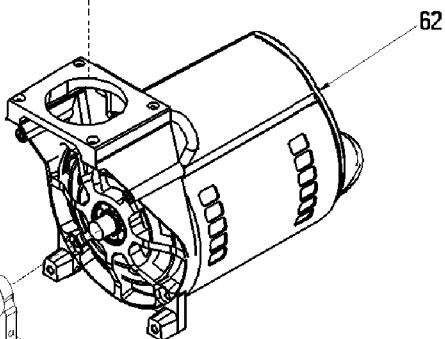


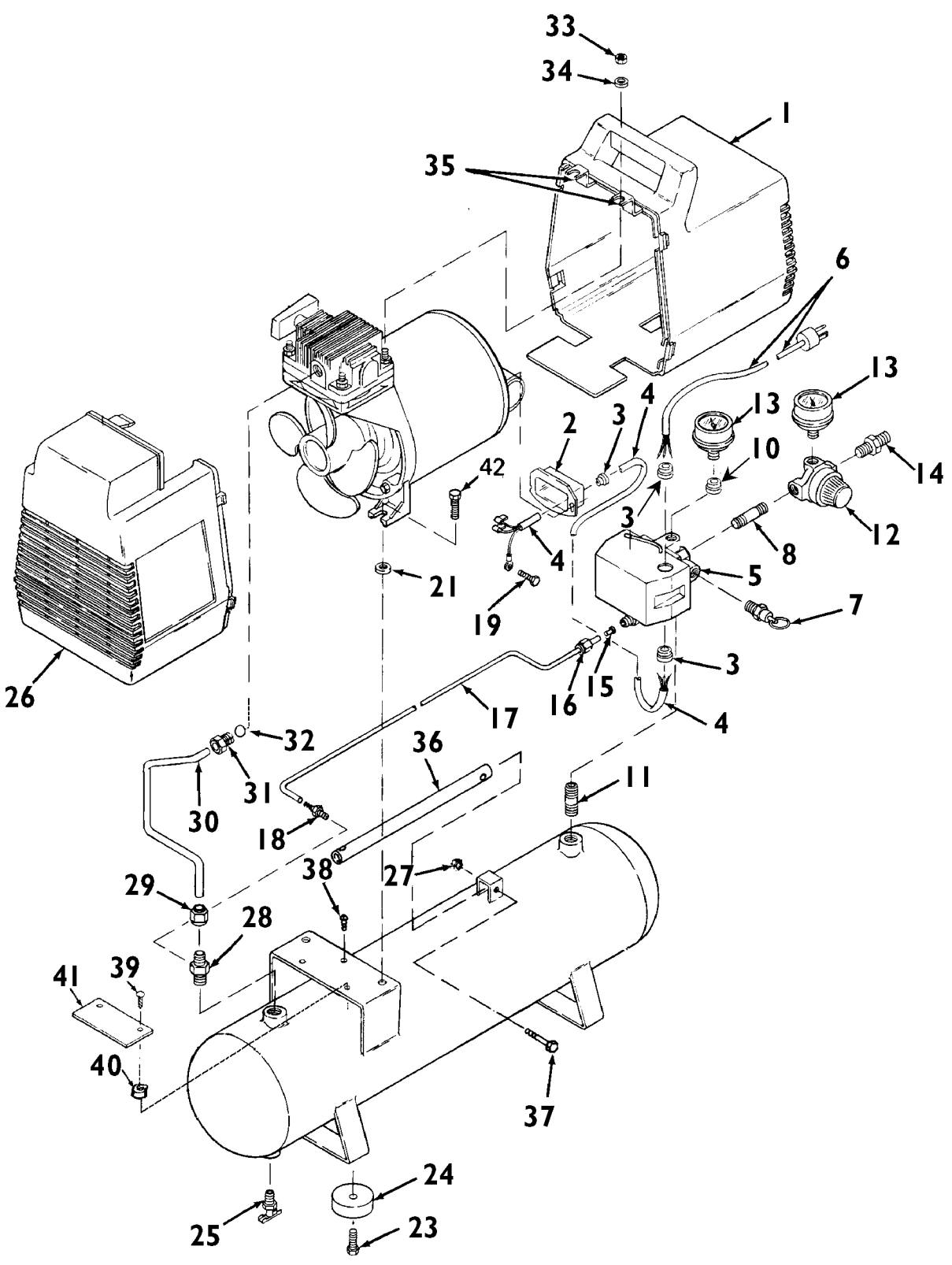
Assemble connecting rod so that the outside of rod is flush with outside of bearing.

61  
Position Locating Marks Towards Motor

u



KEY NO.	TORQUE
55	7 to 10 Ft. Lbs.
56	7 to 10 Ft. Lbs.
66	100 to 120 In. Lbs.
69	80 to 100 In. Lbs.
u	42 to 48 In. Lbs.



## Parts List for SDSC100E3D Type 1

Item Number	Part Number	Description	Qty Required
1	000000-00	No Longer Available	1
2	000000-00	No Longer Available	1
3	33821-00	BUSHING	3
3	438010040063	HEYCO BUSHINGS	1
4	SUDL-402-2	ASSY CORD MOTOR SJT	1
5	000000-00	No Longer Available	1
6	SUDL-403-1	ASSY CORD POWER SJT	1
7	TIA-4150	VALVE SAFETY 150 .25	1
8	N044990	NIPPLE CLOSE 1/4-18	1
10	SSP-6021	BUSHING REDUCER 1/8-	1
11	N053094	NIPPLE	1
12	CAC-4296-1	REGULATOR 3PORT P2 L	1
13	Z-D23004	GAUGE 1.5OD 200PSI .	1
14	D26889	ADAPTER .25 NPT X .2	1
15	5130039-00	SLEEVE	1
16	SSP-7813	ASSY NUT SLEEVE 3/8	1
17	CAC-1245-1	TUBE PRESSURE RELIEF	1
19	SUDL-9-1	SCREW #8-32X.375/.34	1
21	000000-00	No Longer Available	1
23	91895680	SCREW .250-20X.750 H	4
24	SST-5314-1	BUMPER RECESS RUBBER	4
25	N286039	DRAIN VALVE	1
26	000000-00	No Longer Available	1
27	SSF-8150	NUT .312-18 UNC HEX	1
28	A19711	VALVE CHECK 1/2NPT X	1
29	SSP-7813	ASSY NUT SLEEVE 3/8	1
30	AC-0127	TUBE OUTLET .375OD A	1

## Parts List for SDSC100E3D Type 1

Item Number	Part Number	Description	Qty Required
31	SSP-7821-1	NUT .563-18 UNF HEX	1
32	SSG-3105	ORING 306/296ID 073/	1
33	038738-00	NUT	2
34	330016-13	WASHER	2
35	CAC-1121	BRACKET SHROUD	2
36	000000-00	No Longer Available	1
37	SSF-3121-ZN	SCREW .313-18X1.75 H	1
38	SSF-1000	SCREW #12-14X.750 HE	1
39	SSF-1000	SCREW #12-14X.750 HE	1
40	000000-00	No Longer Available	1
41	000000-00	No Longer Available	1
42	SSF-928	SCREW .313-18X.875 H	2
50	KK-4981	KIT MUFFLER FILTER	1
51	DAC-143	FILTER INTAKE	1
52	KK-4981	KIT MUFFLER FILTER	1
53	KK-4981	KIT MUFFLER FILTER	1
54	AC-0037	HEAD 3/8 OUTLET FRON	1
55	SSF-589	STUD 1/4 - 20 X 1.12	1
56	SSF-927	SCREW .250-20X1.125	1
57	ACG-45	ORING P/L HEAD	1
58	Z-AC-0032	ASSY VALVE PLATE	1
59	SSG-8156	ORING 2.759/2.719ID	1
60	KK-4835	KIT CONNECTING ROD L	1
61	KK-4835	KIT CONNECTING ROD L	1
62	000000-00	No Longer Available	1
65	SST-3025-1	BEARING 17MM SINGLE	1
65	Z-AC-0140	ASSY ECCENTRIC BEARI	1

## Parts List for SDSC100E3D Type 1

Item Number	Part Number	Description	Qty Required
66	SSF-615	SCREW .250-20X1.25 U	1
67	AC-0108	FAN 5.75 DIA	1
69	SSF-586	SCREW .250-20X.750 U	1
70	SSF-3158-1	SCREW #10-24X.750 TH	1
71	KK-4835	KIT CONNECTING ROD L	1
72	KK-4835	KIT CONNECTING ROD L	1
856	KK-4835	KIT CONNECTING ROD L	1
856	KK-4981	KIT MUFFLER FILTER	1
856	K-0650	KIT COMP RING REPLAC	1
856	KK-4315	KIT VALVE REPLACEMEN	1