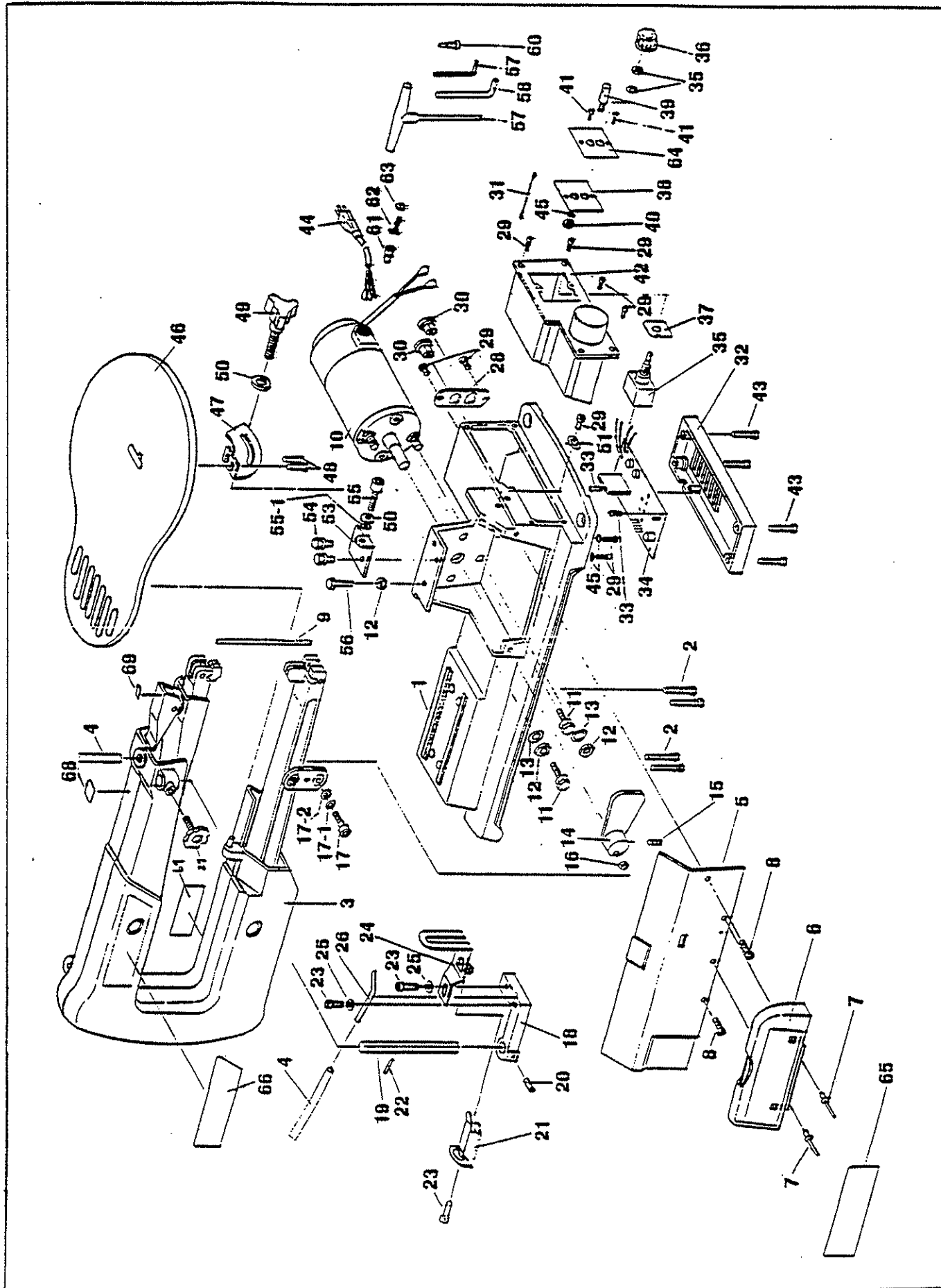


SCROLL SAW SC-162VS

FIG 1



PARTS LIST FOR AFTER SALES SERVICE

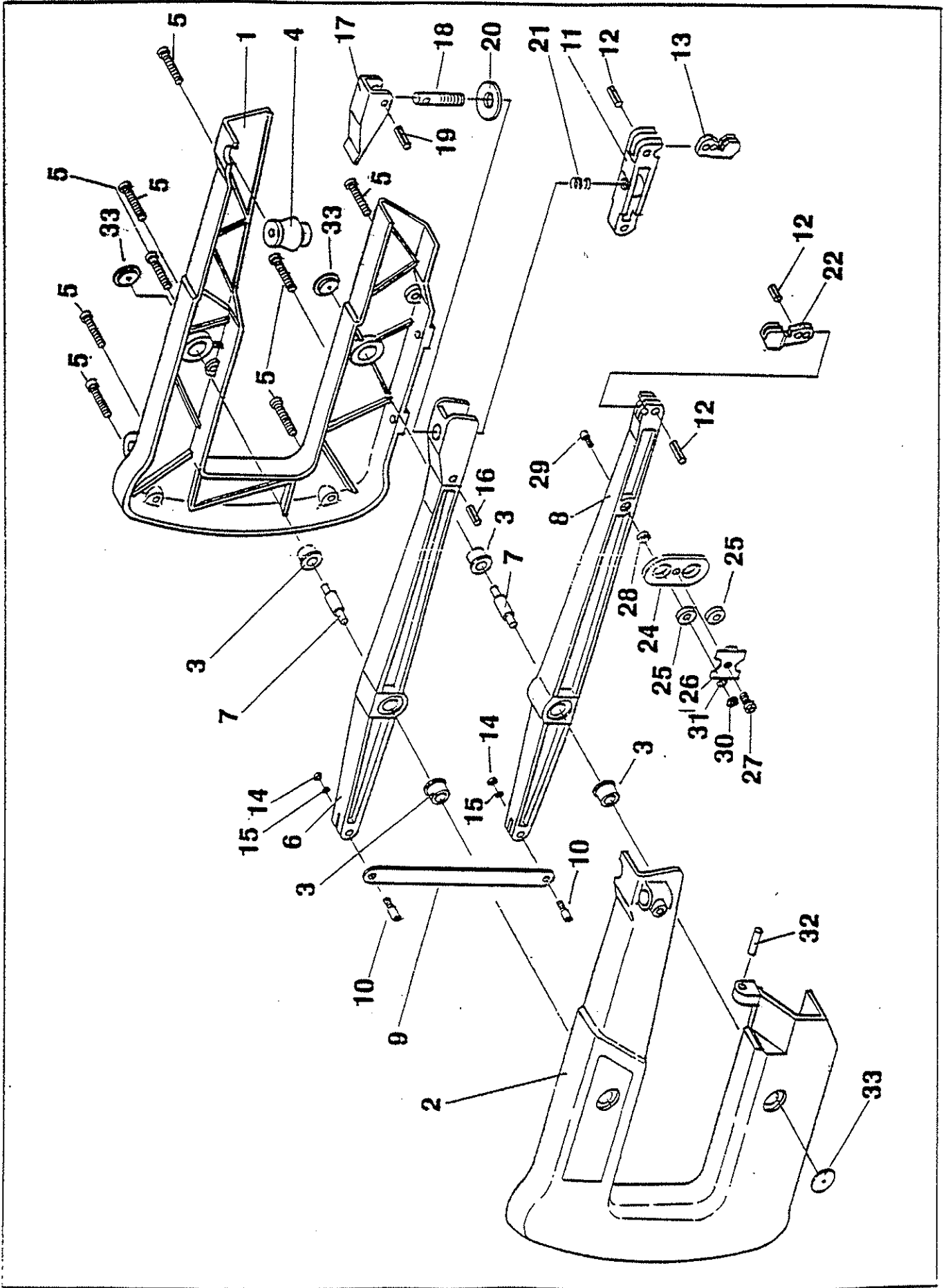
MODEL SC-162VS (FIGURE 1)

REF	PART NO.	DESCRIPTION	QTY	REF	PART NO.	DESCRIPTION	QTY
1	1850026	BASE	1	36	1830044	CONTROL KNOB	1
	1900111	SCREW AND WASHER	4	37	1930017	GASKET	1
	1800043	BODY	1	38	1880062	SWITCH COVER	1
4	1370024	HOSE	1	39	1120052	POST LOCK	1
5	1880057	PLATE COVER	1	40	1130256	NUT	1
6	1880058	BLADE STORAGE CASE	1	41	1130257	SCREW	2
7	1130247	PULL NAIL	2	42	1880063	SWITCH CASE	1
8	1130248	SCREW	2	43	1130258	SCREW	4
9	1640080	BLADE	1	44	1520027	CORD	1
10	1030021	MOTOR	1	45	1900118	LOCK WASHER	3
11	1900112	SCREW AND WASHER	2	46	1850027	TABLE	1
12	1130249	HEX NUT	3	47	1150103	TILT BRACKET	1
13	1900113	SPRING WASHER	2	48	1130259	SCREW	2
14	1190016	COUNTER WEIGHT	1	49	1830045	TABLE ROCK KNOB	1
15	1130250	SET SCREW	1	50	1900119	FLAT WASHER	2
16	1900114	SPACER	1	51	1190022	POINTER	1
17	1130251	HEX SOCKET BOLT	1	52			1
17-1	1900115	SPRING WASHER	1	53	1830046	SUPPORT TABLE	1
17-2	1900116	FLAT WASHER	1	54	1900120	SET SCREW & WASHER	2
18	1290011	HOLD DOWN BLOCK	1	55	1130260	HEX SOCKET BOLT	1
19	1190017	SUPPORT ROD	1	55-1	1180054	SPRING WASHER	1
20	1130252	SET SCREW	1	56	1130261	HEX HEAD SCREW	1
21	1290012	HOLD DOWN FOOT	1	57	1240170	T WRENCH	1
22	1180055	PIN SPRING	1	58	1100056	BLADE CHANGE ROD	1
23	1130253	HEX SOCKET BOLT	3	59	1240180	L HEX WRENCH	1
24	1880059	BLADE SUPPORT GUARD	1	60	1130262	PLAIN BLADE SET SCREW	1
25	1900117	FLAT WASHER	2	61			
26	1290013	DUST BLOWER	1	62			
27	1830043	KNOB	1	63			
28	1880060	BRUSHING SET COVER	1	64	1920093	SPEED LABEL	1
29	1130254	SCREW	9	65	1920094	WARNING LABEL	1
30	1560020	BUSHING	2	66	1910218	NAME PLATE LABEL	1
31		GROUNDING LINE	1	67	1920090	LABEL	1
32	1880061	BOARD COVER	1	68	1920091	DANGER LABEL	1
33	1130255	SCREW	2	69	1920092	INSTRUCTION LABEL	1
34	1830048	BOARD CONTROL	1				
35	1550037	SWITCH WASHER & NUT	1				

SERVICE NOTES:

SCROLL SAW SC-162VS

FIG 2



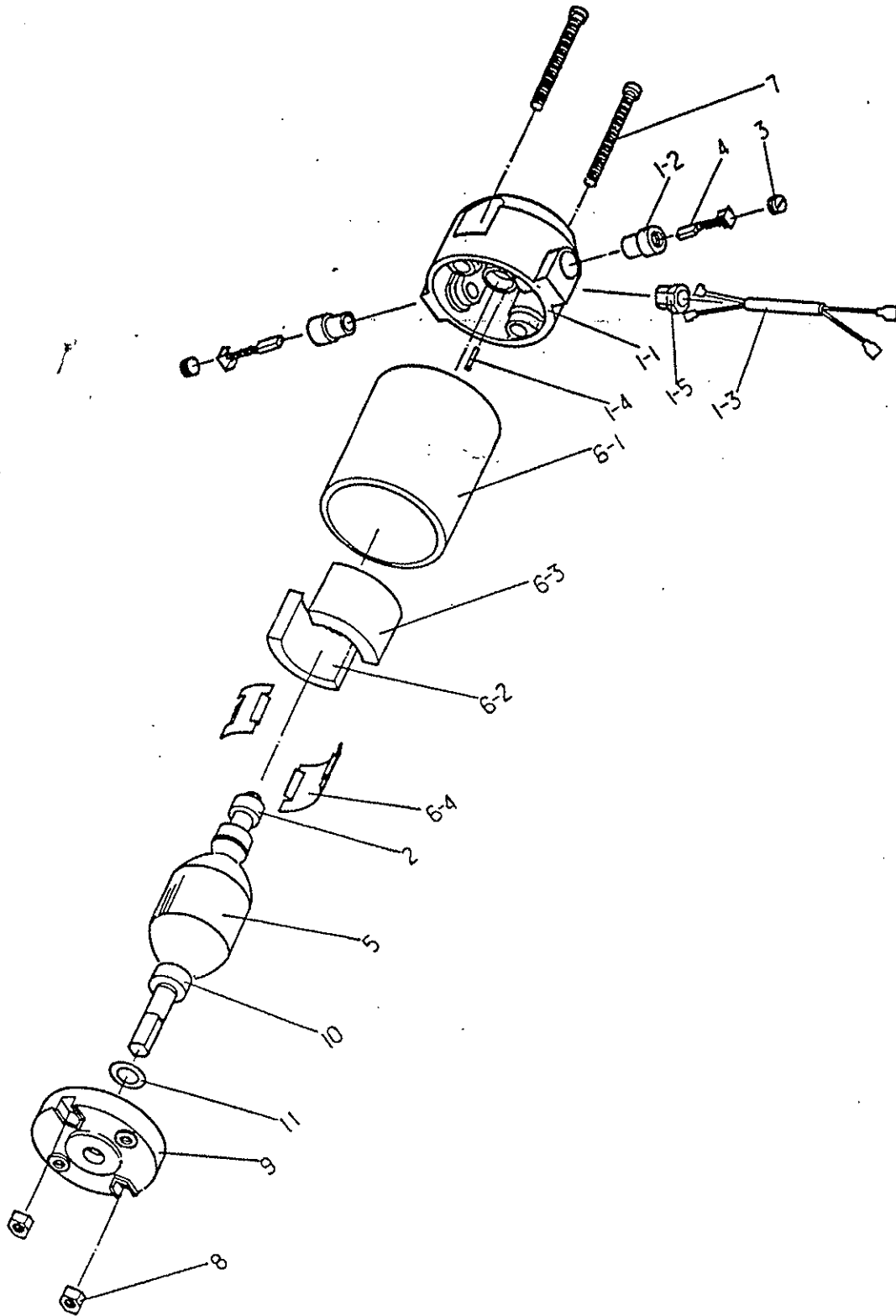
**PARTS LIST FOR AFTER SALES SERVICE
MODEL SC162VS (FIGURE 2)**

REF	PART NO.	DESCRIPTION	QTY	REF	PART NO.	DESCRIPTION	QTY
1	1880065	RIGHT ARM COVER	1				
2	1880064	LEFT ARM COVER	1				
3	1940013	BEARING FLANGE	4				
4	1360061	AIR DIAPHRAM	1				
5	1130263	COVER SET SCREW	8				
6	1190018	UPPER ARM	1				
7	1120046	ARM PIN	2				
8	1190019	LOWER ARM	1				
9	1560022	CONNECTOR	1				
10	1130264	SET SCREW	2				
11	1190020	BLADE SUPPORT	1				
12	1120047	ROLL PIN	3				
13	1150100	UPPER BLADE HOLDER	1				
14	1130265	NUT	2				
15	1900121	WASHER	2				
16	1120048	PIN	1				
17	1830047	BLADE TENSION LEVER	1				
18	1130266	TENSION ADJUSTMENT BOLT	1				
19	1120049	PIN	1				
20	1900122	FLAT WASHER	1				
21	1180055	SPRING	1				
22	1150101	LOWER BLADE HOLDER	1				
24	1190021	ARM LINK	1				
25	1750008	BEARING	2				
26	1150102	BEARING FENCE	1				
27	1130267	SCREW	1				
28	1900123	SPACER	1				
29	1130271	HEX SOCKET BOLT	1				
30	1130268	NUT	1				
31	1900116	FLAT WASHER	1				
32	1120050	PIN	1				
33	1880066	ARM PIN COVER	3				

SERVICE NOTES:

SCROLL SAW SC-162VS

Fig. 3



PARTS LIST FOR AFTER SALES SERVICE MODEL SC162VS (FIGURE 3)

REF	PART NO.	DESCRIPTION	QTY	REF	PART NO.	DESCRIPTION	QTY
1	1080057	MTR. REAR COVER ASSY	1				
1	1800044	MTR. REAR COVER	1				
2	1570007	BRUSH HOLDER	2				
1-3	1520028	MOTOR CORD	1				
1-4	1120051	BEARING PIN	1				
1-5	1560023	STRAIN RELIEF	1				
2	622274001	BEARING (608ZZ)	1				
3	1570008	BRUSH COVER	1				
4	1540060	BRUSH SET (PAIR)	1				
5	1460007	ARMATURE	1				
6	1500007	MTR HSG. W FIELD ASSY	1				
6-1	1800045	MOTOR HOUSING	1				
6-2	1290014	MAGNET N	1				
6-3	1290015	MAGNET S	1				
6-4	1290016	SUPPORT MAGNET	2				
7	1130269	PAN HEAD SOCKET SCREW	2				
8	1130270	HEX NUT	2				
9	1880067	MOTOR FRONT COVER	1				
10	9826201	BEARING (620/ZZ)	1				
11	1900124	WAVE WASHER	1				

SERVICE NOTES: