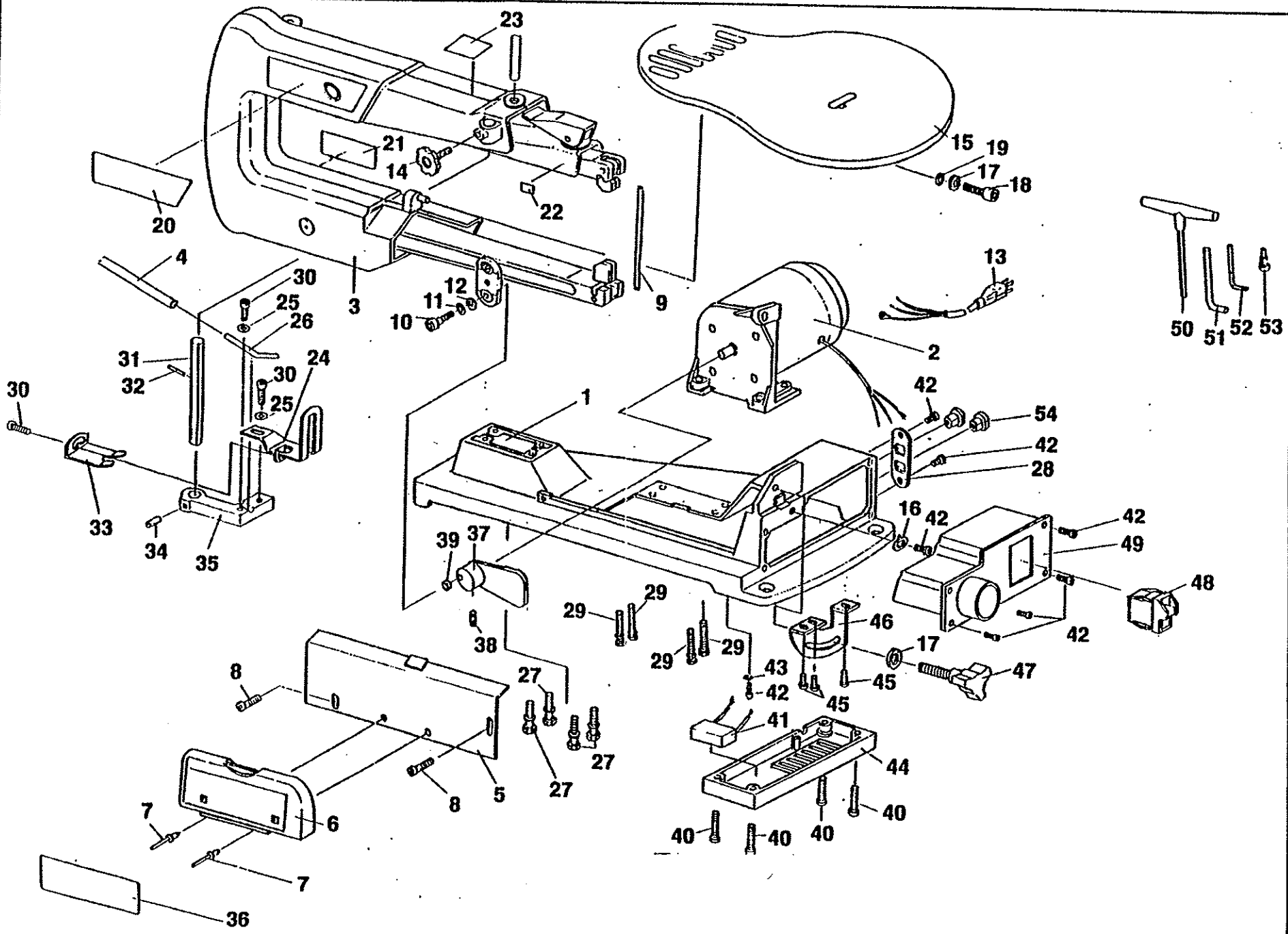


SCROLL SAW SC162



**PARTS LIST FOR AFTER SALES SERVICE
MODEL SC162 (FIGURE 1)**

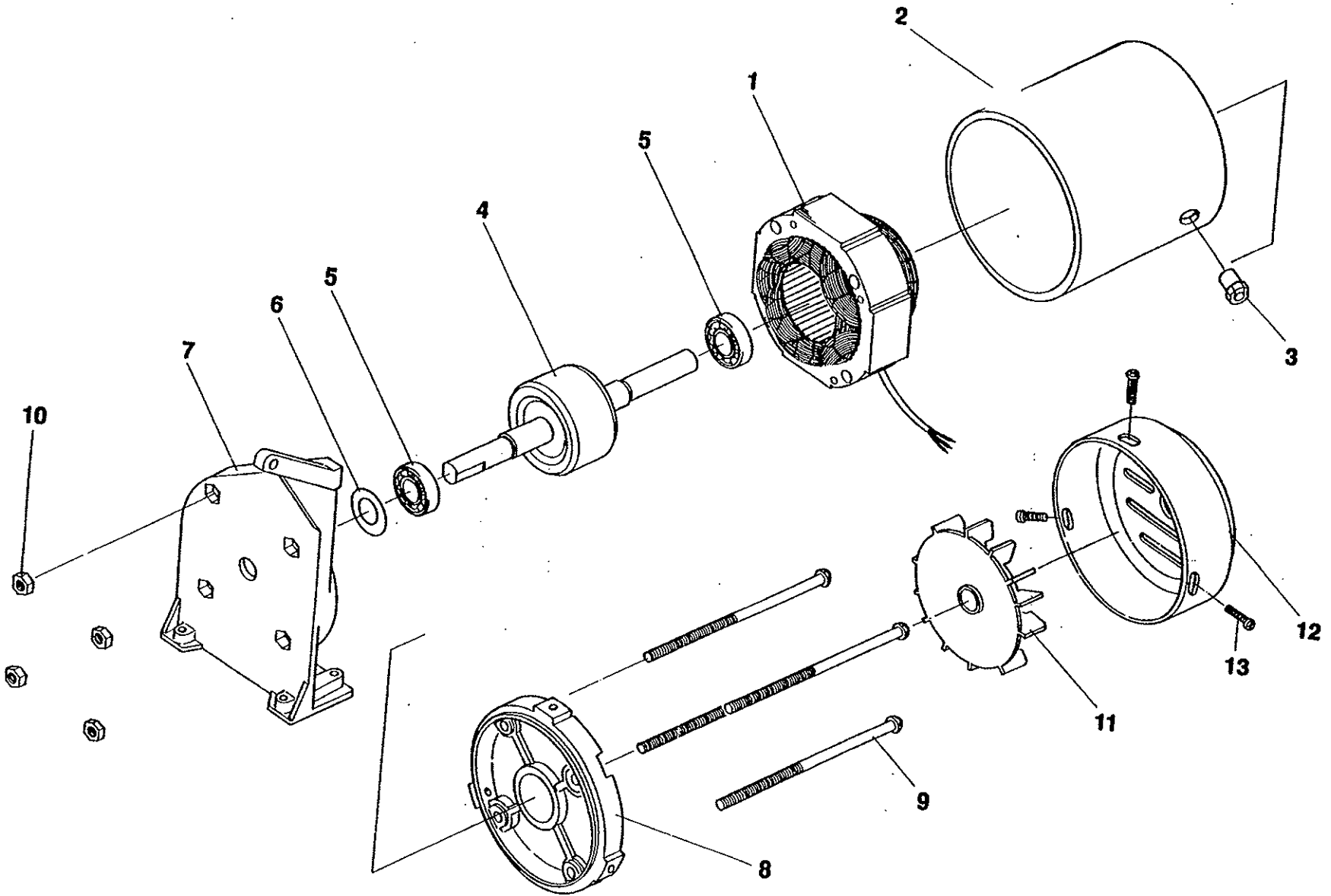
REF	PART NO.	DESCRIPTION	QTY	REF	PART NO.	DESCRIPTION	QTY
1	1850031	BASE	1	29	1130279	HEX HEAD SCREW M8X20	4
2	1030024	MOTOR	1	30	1130286	SOCKET HEAD BOLT	3
3	1800043	BODY ASSY	1	31	1190017	SUPPORT ROD	1
4	1370024	HOSE	1	32	1180053	SPRING PIN	1
5	1880069	BASE COVER	1	33	1290012	HOLD DOWN FOOT	1
6	1880058	BLADE STORAGE CASE	1	34	1130252	SET SCREW	1
7	1130247	PULL NAIL	2	35	1290011	HOLD DOWN BLOCK	1
8	1130248	SCREW	2	36	1920094	WARNING LABEL	1
9	1640080	BLADE	1	37	1150106	COUNTER WEIGHT	1
10	1130251	BOLT	1	38	1130250	SET SCREW	1
11	1900115	SPRING WASHER	1	39	1900114	SPACER	1
12	1900116	FLAT WASHER	1	40	1130285	SCREW M4X24L	4
13	1520030	POWER CORD	1	41	1550039	CONDENSOR	1
14	1830050	KNOB	1	42	1130254	SCREW M4X0.8X8L	8
15	1850027	TABLE	1	43	1900129	SPRING WASHER	1
16	1190022	POINTER	1	44	1880073	SWITCH COVER	1
17	1900119	FLAT WASHER	2	45	1130259	SCREW	3
18	1130282	HEX SOCKET BOLT	1	46	1150103	TILT BRACKET	1
19	1900133	SPRING WASHER	1	47	1830049	TABLE LOCK KNOB	1
20	1910218	NAME PLATE LABEL	1	48	1550040	SWITCH	1
21	1920090	LABEL	1	49	1360066	SWITCH BOX	1
22	1920092	INSTRUCTION LABEL	1	50	1240170	T WRENCH	1
23	1920091	DANGER LABEL	1	51	1100056	BLADE CHANGE ROD	1
24	1880059	BLADE SUPPORT GUARD	1	52	1240180	L HEX WRENCH	1
25	1900132	WASHER	2	53	1130262	PLAIN BLADE SET SCREW	1
26	1290013	DUST BLOWER	1	54	1560020	BUSHING	1
27	1900111	SCREW	4	55	4550028	SWITCH KEY (NOT SHOWN)	1
28	1880060	BUSHING SET COVER	1	*	1080063	MOTOR & BASE ASSY	1
				**	1080062	BASE COVER ASSY	1

SERVICE NOTES:

* INCLUDES REF.#S 1 AND 2

** INCLUDES REF.#S 5,6 AND 7

SCROLL SAW SC162

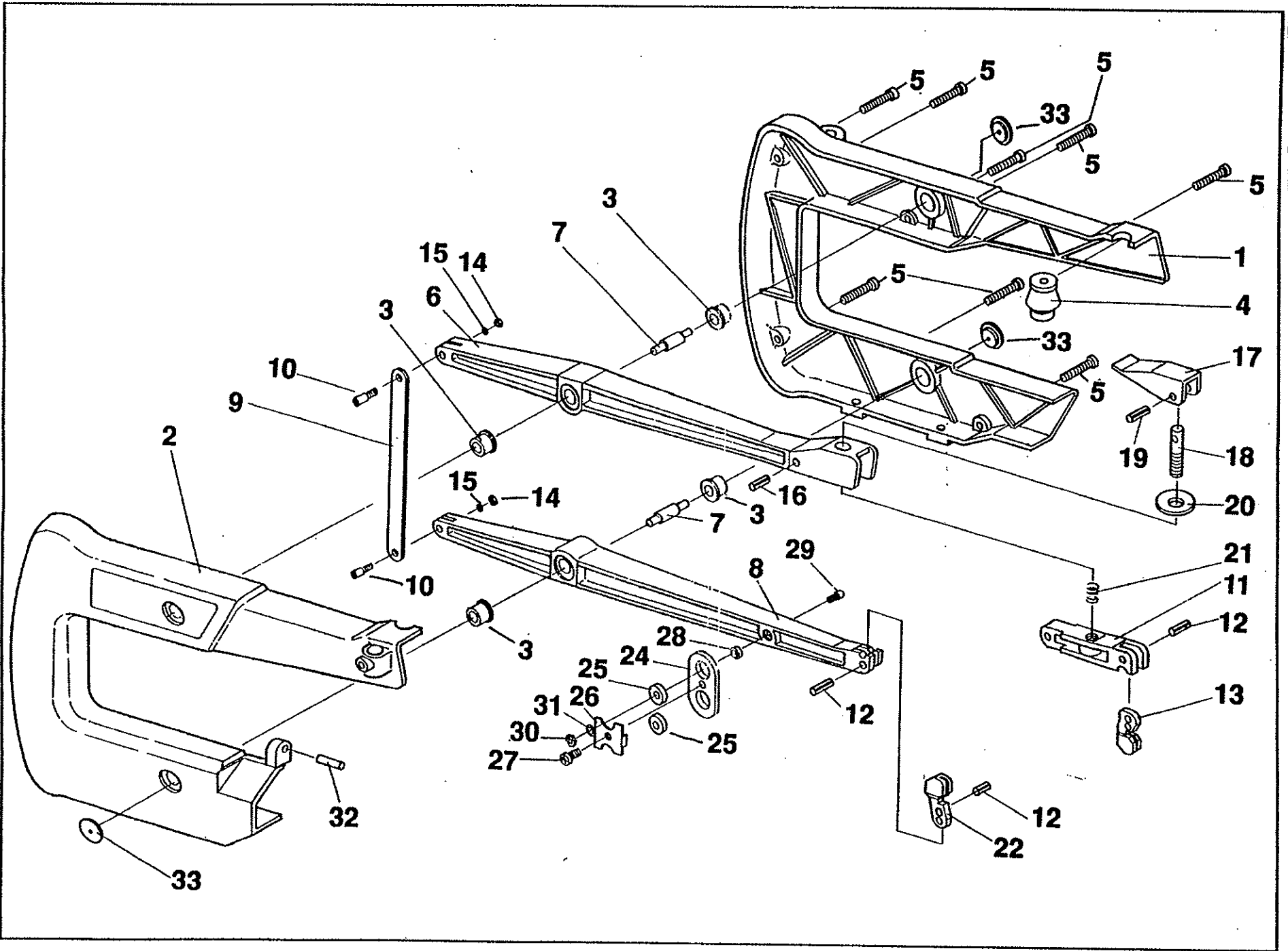


**PARTS LIST FOR AFTER SALES SERVICE
MODEL SC162 (FIGURE 3-MOTOR)**

REF	PART NO.	DESCRIPTION	QTY	REF	PART NO.	DESCRIPTION	QTY
1	1500008	FIELD	1				
2	1800047	MOTOR HOUSING	1				
3	1860024	STRAIN RELIEF	1				
4	1460006	ARMATURE	1				
5	969235005	BALL BEARING 6200ZZ	2				
6	1900214	WAVE WASHER	1				
7	1880071	FRONT MOTOR COVER	1				
8	1880072	REAR MOTOR COVER	1				
9	1130280	BOLT	4				
10	1130270	NUT	4				
11	1490009	FAN	1				
12	1880070	FAN COVER	1				

SERVICE NOTES:

SCROLL SAW SC162



**PARTS LIST FOR AFTER SALES SERVICE
MODEL SC162 (FIGURE 2)**

F	PART NO.	DESCRIPTION	QTY	REF	PART NO.	DESCRIPTION	QTY
1	1880085	RIGHT ARM COVER	1				
2	1880064	LEFT ARM COVER	1				
3	1940013	BEARING FLANGE	4				
4	1360081	AIR DIAPHRAM	1				
5	1130283	COVER SET SCREW	8				
6	1190018	UPPER ARM	1				
7	1120046	ARM PIN	2				
8	1190019	LOWER ARM	1				
9	1560022	CONNECTOR	1				
10	1130264	SET SCREW	2				
11	1190020	BLADE SUPPORT	1				
12	1120047	ROLL PIN	3				
13	1150100	UPPER BLADE HOLDER	1				
14	1130265	NUT	2				
15	1900121	WASHER	2				
16	1120048	PIN	1				
17	1830047	BLADE TENSION LEVER	1				
18	1130266	TENSION ADJUSTMENT BOLT	1				
19	1120049	PIN	1				
20	1900130	FLAT WASHER	1				
21	1180055	SPRING	1				
22	1150101	LOWER BLADE HOLDER	1				
24	1190021	ARM LINK	1				
25	750008	BEARING	2				
26	1150102	BEARING FENCE	1				
27	1130284	SCREW	1				
28	1900123	SPACER	1				
29	1130281	HEX SOCKET BOLT	1				
30	1130268	NUT	1				
31	1900131	FLAT WASHER	1				
32	1120050	PIN	1				
33	1880066	ARM PIN COVER	3				

SERVICE NOTES: