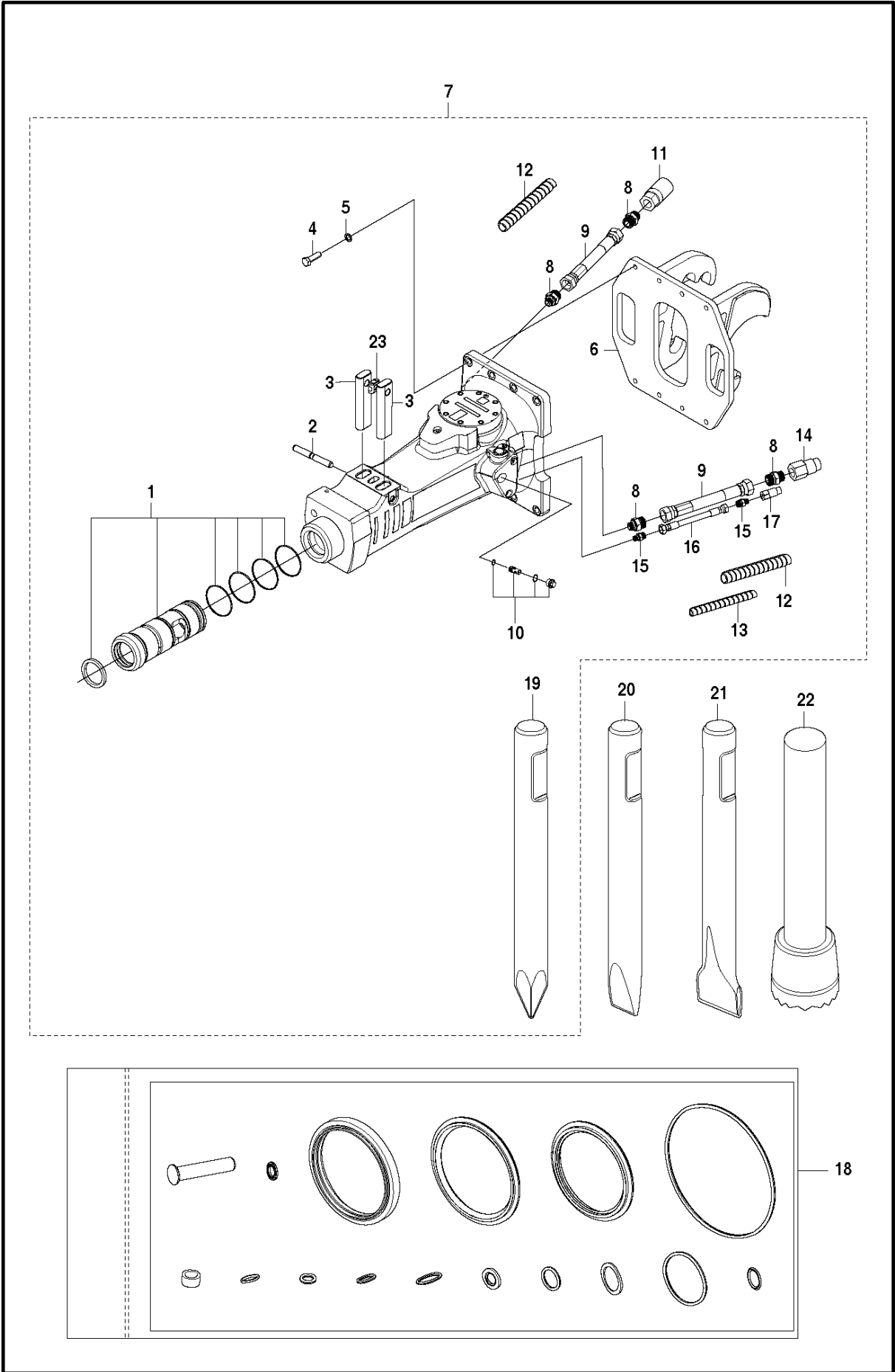




# SPARE PARTS LIST

ACCESSORIES AND TOOLS

HYDRAULIC BREAKER



## HYDRAULIC BREAKER SB302

## HYDRAULIC BREAKER

Ref	Part No	Description	Remark	QTY	KIT
1	586 49 84-01	BUSHING		1	7
2	586 49 85-01	LOCKING PIN		1	7
3	586 49 86-01	RETAINER		2	7
4	522 66 79-01	SCREW EHHM		8	7
5	522 48 73-01	WASHER		8	7
6	588 60 84-01	ADAPTER PLATE		1	7
7	586 50 13-01	HAMMER		1	
7	587 05 02-01	HAMMER	Heat Resistant Hammer	1	
8	510 26 46-01	ADAPTER		4	7
9	510 19 51-02	HOSE ASSY		2	7
10	586 51 23-01	VALVE		1	7
11	510 26 81-01	QUICK COUPLING		1	7
12	523 04 32-02	PROTECTIVE SPIRAL		2	7
13	523 04 33-02	PROTECTIVE SPIRAL		1	7
14	510 26 80-01	QUICK COUPLING		1	7
15	505 26 84-01	ADAPTER		2	7
16	510 17 44-07	HOSE ASSY		1	7
17	510 26 78-01	QUICK COUPLING		1	7
18	586 51 12-01	SEAL KIT		1	
19	586 50 10-01	TOOL	Moil Point, working length 43 cm	1	7
20	586 50 11-01	TOOL	Chisel, working length 43 cm	1	
21	586 50 12-01	TOOL	Wide Chisel, working length 44 cm	1	
22	590 15 25-03	TOOL		1	
23	592 94 65-01	LOCK		1	7