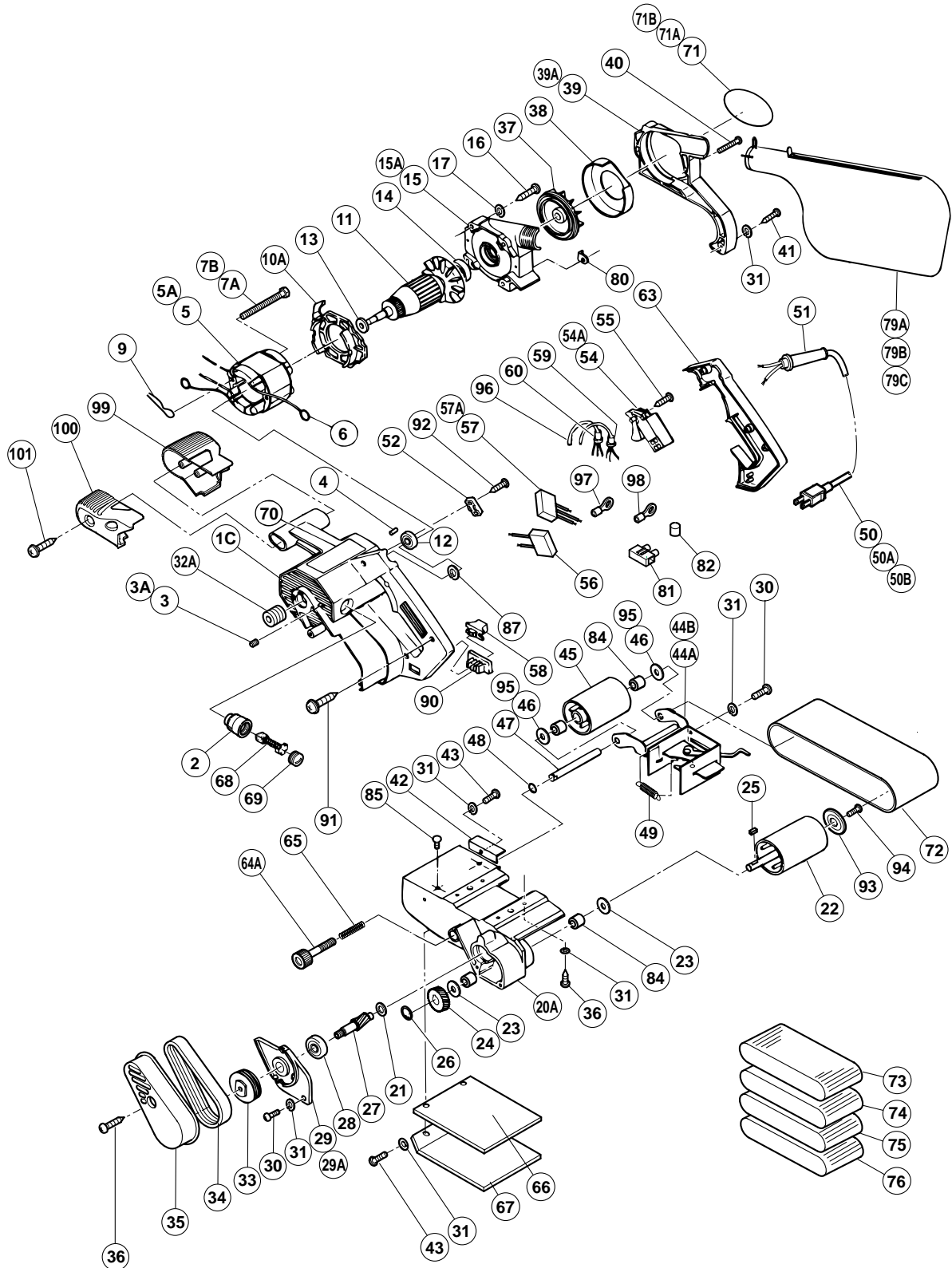


ELECTRIC TOOL PARTS LIST

■ BELT SANDER
Model SB-75

2004 • 8 • 5
(E12)



PARTS

SB-75

ITEM NO.	CODE NO.	DESCRIPTION	NO. USED	REMARKS
* 1C	322-598	HOUSING ASS'Y	1	INCLUD. 2, 3A, 7B, 90
* 1C	322-599	HOUSING ASS'Y	1	INCLUD. 2, 3A, 7B, 90 FOR AUT
* 2	958-900	BRUSH HOLDER	2	
* 2	981-586	BRUSH HOLDER	2	FOR AUT
3	949-368	SLOTTED HD. SET SCREW M4X10 (10 PCS.)	2	TILL 6. 1988
3A	938-477	HEX. SOCKET SET SCREW M5X8	2	SINCE 7. 1988
4	931-701	BEARING LOCK	1	
* 5	953-142C	STATOR ASS'Y 110V-115V	1	INCLUD. 6
* 5	953-142D	STATOR ASS'Y 120V-127V	1	INCLUD. 6
* 5	953-142E	STATOR ASS'Y 220V-230V	1	INCLUD. 6
* 5	953-142F	STATOR ASS'Y 240V	1	INCLUD. 6
* 5	953-142G	STATOR ASS'Y 230V	1	INCLUD. 6 FOR NZL
* 5	953-142M	STATOR ASS'Y 230V	1	INCLUD. 6 FOR SAF
* 5	953-142K	STATOR ASS'Y 110V	1	INCLUD. 6 FOR GBR
* 5	953-142L	STATOR ASS'Y 115V	1	INCLUD. 6 FOR USA
* 5	340-104N	STATOR ASS'Y 240V	1	INCLUD. 6 FOR AUS
* 5A	340-104L	STATOR ASS'Y 220V-230V	1	INCLUD. 6 FOR EUROPE, GBR
* 5A	340-104M	STATOR 220V-230V	1	INCLUD. 6 FOR FRG, CHN
6	930-703	BRUSH TERMINAL	2	
7A	949-233	MACHINE SCREW M5X55 (10 PCS.)	2	TILL 6. 1980
7B	953-174	HEX. HD. TAPPING SCREW D5X55	2	SINCE 7. 1980
* 9	953-033	INTERNAL WIRE	1	
* 9	961-421Z	INTERNAL WIRE	1	FOR FIN, AUT
10A	953-185	FAN GUIDE	1	
* 11	953-145U	ARMATURE ASS'Y 110V-115V	1	INCLUD. 12-14
* 11	953-145D	ARMATURE 120V-127V	1	
* 11	953-145E	ARMATURE 220V-230V	1	
* 11	953-145F	ARMATURE 230V-240V	1	FOR KUW, NGU, AUS, FRG, FRA, FIN, NOR
12	629-VVM	BALL BEARING 629VVC2PS2L	1	
13	954-234	BEARING WASHER (B)	1	
14	620-0VV	BALL BEARING 6200VVCMP2L	1	
15	953-146	INNER COVER	1	TILL 8. 2003
15A	322-590	INNER COVER	1	SINCE 9. 2003
16	957-580	TAPPING SCREW D5X30	4	
17	949-454	SPRING WASHER M5 (10 PCS.)	4	
* 20A	322-588	BODY ASS'Y	1	INCLUD. 21, 84
* 20A	953-176Z	BODY ASS'Y	1	INCLUD. 21, 84 FOR SWE, NOR, CHN
21	935-522	METAL	1	
* 22	953-150	DRIVE PULLEY	1	(TILL 12. 1985 FOR FRG ONLY)
* 22	953-183	DRIVE PULLEY	1	SINCE 1. 1986 FOR FRG
23	948-213	WASHER (B) D19	2	
24	953-151	GEAR	1	
25	944-109	FEATHER KEY 3X3X8	1	
26	939-540	RETAINING RING FOR D10 SHAFT (10 PCS.)	1	
27	953-152	PINION	1	
28	620-0VV	BALL BEARING 6200VVCMP2L	1	
29	953-153	GEAR COVER	1	TILL 8. 2003
29A	322-591	GEAR COVER	1	SINCE 9. 2003
30	949-218	MACHINE SCREW M4X14 (10 PCS.)	5	
31	949-453	SPRING WASHER M4 (10 PCS.)	8	
32A	987-532	PULLEY (A)	1	

PARTS

SB-75

ITEM NO.	CODE NO.	DESCRIPTION	NO. USED	REMARKS
33	953-154	PULLEY (B)	1	
34	958-874	BELT	1	
35	953-155	BELT COVER	1	
36	954-004	TAPPING SCREW D4X16	5	
37	953-053	DUST FAN	1	
38	953-156	DUST GUIDE	1	
39	953-157	DUST COVER	1	TILL 8. 2003
39A	322-589	DUST COVER	1	SINCE 9. 2003
40	949-223	MACHINE SCREW M4X25 (10 PCS.)	2	
41	956-384	TAPPING SCREW D4X20	1	
42	953-158	STRIKING GUIDE	1	
43	949-216	MACHINE SCREW M4X10 (10 PCS.)	3	
* 44A	953-159	BELT TENSIONER ASS'Y	1	INCLUD. 45-49 (TILL 12.1985 FOR FRG ONLY)
* 44B	953-182	BELT TENSIONER ASS'Y	1	INCLUD. 45-49, 95 SINCE 1.1986 FOR FRG
45	953-160	IDLE PULLEY ASS'Y	1	INCLUD. 84
46	953-161	WASHER	2	
47	953-162	SHAFT (B)	1	
48	939-540	RETAINING RING FOR D10 SHAFT (10 PCS.)	1	
49	953-163	SPRING	1	
* 50	500-201Z	CORD	1	(CORD ARMOR D10.7) FOR ASIA
* 50	500-447Z	CORD	1	(CORD ARMOR D8.2) FOR SYR
* 50	500-231Z	CORD	1	(CORD ARMOR D8.2) FOR GBR (110V)
* 50	500-234Z	CORD	1	(CORD ARMOR D8.2) FOR EUROPE, SAF
* 50	500-240Z	CORD	1	(CORD ARMOR D8.2) FOR USA
* 50	500-420Z	CORD	1	(CORD ARMOR D10.7) FOR SAU (127V)
* 50	500-423Z	CORD	1	(CORD ARMOR D8.2) FOR SAU (220V), SIN
* 50	500-439Z	CORD	1	(CORD ARMOR D8.2) FOR OCEANIA
* 50A	500-435Z	CORD	1	(CORD ARMOR D8.2) FOR GBR (230V), HKG
* 50B	500-455Z	CORD	1	(CORD ARMOR D8.2) FOR CHN
* 51	958-049	CORD ARMOR D8.2	1	
* 51	940-778	CORD ARMOR D10.7	1	
52	937-631	CORD CLIP	1	
* 54	931-573	SWITCH (2P PILLAR TYPE) W/LOCK	1	FOR GBR, HOL, DEN, FIN, SWE, AUT, NOR, ITA, ESP
* 54	953-178	SWITCH (2P PILLAR TYPE) W/SAFETY LOCK	1	FOR FRA
* 54A	956-632	SWITCH (B) (2P SCREW TYPE) W/LOCK	1	
55	954-017	TAPPING SCREW D4X12	1	
* 56	956-613	DIODE 100V-127V	1	
* 56	956-614	DIODE 200V-240V	1	
* 56	953-250P	DIODE 115V	1	FOR USA
* 57	960-283Z	NOISE SUPPRESSOR	1	FOR SUI
* 57A	994-273	NOISE SUPPRESSOR	1	
* 58	953-171	SLIDE SWITCH (1P SOLDER TYPE)	1	
* 58	953-179	SLIDE SWITCH (1P SOLDER TYPE)	1	FOR USA
* 58	310-296	SLIDE SWITCH (1P SOLDER TYPE)	1	FOR CHN
* 59	959-140	CONNECTOR 50091 (10 PCS.)	1	
* 60	959-141	CONNECTOR 50092 (10 PCS.)	1	
* 61	959-144	TERMINAL 50051 (10 PCS.)	1	
* 62	959-145	TERMINAL 50052 (10 PCS.)	2	
63	953-186	HANDLE COVER	1	
64A	319-258	ADJUSTING SCREW	1	
65	953-071	SPRING	1	

PARTS

SB-75

ITEM NO.	CODE NO.	DESCRIPTION	NO. USED	REMARKS
66	953-165	SHOE CUSHION	1	
67	953-166	SHOE PLATE	1	
68	999-043	CARBON BRUSH (1 PAIR)	2	
* 69	945-161	BRUSH CAP	2	
* 69	961-781	BRUSH CAP	2	FOR AUT
* 70		NAME PLATE	1	
* 71	957-561	HITACHI LABEL	1	TILL 8. 2003
* 71A		HITACHI LABEL	1	SINCE 9. 2003
* 71B		HITACHI LABEL	1	FOR USA
72	939-731	SANDING BELTS 76X533 WA40 (10 PCS.)	1	
73	939-732	SANDING BELTS 76X533 WA60 (10 PCS.)	1	
74	939-733	SANDING BELTS 76X533 WA80 (10 PCS.)	1	
75	939-734	SANDING BELTS 76X533 WA100 (10 PCS.)	1	
76	939-735	SANDING BELTS 76X533 WA120 (10 PCS.)	1	
* 77	942-944	CUP WASHER	2	
* 78	949-440	WASHER (BRASS) M3.5 (10 PCS.)	3	
* 79A	953-078	DUST BAG (DEEP BLUE)	1	TILL 8. 2003
* 79B	322-592	DUST BAG (GRAY)	1	SINCE 9. 2003
* 79C	323-011	DUST BAG (BLACK)	1	FOR USA
80	953-169	PLATE	1	
* 81	938-307	PILLAR TERMINAL	1	
* 82	981-373	TUBE (D)	2	
84	953-175	METAL D10X14X12	2	
* 85	949-509	RIVET D2.5X3.2 (10 PCS.)	2	
* 87	944-516	BEARING WASHER (B)	1	TILL 12. 1985
90	971-792	SLIDE SWITCH COVER	1	SINCE 1. 1986
91	956-636	TAPPING SCREW (W/WASHER) D4X25	3	
92	984-750	TAPPING SCREW (W/FLANGE) D4X16	2	
* 93	953-181	WASHER (B)	1	FOR FRG
* 94	987-201	SEAL LOCK SCREW (W/SP. WASHER) M4X10	1	FOR FRG
* 95	953-184	WASHER (B)	2	FOR FRG
* 96	960-282Z	INTERNAL WIRE (B)	1	FOR CHN
* 97	938-108	TERMINAL	1	FOR AUS
* 98	980-063	TERMINAL	2	FOR AUS
99	322-596	SUB GRIP (A)	1	
100	322-597	SUB GRIP (B)	1	
101	301-653	TAPPING SCREW (W/FLANGE) D4X20 (BLACK)	2	

OPTIONAL ACCESSORIES

ITEM NO.	CODE NO.	DESCRIPTION	NO. USED	REMARKS	
601	939-736	SANDING BELTS 76X533 WA150 (10 PCS.)	1		
602	939-737	SANDING BELTS 76X533 WA180 (10 PCS.)	1		
603	939-738	SANDING BELTS 76X533 WA240 (10 PCS.)	1		
604	939-739	SANDING BELTS 76X533 AA30 (10 PCS.)	1		
605	939-740	SANDING BELTS 76X533 AA40 (10 PCS.)	1		
606	939-741	SANDING BELTS 76X533 AA60 (10 PCS.)	1		
607	939-742	SANDING BELTS 76X533 AA80 (10 PCS.)	1		
608	939-743	SANDING BELTS 76X533 AA100 (10 PCS.)	1		
609	939-744	SANDING BELTS 76X533 AA120 (10 PCS.)	1		
610	939-745	SANDING BELTS 76X533 AA150 (10 PCS.)	1		
611	939-746	SANDING BELTS 76X533 AA180 (10 PCS.)	1		
612	939-747	SANDING BELTS 76X533 AA240 (10 PCS.)	1		
613	939-748	SANDING BELTS 76X533 AA320 (10 PCS.)	1		
614	939-749	SANDING BELTS 76X533 AA400 (10 PCS.)	1		

