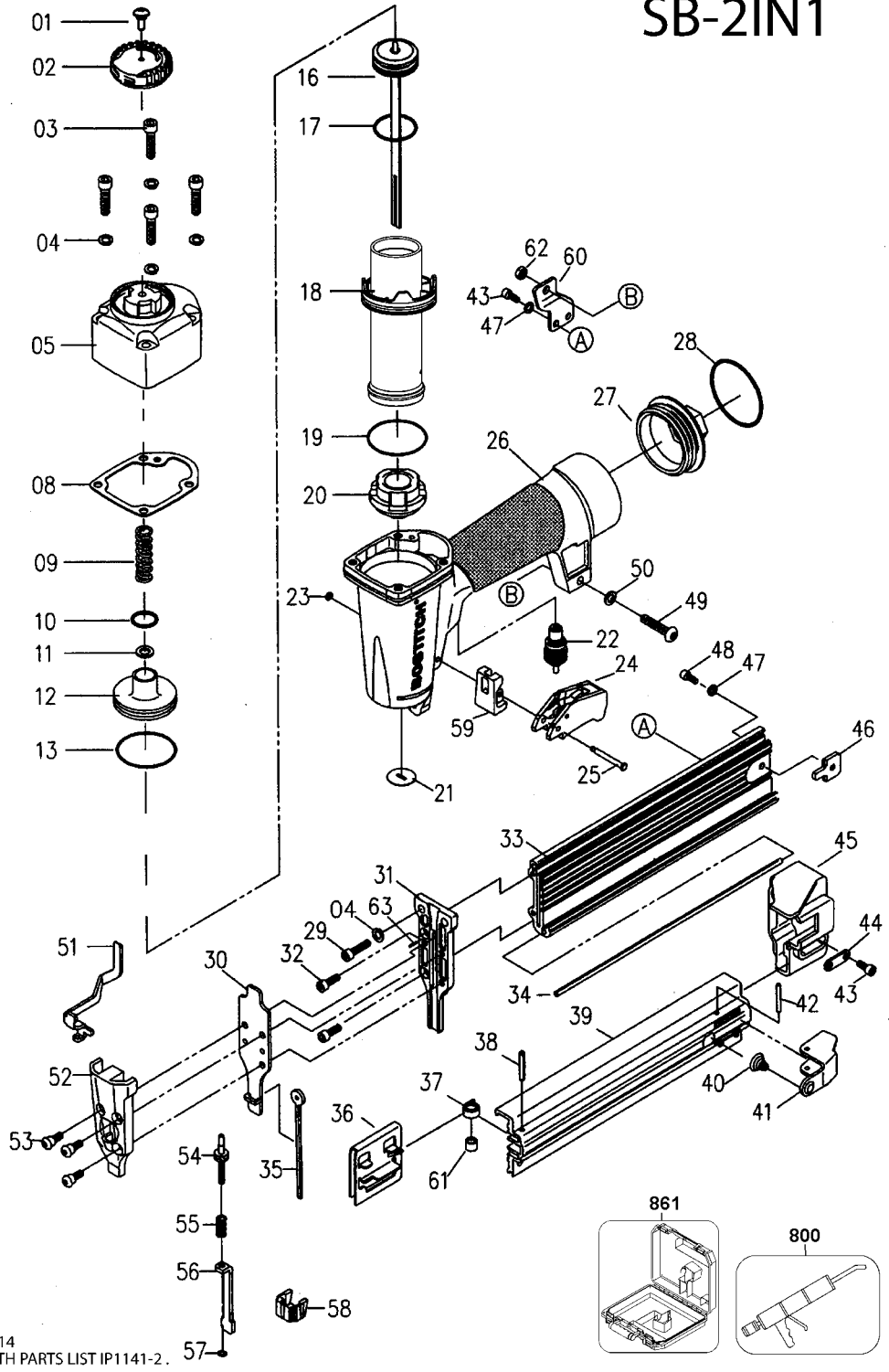


SB-2IN1



IP1141-1RB 06/14
TO BE USED WITH PARTS LIST IP1141-2.

Parts List for SB-2IN1 Type 1

| Item Number | Part Number | Description | Qty Required |
|-------------|-------------|----------------------|--------------|
| 1 | 9R206619 | SHOULDER SCREW | 1 |
| 2 | JA1162E1 | EXHAUST COVER | 1 |
| 3 | 1A105401 | HEX SOC.HD.BOLT | 4 |
| 4 | 851483-S | O-RING | 6 |
| 5 | 9R206619 | SHOULDER SCREW | 1 |
| 8 | JA1151C1 | PACKING | 1 |
| 9 | 180447 | SPRING | 1 |
| 10 | 1FP0015 | O-RING | 1 |
| 11 | 180449 | WASHER FLAT | 1 |
| 12 | 180450-S | HEAD VALVE BODY | 1 |
| 13 | 180448 | O RING | 1 |
| 16 | G0201400 | DRIVER UNIT | 1 |
| 17 | 1FZ0009 | O-RING | 1 |
| 18 | 188708 | CYLINDER | 1 |
| 19 | 851483-S | O-RING | 1 |
| 20 | JA1111O1 | BUMPER | 1 |
| 21 | JS1121I1 | JOINT GUIDE | 1 |
| 22 | FA205BA1 | TRIGGER VALVE UNIT | 1 |
| 23 | 174073 | O-RING | 1 |
| 24 | PB2081A1 | SEQUENTIAL TRIGGER U | 1 |
| 25 | JA2071W1 | STEPPED PIN | 1 |
| 26 | 9R199568 | FRAME | 1 |
| 27 | JA3612D1 | END CAP | 1 |
| 28 | 1FZ0019 | O-RING | 1 |
| 29 | 1A105201 | HEX SOC.HD.BOLT | 2 |
| 30 | G2000501 | DRIVER GUIDE COVER A | 1 |
| 31 | P0640000501 | DRIVER GUIDE | 1 |

Parts List for SB-2IN1 Type 1

| Item Number | Part Number | Description | Qty Required |
|-------------|-------------|----------------------|--------------|
| 32 | 1A104163 | HEX SOC.HD.BOLT | 2 |
| 33 | P0640000663 | MAGAZINE A | 1 |
| 34 | P0645200701 | NAIL GUIDE | 1 |
| 35 | P0645200462 | GUIDE BAR | 1 |
| 36 | P0645200801 | PUSHER | 1 |
| 37 | P0640000900 | SPRING | 1 |
| 38 | 107583 | PIN SPRING | 1 |
| 39 | P0640001001 | MAGAZINE B | 1 |
| 40 | P0645201162 | SPRING | 1 |
| 41 | P0645400432 | CLICK LEVER | 1 |
| 42 | P0645201601 | CLICK LEVER PIN | 1 |
| 43 | S0110408100 | HEX.SOC.HD.BOLT | 4 |
| 44 | JA4501I1 | END COVER PLATE | 1 |
| 45 | P0640001300 | END COVER | 1 |
| 46 | P0645201401 | REAR PLATE | 1 |
| 47 | 1D104 | SPRING WASHER | 2 |
| 48 | S0110406100 | HEX.SOC.HD.BOLT | 1 |
| 49 | S1210522100 | SCREW | 1 |
| 50 | 180569 | WASHER-PLAIN-D5X10X1 | 1 |
| 51 | JA5073I1 | SAFETY B | 1 |
| 52 | JS5082E1 | SAFETY COVER | 1 |
| 53 | JA5131I1 | SHOULDER SCREW | 3 |
| 54 | JA5161W1 | SETTING KNOB | 1 |
| 55 | JA5092S1 | SPRING | 1 |
| 56 | P0655100101 | SAFETY A | 1 |
| 57 | 180507 | E-RING | 1 |
| 58 | JV5102E1 | SAFETY PAD | 1 |

Parts List for SB-2IN1 Type 1

| Item Number | Part Number | Description | Qty Required |
|-------------|-------------|----------------------|--------------|
| 59 | JA5141E1 | SAFETY GUIDE | 1 |
| 60 | P0655100201 | TAIL HANGER | 1 |
| 61 | P0645201701 | BUSHING | 1 |
| 62 | 174065 | NUT-NYLON LOCK-M5X0. | 1 |
| 800 | 100679 | LUBE (1LB.CAN) | 1 |
| 800 | 100653 | LUBE (2CC) | 1 |
| 861 | B059102005 | TOOL CASE-SB TOOLS | 1 |