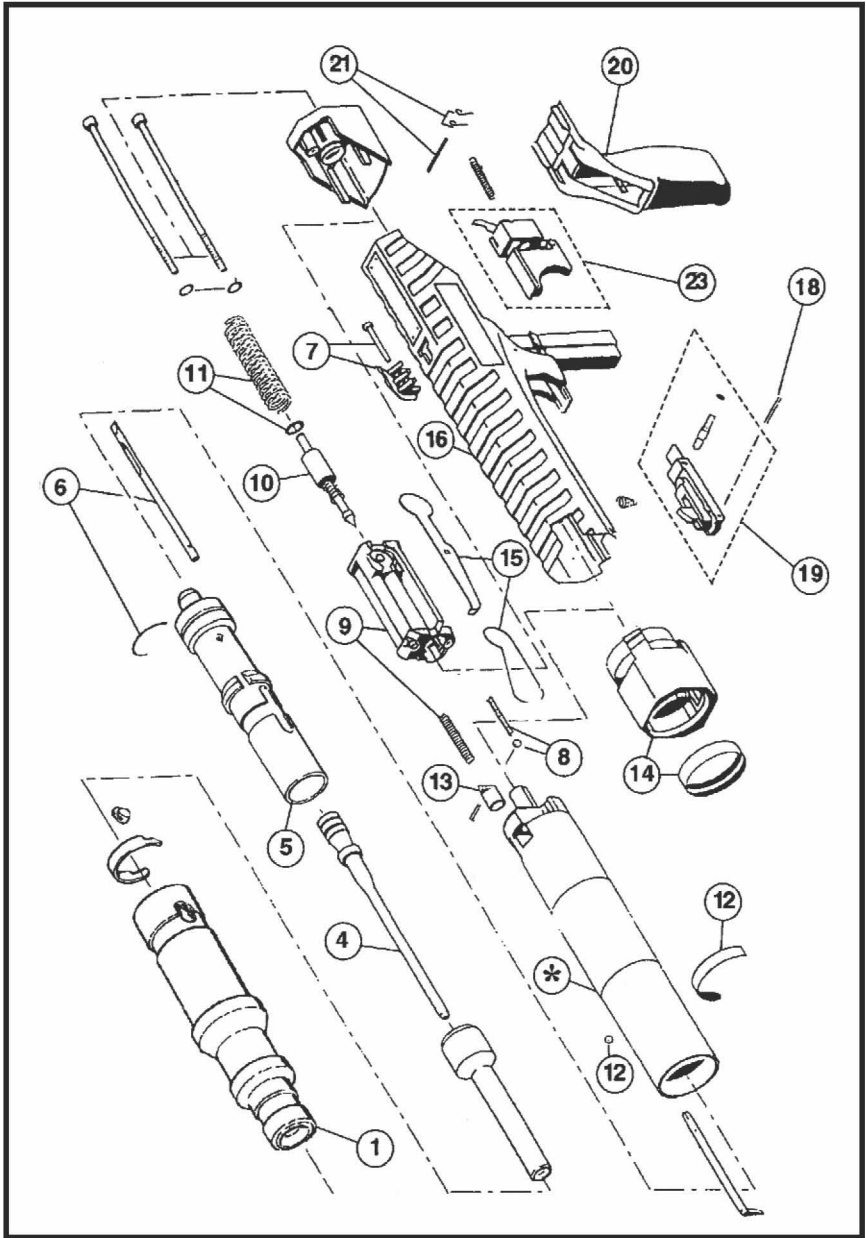


PARTS SCHEMATIC

SA270 TOOL SCHEMATIC



SA270 TOOL PARTS LIST

KEY	PART NO.	DESCRIPTION
1	27664	FRONT BARREL
4	27921	PISTON WITH RING
5	27662	REAR BARREL
6	27563A	LOAD ADVANCE ROD ASSEMBLY
7	27555A	SPOOL COVER AND ROD
8	27524A	STRIP DETENT SPRING AND BALL
9	27934A	MECHANISM HOUSING AND SPRING
10	27931	FIRING PIN ASSEMBLY
11	27578A	FIRING PIN SPRING AND WASHER
12	27552A	BARREL DETENT CLIP ASSEMBLY
14	27930A	FRONT HOUSING AND RETAINING RING
15	27527A	ADVANCE LEVER AND SPRING
16	27952	OUTER HOUSING
19	27923	PAWL HOUSING
20	27532	RUBBER HANDLE
21	27516A	TRIGGER MECHANISM PIN & SPRING
23	27608	TRIGGER ASSEMBLY
25	27580	SPALL GUARD (NOT SHOWN)

* The receiver weldment is not available as a spare part