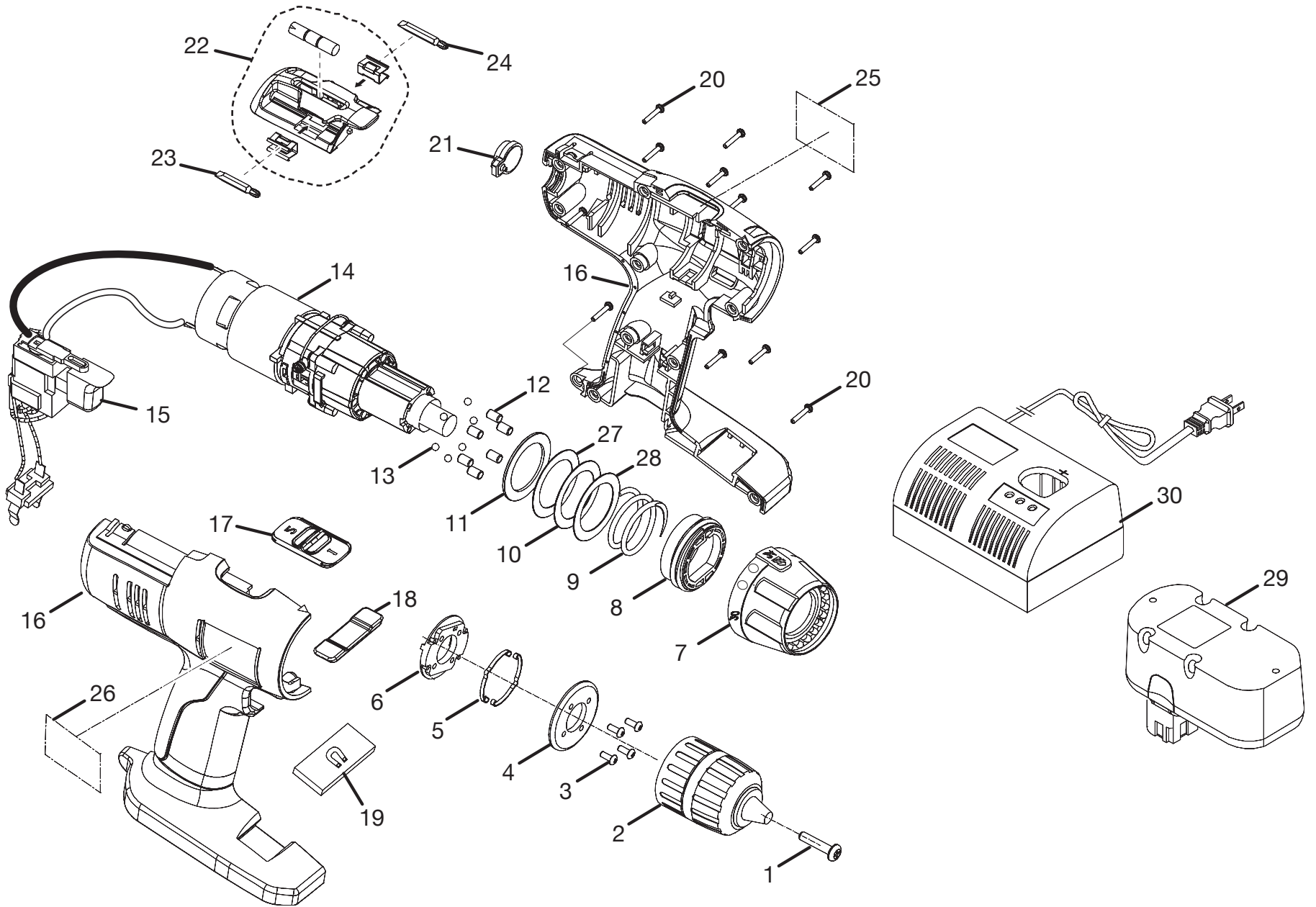


RYOBI 3/8 in. 12 VOLT CORDLESS DRILL - MODEL NO. SA1202



RYOBI 3/8 in. 12 VOLT CORDLESS DRILL – MODEL NO. SA1202

The model number will be found on a plate attached to the motor housing. Always mention the model number in all correspondence regarding your **RYOBI CORDLESS DRILL** or when ordering repair parts.

PARTS LIST

KEY NO.	PART NUMBER	DESCRIPTION	QTY.	KEY NO.	PART NUMBER	DESCRIPTION	QTY.
1	6612001	* SCREW (M5 X 26 mm).....	1	16	200202023	HOUSING ASSEMBLY.....	1
2	690032011	CHUCK.....	1	17	370753001	GEAR CHANGE BUTTON.....	1
3	6620311	* SCREW (M3 X 20 mm).....	4	18	540752003	FOWARD/REVERSE SELECTOR.....	1
4	6359801	MOUNTING PLATE.....	1	19	6856905	MAGNET.....	1
5	6399201	DETENT CLIP.....	2	20	6620614	* SCREW (M3.5 X 14 mm).....	11
6	5434601	SPRING HOLDER.....	1	21	3048001	REAR LEVEL.....	1
7	300155029	CLUTCH CAP ASSEMBLY.....	1	22	300034004	BIT STORAGE AND LEVEL ASSEMBLY.....	1
8	5437201	SLEEVE.....	1	23	6782045	BIT.....	1
9	6843401	SPRING.....	1	24	6782044	BIT.....	1
10	6854701	WASHER (.2 mm).....	1	25	940237015	DATA PLATE.....	1
11	6710501	WASHER (.8 mm).....	1	26	940304026	LOGO PLATE.....	1
12	6833802	PIN.....	6	27	6711101	WASHER.....	1
13	6721901	BALL.....	6	28	6703503	WASHER.....	1
14	985193-001	MOTOR W/GEAR TRAIN ASSEMBLY.....	1	29	130147008	BATTERY PACK.....	1
15	270018007	SWITCH ASSEMBLY.....	1	30	140120005	CHARGER.....	1
				31	300912023	CARRYING CASE (NOT SHOWN).....	1
					983000-334	OPERATOR'S MANUAL	
					983000-334R	REPAIR SHEET	
					7-15-04		

* STANDARD HARDWARE ITEM – MAY BE PURCHASED LOCALLY