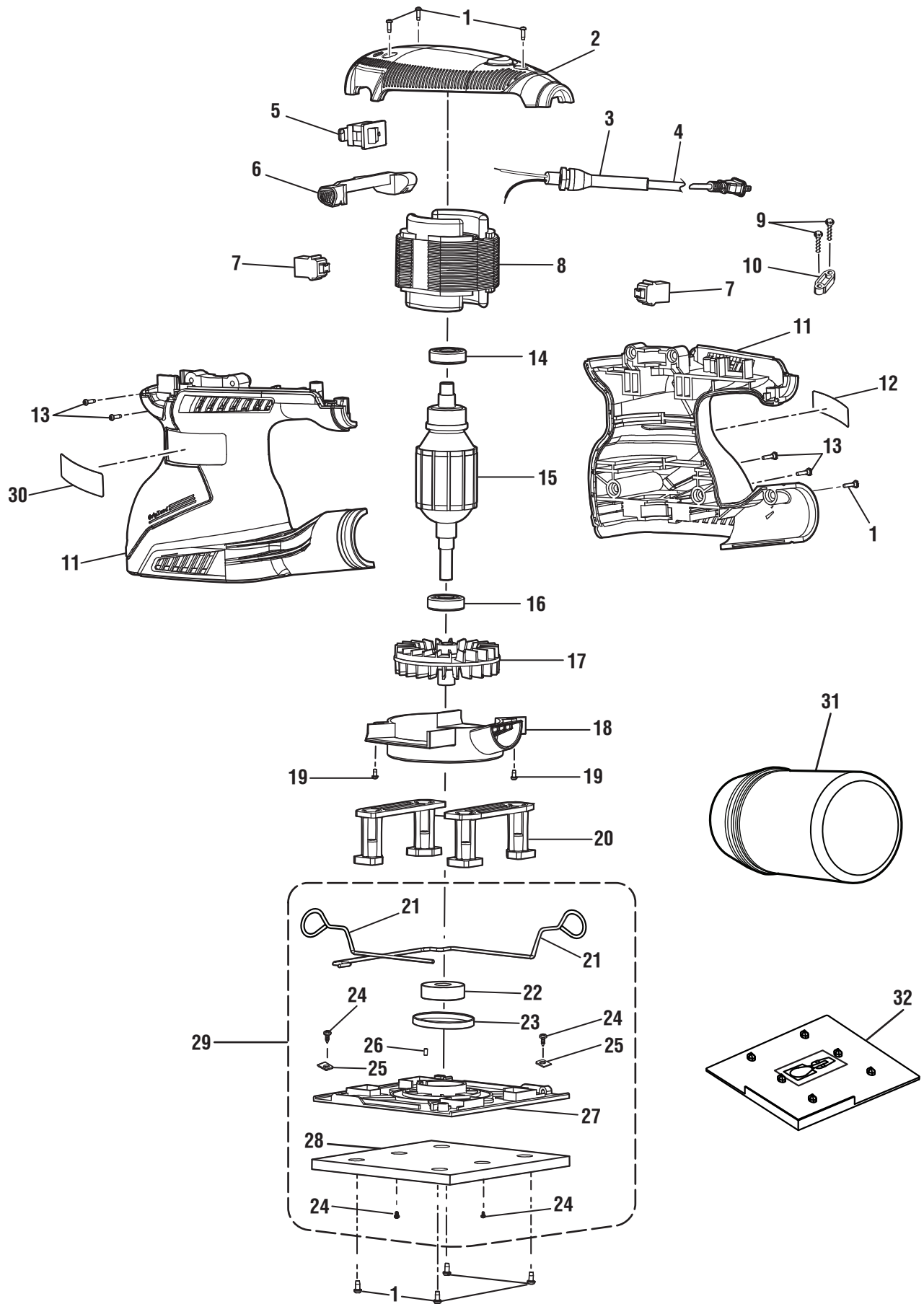


RYOBI
1/4 Sheet Sander
Double Insulated
Model No. S652DG
Repair Sheet

RYOBI 1/4 SHEET SANDER - MODEL NUMBER S652DG



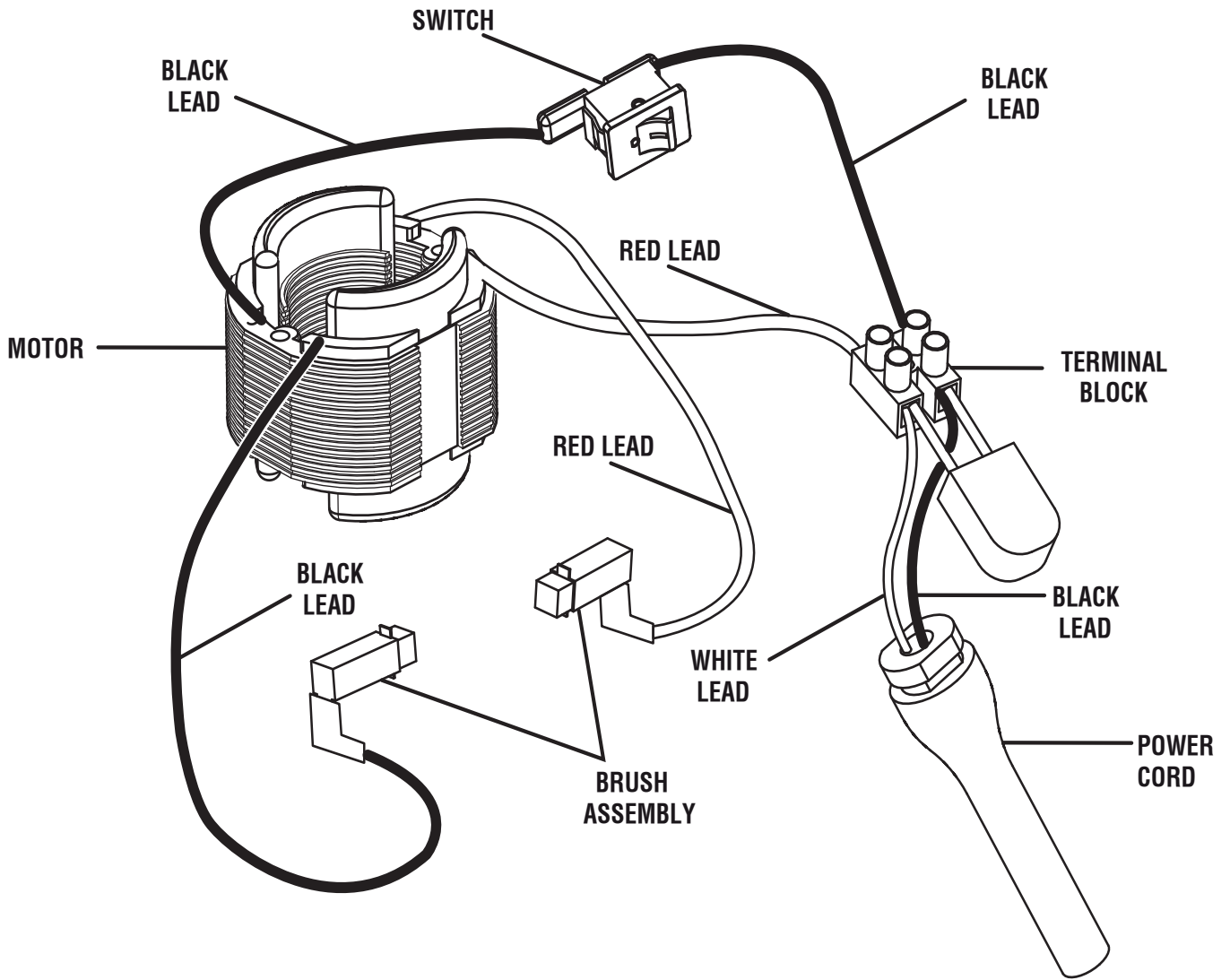
RYOBI 1/4 SHEET SANDER – MODEL NUMBER S652DG

The model number will be found on a label attached to the motor housing. Always mention the model number in all correspondence regarding your **SHEET SANDER** or when ordering repair parts.

PARTS LIST

KEY NO.	PART NUMBER	DESCRIPTION	QTY
1	039065005043	Screw (M4 x 16 mm, Pan Hd.)	8
2	039066005097	Housing Top	1
3	039066010007	Bend Relief.....	1
4	039066005093	Power Cord Assembly	1
5	039110006001	Switch	1
6	039066010002	Trigger Switch	1
7	039066005005	Brush Assembly	2
8	039066005092	Field Assembly.....	1
9	039065005044	Screw (M4 x 20 mm, Pan Hd.)	2
10	039066010003	Cord Clamp.....	1
11	039066010004	Housing Assembly	1
12	039066010015	Data Label.....	1
13	039065005042	Screw (M4 x 20 mm, Pan Hd.)	4
14	039066005013	Ball Bearing (608Rz).....	1
15	039066005012	Armature Assembly (Inc. Key Nos. 14 and 16).....	1
16	039066005015	Ball Bearing (609-2Rs)	1
17	039066005042	Fan	1
18	039066005016	Fan Baffle	1
19	039066010008	Screw (M4 x 12 mm, Pan Hd.)	2
20	030155001010	Post Cushion.....	2
21	039066005050	Spring Clamp	2
22	039176001012	Ball Bearing (6000Lu).....	1
23	039066010010	Dust Shield.....	1
24	039066010011	Screw (M4 x 7.5 mm, Pan Hd.)	4
25	039066010012	Retaining Plate	2
26	039066010009	Bumper.....	1
27	039066005022	Platen	1
28	039066005023	Pad Assembly	1
29	039066005019	Platen Assembly (Inc. Key Nos. 21-28).....	1
30	039066005026	Logo Label	1
31	039065005022	Dust Bag	1
32	039176001022	Hole Punch.....	1
	NOT SHOWN		
	039066005024	60 Grit Sandpaper.....	1
	039066005025	80 Grit Sandpaper.....	1
	039066010013	150 Grit Sandpaper.....	1
	039066010014	220 Grit Sandpaper.....	1
	039066010016	Tool Bag	1
	987000152	Operator's Manual (039066010018)	
	3-15-16		
	(Rev:02)		

RYOBI 1/4 SHEET SANDER - MODEL NUMBER S652DG



WIRING DIAGRAM