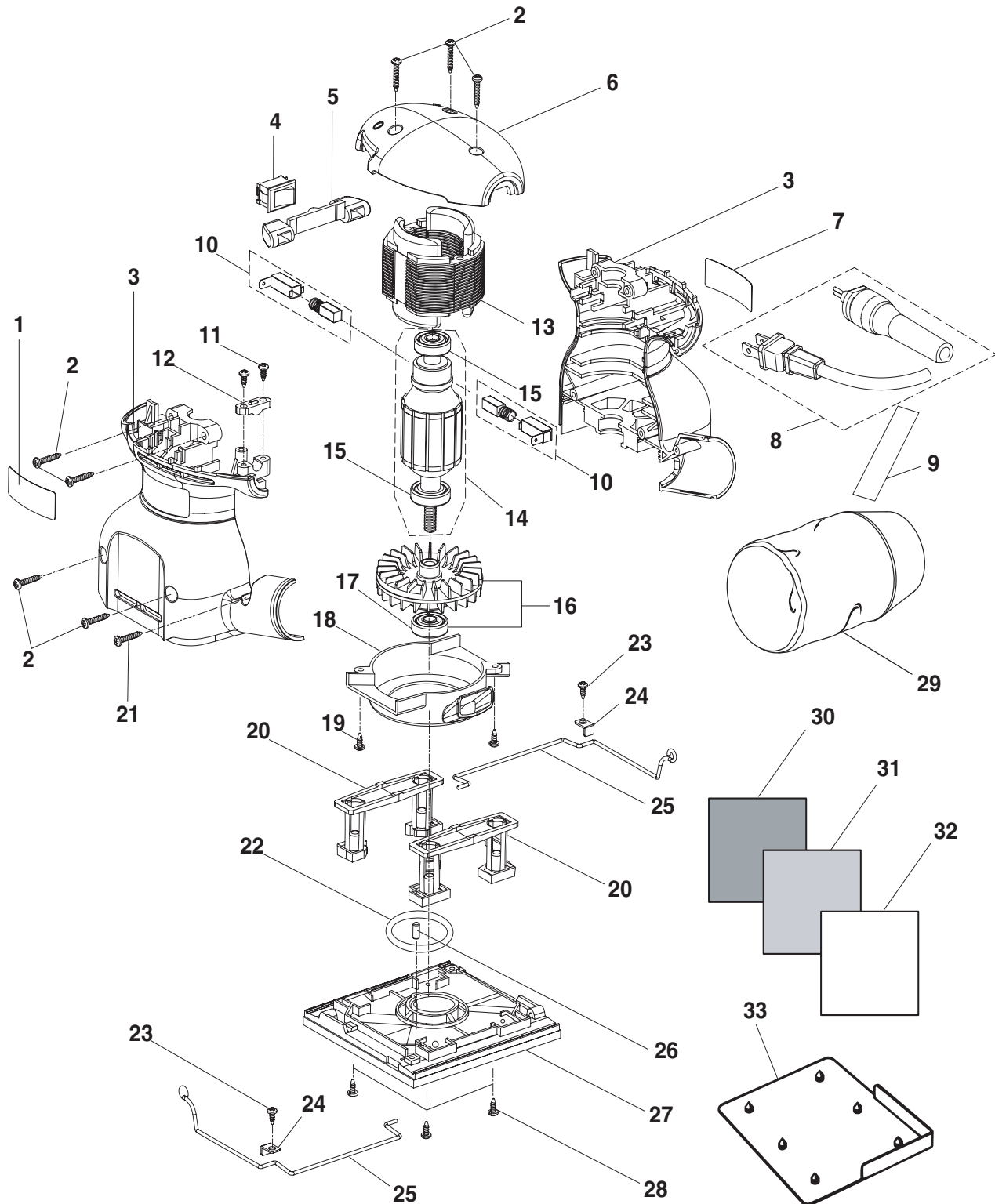


RYOBI 1/4 SHEET SANDER – MODEL NUMBER S650D



WARNING: Improper repair of a double insulated tool can result in damages to the double insulation system possibly causing electrical shock or electrocution. Any repairs requiring disassembly of your tool requires safety testing and should only be performed by a Ryobi Authorized Service Center. For the service center nearest you call 1-800-525-2579.

RYOBI 1/4 SHEET SANDER – MODEL NUMBER S650D

The model number will be found on a plate attached to the motor housing. Always mention the model number in all correspondence regarding your **1/4 SHEET SANDER** or when ordering repair parts.

PARTS LIST

KEY NO.	PART NUMBER	DESCRIPTION	QTY.
1	S650D-01	LOGO PLATE.....	1
2	S650D-02	* SCREW (M4 x 20 mm)	7
3	S650D-63	HOUSING ASSEMBLY	1
4	S650D-04	SWITCH.....	1
5	S650D-05	TRIGGER.....	1
6	S650D-06	TOP CAP.....	1
7	S650D-08	DATA PLATE	1
8	S650D-64	POWER CORD ASSEMBLY	1
9	S650D-46	CORD LABEL	1
10	S650D-11	BRUSH ASSEMBLY.....	2
11	S650D-15	* SCREW (M4 x 12 mm)	2
12	S650D-16	CORD CLAMP	1
13	S650D-17	FIELD ASSEMBLY	1
14	S650D-18	ARMATURE ASSEMBLY (INCLUDES KEY NO. 15).....	1
15	S650D-19	BALL BEARING (608-2Z)	2
16	S650D-21	FAN ASSEMBLY (INCLUDES KEY NO. 17)	1
17	S650D-23	BALL BEARING (6000-2RS)	1
18	S650D-24	FAN BAFFLE.....	1
19	S650D-25	* SCREW (M4 x 12 mm)	2
20	S650D-26	POST CUSHION.....	2
21	S650D-27	* SCREW (M3 x 20 mm)	1
22	S650D-29	DUST SHIELD	1
23	S650D-31	* SCREW (M4 x 7.5 mm)	2
24	S650D-32	RETAINING PLATE.....	2
25	S650D-33	SPRING PLATE	2
26	S650D-34	CUSHION	1
27	S650D-35	PLATEN	1
28	S650D-36	* SCREW (M4 x 12 mm)	4
29	S650D-37	DUST BAG ASSEMBLY	1
30	S650D-41	120 GRIT SAND PAPER.....	1
31	S650D-42	150 GRIT SAND PAPER.....	1
32	S650D-43	220 GRIT SAND PAPER.....	1
33	S650D-44	PUNCHER	1
	S650D-45	CARRYING CASE (NOT SHOWN).....	1
	983000-276	OPERATOR'S MANUAL	
	983000-276R	REPAIR SHEET (Rev: 00)	
	09-16-04		

*** Standard Hardware Item – May Be Purchased Locally**