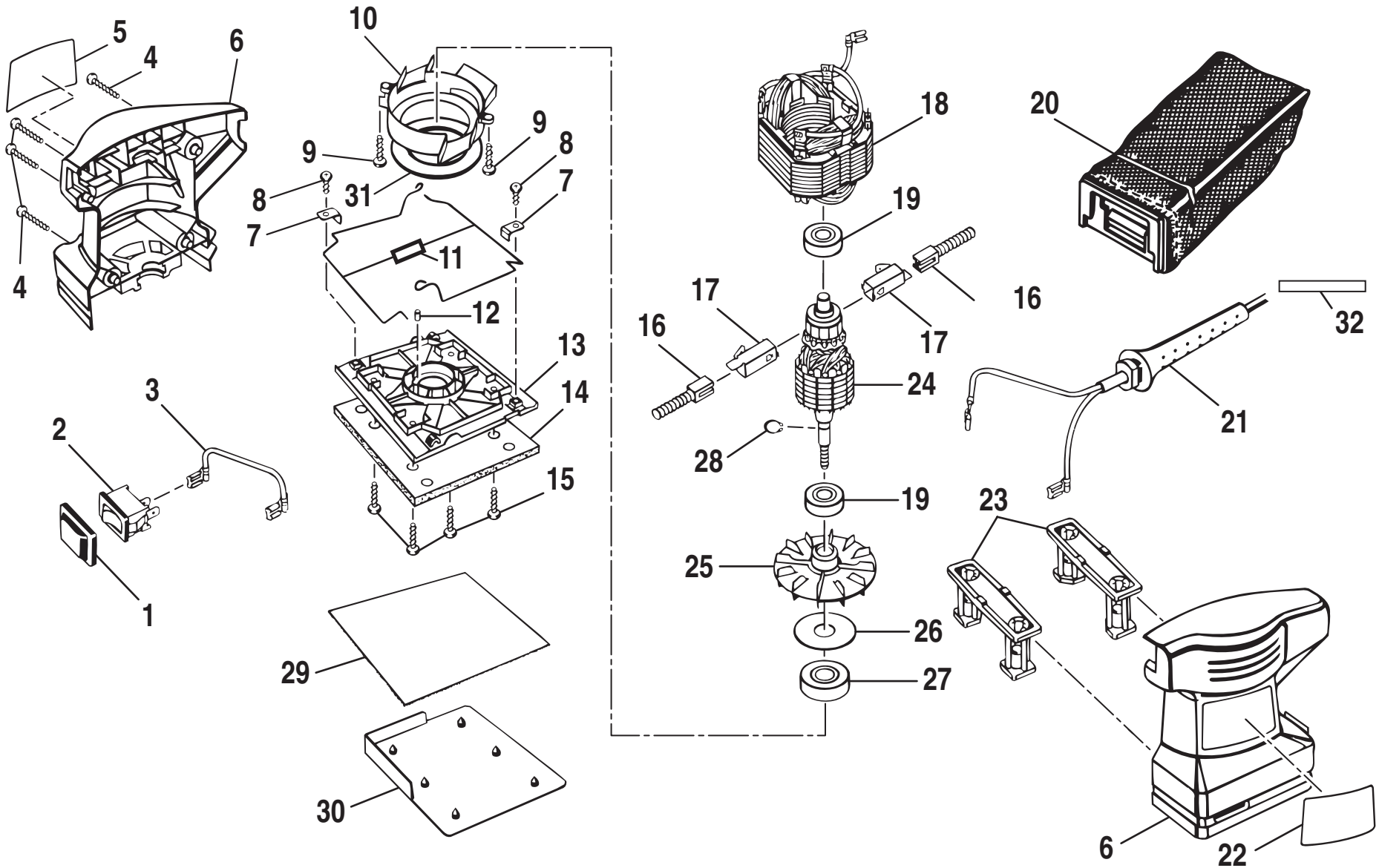


# RYOBI SANDER – MODEL NUMBER S605D8



**WARNING: IMPROPER REPAIR OF A DOUBLE INSULATED TOOL CAN RESULT IN DAMAGES TO THE DOUBLE INSULATION SYSTEM POSSIBLY CAUSING ELECTRICAL SHOCK OR ELECTROCUTION. ANY REPAIRS REQUIRING DISASSEMBLY OF YOUR TOOL REQUIRES SAFETY TESTING AND SHOULD ONLY BE PERFORMED BY A RYOBI AUTHORIZED SERVICE CENTER OR OTHER QUALIFIED SERVICE ORGANIZATION. FOR THE REPAIR CENTER NEAREST YOU CALL 1-800-323-4615.**

## RYOBI SANDER – MODEL NUMBER S605D8

The model number will be found on a plate attached to the motor housing. Always mention the model number in all correspondence regarding your **SANDER** or when ordering repair parts.

### PARTS LIST

KEY NO.	PART NUMBER	DESCRIPTION	QTY.
1	971443-002	SWITCH COVER.....	1
2	968190-001	SWITCH .....	1
3	971785-004	RED LEAD.....	1
4	968700-011	SCREW .....	4
5	982609-001	DATA PLATE .....	1
6	662636-013	HOUSING ASSEMBLY .....	1
7	031500-300	CLAMP .....	2
8	968700-004	* SCREW (6-19 X 5/16 in. PAN HD) .....	2
9	968700-007	* SCREW (6-19 X 1/2 in. PAN HD) .....	2
10	662316-001	FAN BAFFLE .....	1
11	662318-001	WIRE CLAMP .....	2
12	623019-004	RUBBER PLUG.....	1
13	662315-003	PLATEN .....	1
14	662317-003	CUSHION .....	1
15	617966-030	* SCREW (8-10 X 5/8 in. PAN HD) .....	4
16	968304-059	BRUSH ASSEMBLY .....	2
17	612255-002	BRUSH TUBE.....	2
18	971875-001	FIELD .....	1
19	971201-001	BALL BEARING.....	2
20	662514-003	DUST BAG W/ ADAPTER .....	1
21	970777-026	CORD .....	1
22	982632-001	LOGO PLATE .....	1
23	063603-332	CUSHION POST .....	2
24	662638-001	ARMATURE (INCLUDES KEY NOS. 19 AND 28).....	1
25	662637-001	FAN WITH BEARING (INCLUDES KEY NOS. 26 AND 27) .....	1
26	662314-001	FLANGED WASHER .....	1
27	989377-004	BALL BEARING.....	1
28	622167-014	RETAINING RING .....	1
29	*	SANDPAPER	
30	662447-001	PAPER PUNCH .....	1
31	662870-001	DUST SHIELD.....	1
32	973252-001	CORD LABEL.....	1
	972000-870	OWNER'S MANUAL	

\* STANDARD HARDWARE ITEM – MAY BE PURCHASED LOCALLY