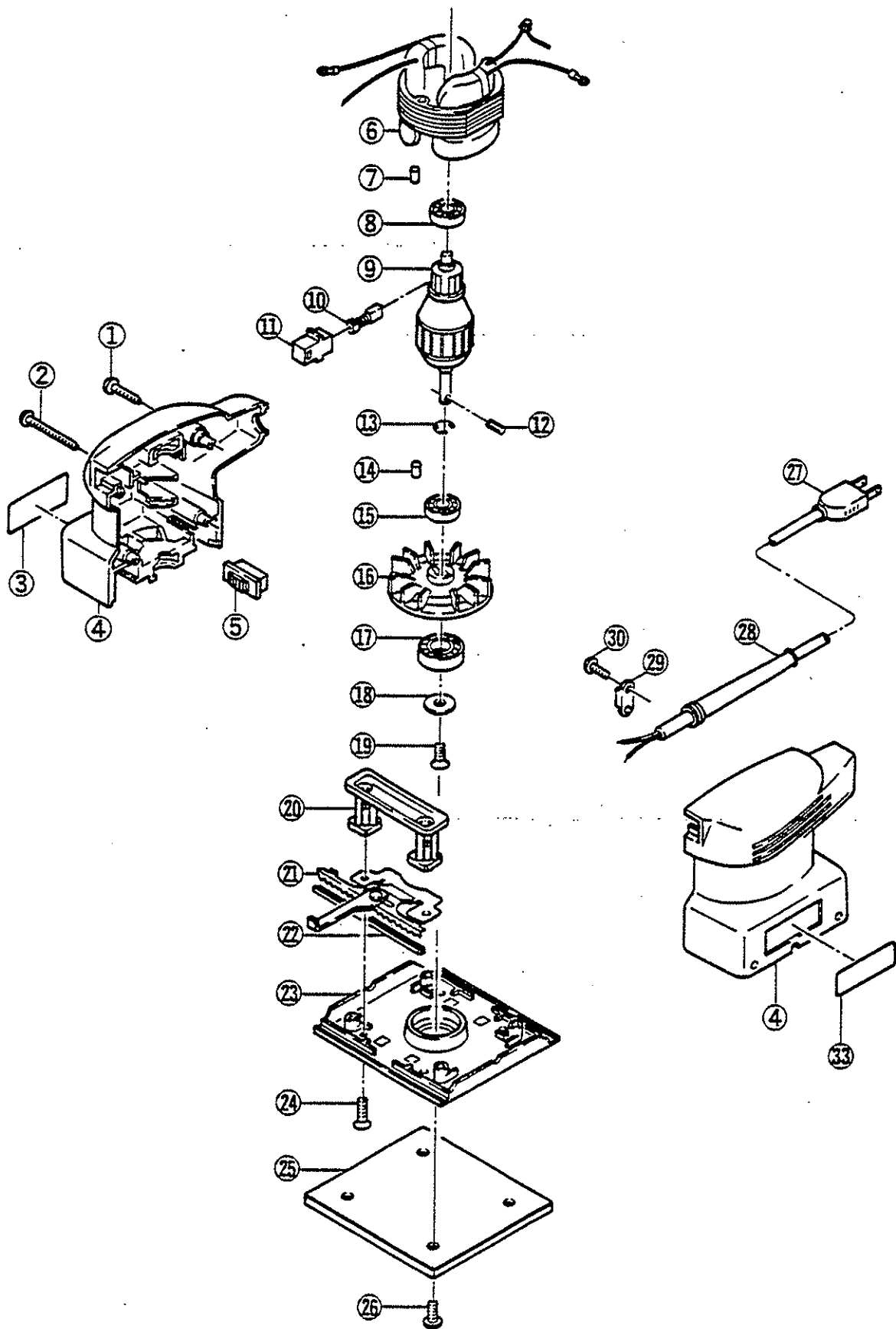


SANDER

S-600



**PARTS LIST FOR AFTER SALES SERVICE
MODEL S600**

R	PART NO.	DESCRIPTION	QTY	REF	PART NO.	DESCRIPTION	QTY
1	9060425	TAPPING SCREW (B) M4X25	2	—	9674320	LEAD WIRE	1
2	9060445	TAPPING SCREW (B) M4X45	2	—	9691030	CONTRACTION TUBE 3	1
3	6912688	NAME PLATE	1	—		* SANDPAPER	
4	6080653	MOTOR HOUSING	1		* SEE CATALOG FOR ASSORTMENT		
5	6550393	SLIDE SWITCH	1				
6	6501631	FIELD COIL	1				
7	6120126	RUBBER KNOCK	1				
8	9840627	BALL BEARING #627LLB	1				
9	6032305	ARMATURE	1				
10	6540013	CARBON BRUSH SET	1				
11	6570090	BRUSH HOLDER	2				
12	9402512	SPRING PIN	1				
13	9500600	RETAINING RING E-6	1				
14	6120126	RUBBER KNOCK	1				
15	9840627	BALL BEARING #627LLB	1				
16	6490308	FAN	1				
17	9856200	BALL BEARING #6200LLU	1				
18	6900716	WASHER	1				
19	9140410	PHILLIPS FLAT SCREW M4X10	1				
20	6360333	FOOT	2				
21	6090480	CLAMPER	2				
22	3360004	EDGING	2				
23	6320270	PAD BASE	1				
24	9160414	FLAT TAPPING SCREW (B) M4X14	4				
25	6010154	FELT PAD	1				
26	9040410	TAPPING SCREW (S) M4X10	4				
27	6520331	CORD ASS'Y AWG#18X2X2	1				
28	6560101	CORD HOLDER	1				
29	6560057	CORD CLAMP	1				
30	9060414	TAPPING SCREW (B) M4X14	2				
33	6921045	"RYOBI" MARK	1				
—	6560051	SPRING CONNECTOR	2				

SERVICE NOTES: