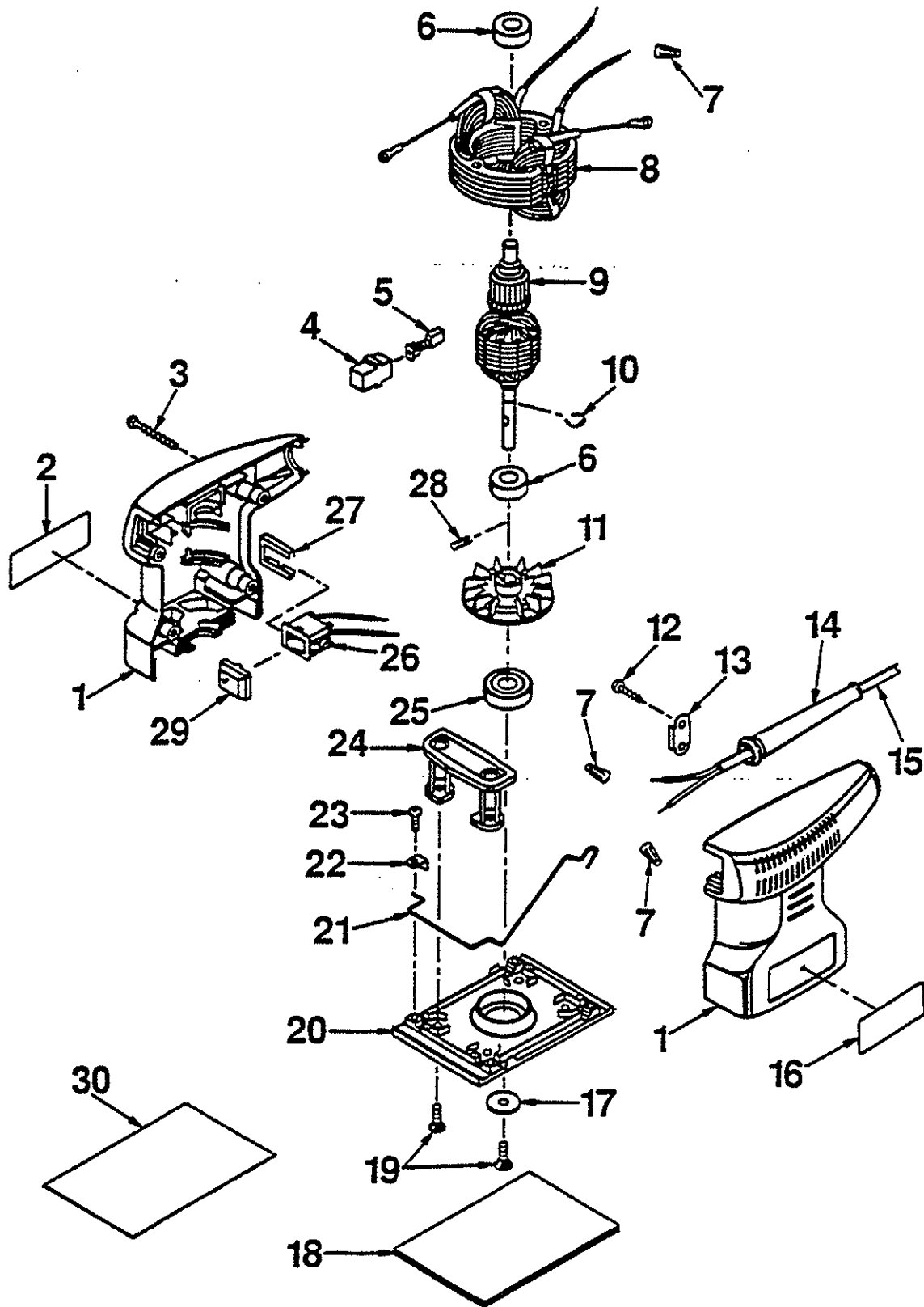


SANDER

S-550



**PARTS LIST FOR AFTER SALES SERVICE
MODEL S550**

R	PART NO.	DESCRIPTION	QTY	REF	PART NO.	DESCRIPTION	QTY
1	3070002	HOUSING ASSEMBLY	1				
2	662693001	DATA PLATE	1				
3	9060430	TAPPING SCREW (B) M4X30	4				
4	6570090	BRUSH TUBE	2				
5	6540013	BRUSH ASSEMBLY (1 PAIR)	1				
6	9840627	BALL BEARING #627LLB	2				
7	623173001	WIRE NUT	3				
8	6501972	FIELD ASSEMBLY	1				
9	6461711	ARMATURE	1				
10	9500600	RETAINING RING	1				
11	6490337	FAN	1				
12	9060414	TAPPING SCREW (B) M4X14	2				
13	6560057	CORD CLAMP	1				
14	6560101	BEND RELIEF	1				
15	6520331	CORD	1				
16	662694001	LOGO PLATE	1				
17	6900716	WASHER	1				
18	6370100	CUSHION	1				
19	9140410	PHILLIPS FLAT SCREW M4X10	5				
20	6320332	PLATEN	1				
21	6180566	PAPER CLAMP	2				
22	3150030	RETAINING PLATE	4				
23	40406	TAPPING SCREW (S) M4X6	4				
24	6360444	POST	2				
25	968305020	BALL BEARING #6001LBZ	1				
26	3060310	SWITCH	1				
27	6154856	SWITCH RETAINER	1				
28	9402512	ROLL PIN	1				
29	6370053	SWITCH COVER	1				
--	3980025	OWNERS MANUAL					

SERVICE NOTES: