

Drill Stand - 0 601 190 023 - S 500

www.powertools-aftersaleservice.com



BOSCH

Item	Part Number	Description	Illustration	Price	Quantity	Price Group
1	1 609 203 662	Base Plate	1	-,-	1	54
2	1 609 203 663	Lifting Eye Bolt	1	-,-	4	18
3	1 609 203 664	Threaded Insert	1	-,-	4	20
4	1 609 203 665	Hex Screw	1	-,-	2	11
5	1 609 203 666	Headed Bush	1	-,-	2	24
6	1 609 203 667	Handle	1	-,-	1	32
7	1 609 203 668	Position Pickup	1	-,-	1	24
8	1 601 106 902	Nameplate	1	-,-	1	-
10	1 609 203 670	Support	1	-,-	1	29
11	1 609 203 671	Support	1	-,-	1	29
12	1 609 203 672	Clamping Piece	1	-,-	1	27
14	1 609 203 674	Clamping Lever	1	-,-	1	25
16	1 609 203 676	Serrated Lock-Washer	1	-,-	2	11
17	1 609 203 677	Hex Socket Head Cap Screw	1	-,-	2	11
18	1 609 203 678	Hex Screw	1	-,-	1	16
19	1 609 203 679	Parallel Key	1	-,-	1	25
20	1 609 203 680	Hex Socket Head Cap Screw	1	-,-	2	11
21	1 609 203 681	Square Nut	1	-,-	2	11
22	1 609 203 682	Set screw	1	-,-	2	11
23	1 609 203 683	Hex Nut	1	-,-	3	11
24	1 609 203 684	Handle	1	-,-	2	15
25	1 609 203 685	Socket head cap screw DIN 84ZN-M4x25	1	-,-	2	11
26	1 609 203 686	Clamping Lever	1	-,-	1	38
27	1 609 203 687	Round-Head Bolt	1	-,-	1	13
28	1 609 203 688	Column	1	-,-	1	55
29	1 609 203 689	Tapping Screw	1	-,-	4	11
30	1 609 203 690	Strap-Shaped Handle	1	-,-	1	22
31	1 609 203 691	Guide Block	1	-,-	1	55
32	1 609 203 692	Adjusting Screw	1	-,-	4	31
33	1 609 203 693	Guide Component	1	-,-	4	15
34	1 609 203 694	Set screw	1	-,-	1	11
35	1 609 203 695	Protective Glass	1	-,-	1	39
36	1 609 203 696	Clamping Piece	1	-,-	1	38

Item	Part Number	Description	Illustration	Price	Quantity	Price Group
37	1 609 203 697	Clamping Lever	1	-,-	1	27
38	1 609 203 699	Detent Pin	1	-,-	1	11
39	1 609 203 700	Coiled Spring Pin	1	-,-	1	13
40	1 609 203 701	Compression Spring	1	-,-	1	11
41	1 609 203 702	Hex Socket Head Cap Screw	1	-,-	4	28
42	1 609 203 703	cylindrical knob BLACK	1	-,-	2	33
43	1 609 203 704	Feed Lever	1	-,-	1	43
44	1 609 203 H33	Rotary Cross 3-POLE	1	-,-	1	47
44/1	1 609 203 H33	Rotary Cross 3-POLE	1	-,-	1	47
44/10	1 609 203 705	Carrier	1	-,-	1	29
45	1 609 203 706	Locking Bolt	1	-,-	1	32
46	1 609 203 707	Toothed Shaft	1	-,-	1	28
47	1 609 203 708	Spirit Level	1	-,-	1	11
48	1 609 203 685	Socket head cap screw DIN 84ZN-M4x25	1	-,-	1	11
50	1 609 203 711	Spring retaining ring	1	-,-	2	22
51	1 609 203 712	Main Bearing	1	-,-	2	19
52	1 609 203 713	Box Level	1	-,-	1	19
53	1 609 203 777	Detent Pin	1	-,-	1	40
53/1	1 609 203 778	Spacer bushing	1	-,-	1	16
54	1 609 203 779	Threaded Plate	1	-,-	1	31
55	1 609 203 780	Clamping Piece	1	-,-	1	29
55/1	1 609 203 H46	Clamping Piece	1	-,-	1	29
56	1 907 950 006	Offset Screwdriver DIN 911-SW5 BLACK	1	-,-	1	15
57	1 609 203 B18	Location Piece	1	-,-	1	19
90	1 609 203 F74	Transport Reel	2	-,-	1	53
90/10	1 609 203 N96	Support	2	-,-	1	45
90/20	1 609 203 N97	Support	2	-,-	1	45
90/30	1 609 203 P27	Plain Washer	2	-,-	2	11
90/31	1 609 203 N98	Plain Washer	2	-,-	1	22
90/40	1 609 203 P26	Hex Screw	2	-,-	2	13
90/50	1 609 203 N99	Axle	2	-,-	1	36
90/60	1 609 203 P08	O-Ring	2	-,-	8	13
90/70	1 609 203 P28	Toothed Ring	2	-,-	2	12
90/80	1 609 203 P07	Wheel	2	-,-	2	32
90/90	1 609 203 P00	Spring retaining ring	2	-,-	2	17
701	2 609 390 310	Water Reflector	2	-,-	1	-
701/1	2 911 011 260	Hex Screw DIN 931-M8x70	2	-,-	1	10
701/2	2 609 390 325	Spacer bushing	2	-,-	1	24
701/3	2 609 390 326	Clamping Lever M 6	2	-,-	1	27
701/4	2 609 390 327	Lifting Eye Bolt M 10x80 MM	2	-,-	2	23
701/5	2 609 390 328	Support Element 22x8 MM	2	-,-	2	13
701/6	2 609 390 329	Clamping Saddle	2	-,-	1	38
701/7	2 609 390 330	Clamping Piece	2	-,-	1	28
701/8	2 911 011 262	Hex Screw DIN 931-M8x80	2	-,-	1	16
701/9	2 917 800 078	Coiled Spring Pin 3 x 14MM	2	-,-	2	10
701/10	2 609 390 331	Clamping Piece	2	-,-	1	28
701/11	2 915 061 005	Hex Nut DIN 985-M8-8	2	-,-	1	13
701/12	2 609 390 332	Clamping Saddle	2	-,-	1	38
701/13	2 609 390 333	Bent-Lever Closure	2	-,-	2	29
701/14	2 609 390 334	Seal ring	2	-,-	1	26
701/15	2 910 871 118	Countersunk-Head Screw DIN 965-M4x8MM	2	-,-	4	10
701/16	2 609 390 335	Suction Connector	2	-,-	1	52
701/18	2 609 390 337	Lid Ring	2	-,-	1	43

Item	Part Number	Description	Illustration	Price	Quantity	Price Group
704	2 608 598 111	Column	1	-,-	1	-
705	2 607 000 744	Dowel Set	2	-,-	1	-
705/1	2 607 000 746	Dowel Set	2	-,-	1	-
706	2 607 000 745	Dowel Set	2	-,-	1	-
706/1	2 607 000 747	Dowel Set	2	-,-	1	-
707	0 601 191 003	Vacuum Pump EU	1	-,-	1	-
708	2 609 390 314	Seal Kit	2	-,-	1	-
708/1	2 609 390 377	Fitting	2	-,-	1	58
708/2	2 609 390 378	Flexible Connection	2	-,-	1	41
708/3	2 609 390 376	Seal ring	2	-,-	1	32
708/11	2 609 390 359	Hose fitting 1/4"	2	-,-	1	23
708/12	2 609 390 360	Sealing disk	2	-,-	1	13
708/13	2 609 390 361	Sealing Cone	2	-,-	1	29
708/14	2 609 390 362	O-Ring 7x2,72 MM	2	-,-	1	18
708/15	2 609 390 363	Compression Spring	2	-,-	1	16
708/16	2 609 390 364	Pressure gauge	2	-,-	1	34
708/17	2 609 390 365	Push-Button	2	-,-	1	33
708/18	2 916 089 057	Locking Washer DIN 6799-4-FST	2	-,-	1	10
708/19	2 609 390 366	Rotary Handle	2	-,-	1	32
708/21	2 609 390 367	Compression Spring	2	-,-	1	23
708/22	2 609 390 368	Bleeder Plug	2	-,-	1	34
708/23	2 609 390 369	Base Body	2	-,-	1	50
708/24	2 917 800 097	Coiled Spring Pin DIN-EN/28750-4x16	2	-,-	3	10
708/25	2 609 390 370	Lock Bolt	2	-,-	1	35
708/26	2 609 390 371	Retaining Pin	2	-,-	1	30
708/27	2 609 390 372	Seal ring	2	-,-	1	24
708/28	2 609 390 373	Hose	2	-,-	1	37
708/29	2 609 390 374	Insert Nipple 1/4"	2	-,-	1	19
708/30	2 609 390 375	Hose Clamper	2	-,-	2	15
717	2 609 390 311	Plastic Disc	2	-,-	1	-
802	2 609 390 356	Packing Carrier	2	-,-	1	45
803	1 609 203 878	Holding Device	2	-,-	1	46
814	1 609 203 674	Clamping Lever	1	-,-	1	25
815	1 609 203 675	Hex Screw	1	-,-	1	13

Illustration - Type E

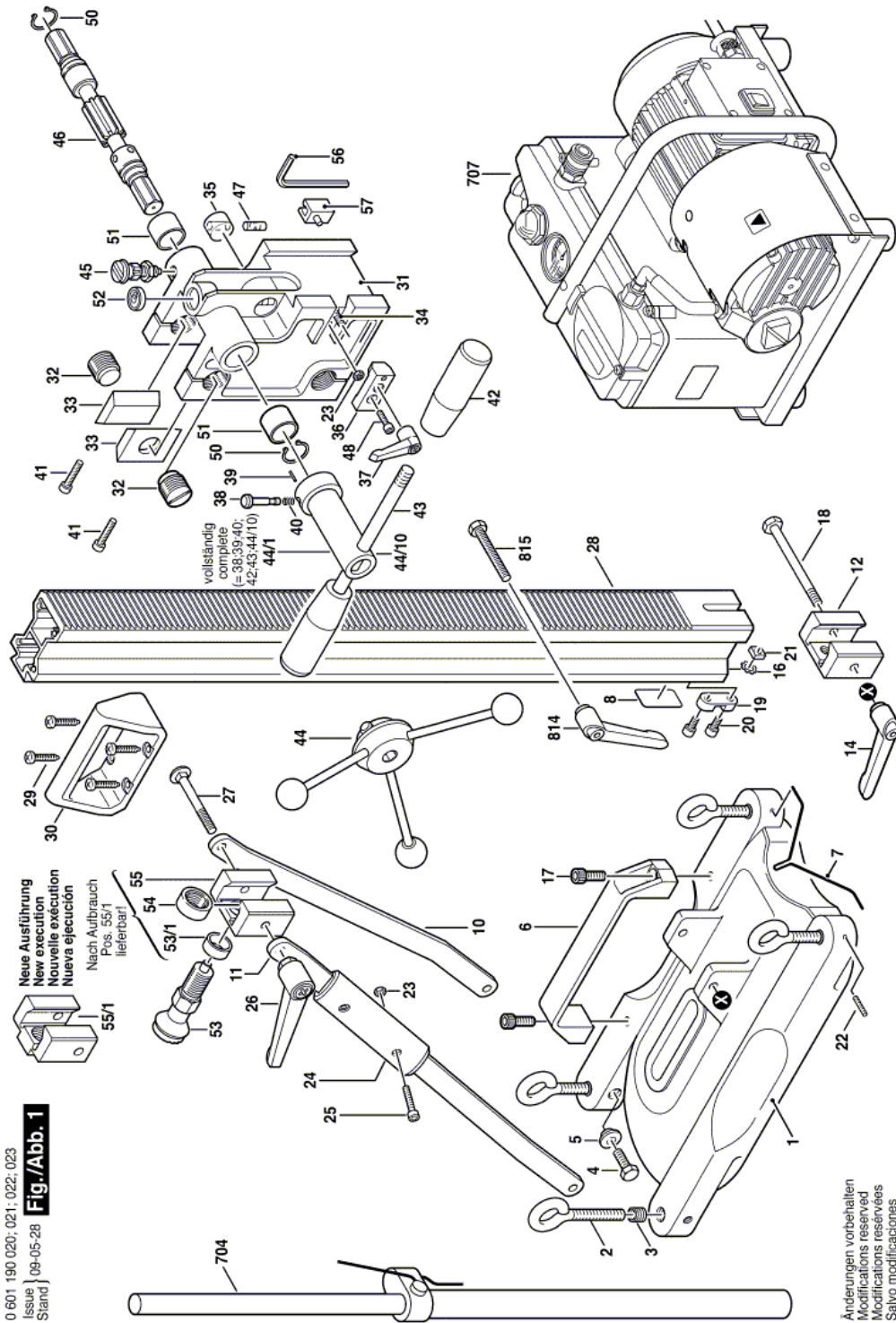
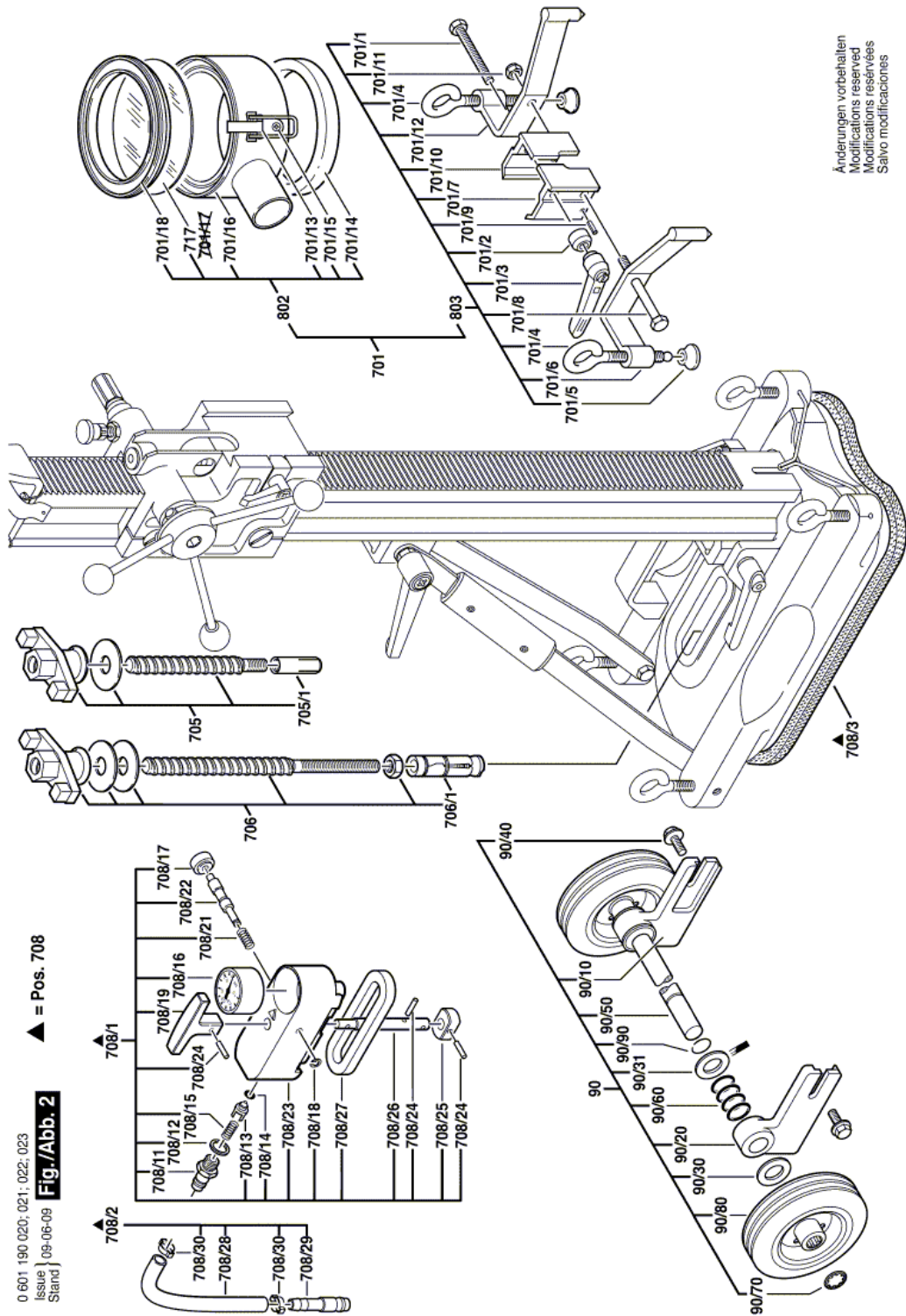


Illustration - Type E



0 601 190 020; 021; 022; 023
 (Issue) 09-06-09
 (Stand)
Fig./Abb. 2

▲ = Pos. 708

Information subject to change without further notice.