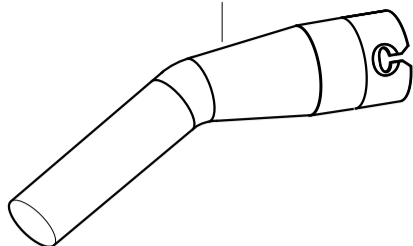
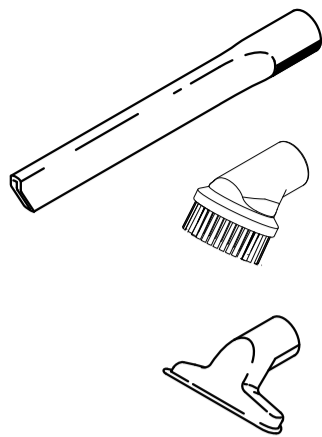


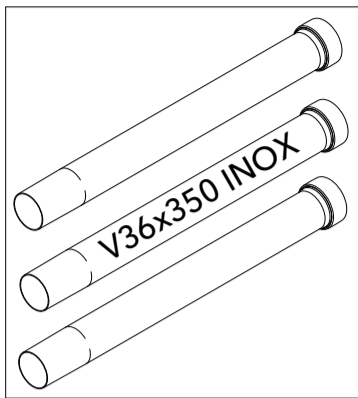
445.010



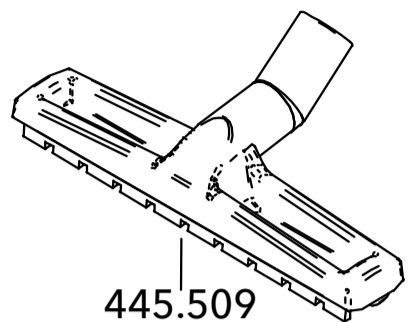
406.023



Zeichng.-Nr. 451.177-Blatt 7, Datum 07-2024
Drawing-no. 451.177-page 7, date 07-2024

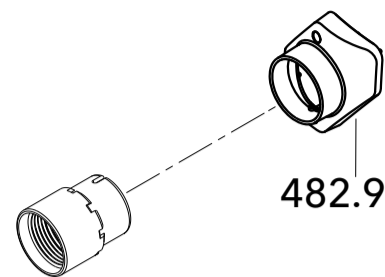


445.207



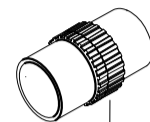
445.509

CLE 32 AS



482.951

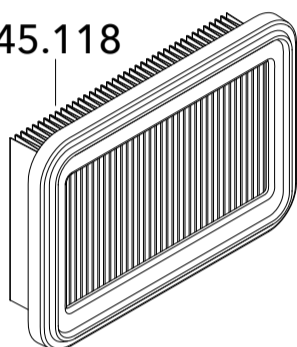
482.978
(für EH50x4m)



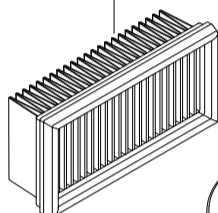
484.423
O50-O50
verdreher

445.053

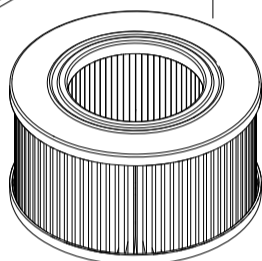
445.118



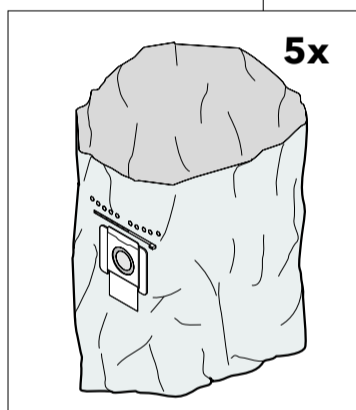
445.134



445.126

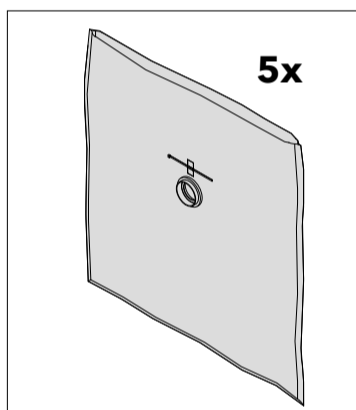


445.061



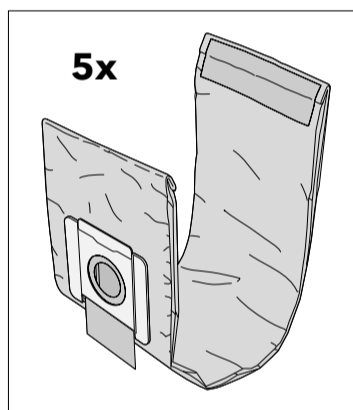
5x

5x



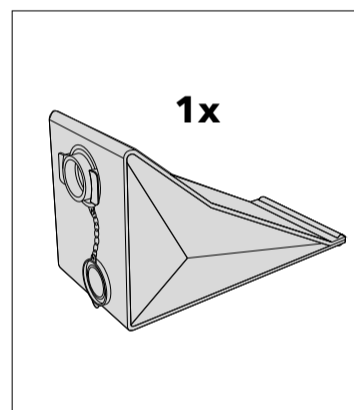
445.096

5x

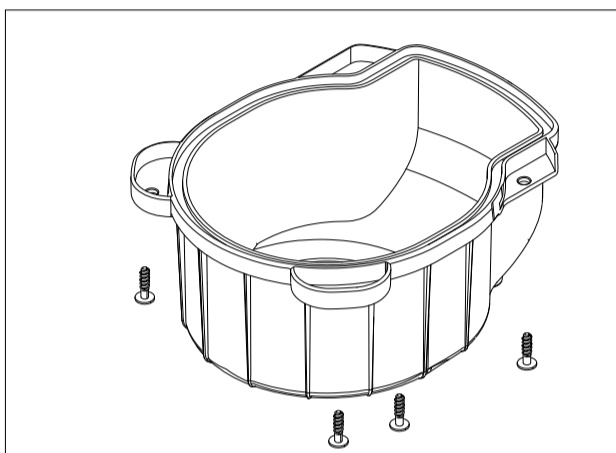


502.227

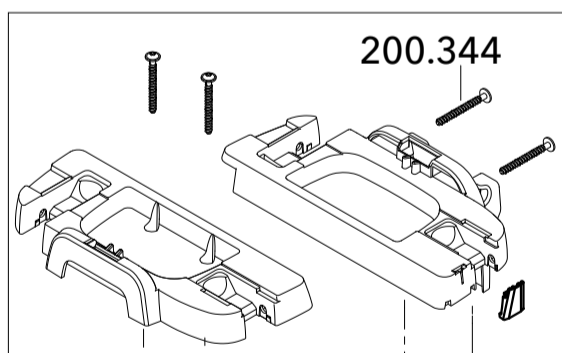
1x



445.517

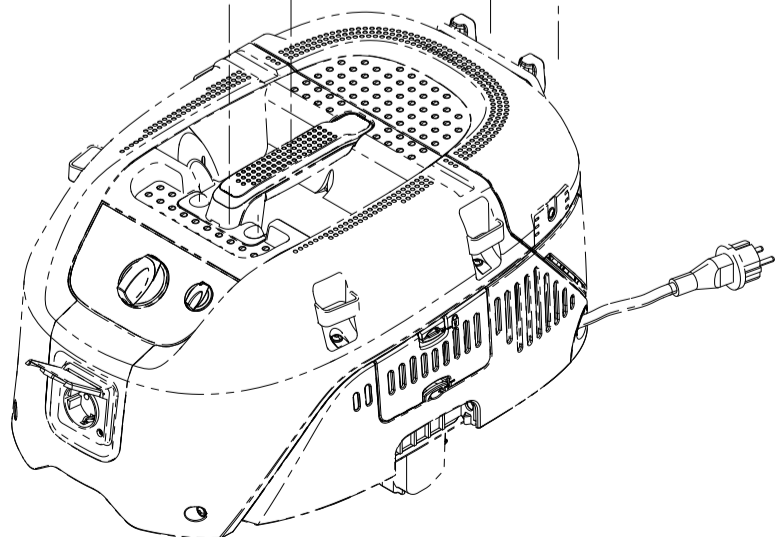


450.146



200.344

445.169



445.150

