

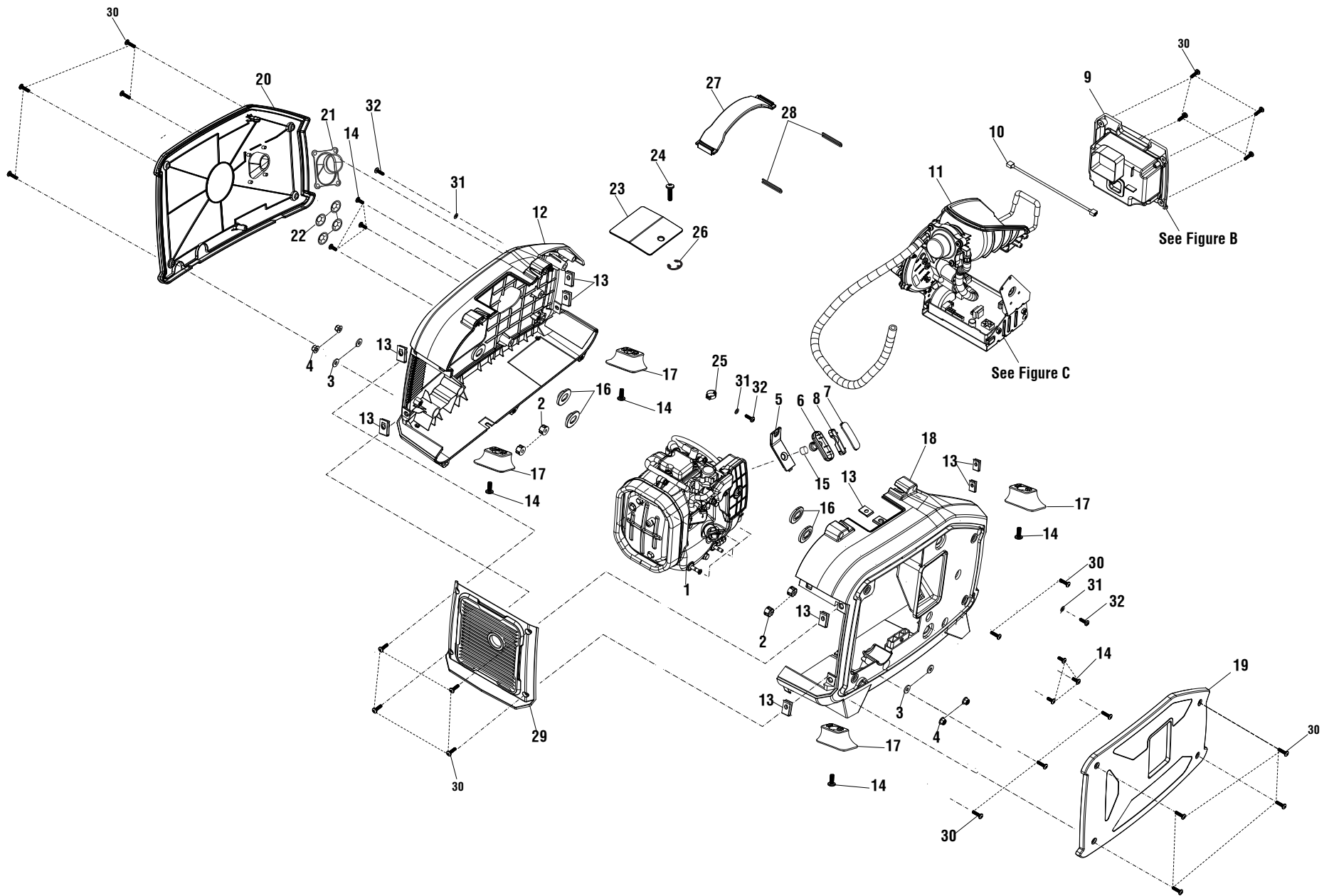
RYOBI
Item No. RYi911LP
Mfg. No. 090930337
Replacement Parts List

TECHTRONIC INDUSTRIES POWER EQUIPMENT

P.O. Box 1288
Anderson, SC 29622
Phone 1-800-860-4050
www.ryobitools.com

RYOBI DIGITAL INVERTER GENERATOR – MODEL NO. RYi911LP

FIGURE A



RYOBI DIGITAL INVERTER GENERATOR – MODEL NO. RYi911LP

The model number will be found on a label attached to motor housing. Always mention the model number in all correspondence regarding your **DIGITAL INVERTER GENERATOR** or when ordering replacement parts.

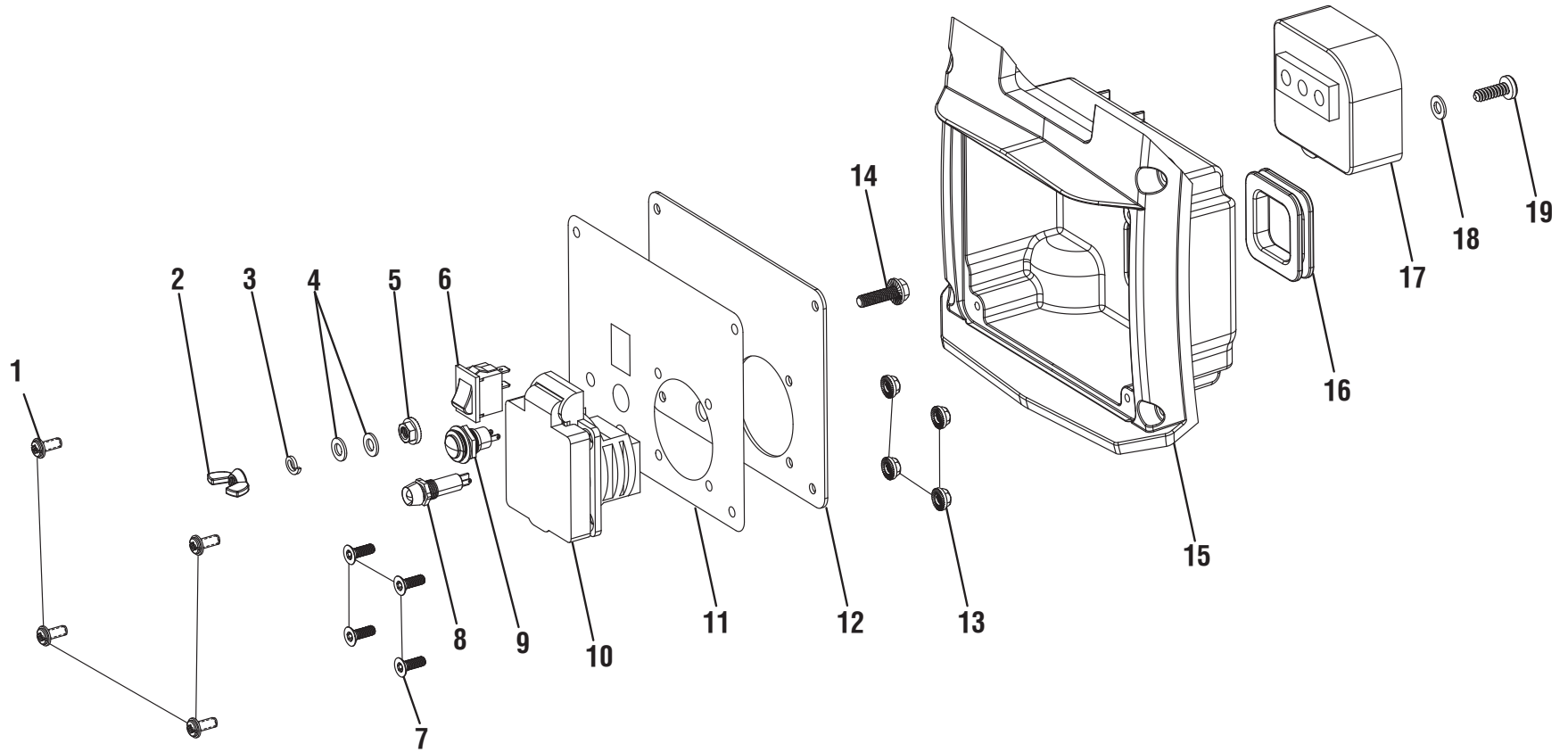
FIGURE A PARTS LIST

KEY NO.	PART NUMBER	DESCRIPTION	QTY	KEY NO.	PART NUMBER	DESCRIPTION	QTY
1	NOTE	Engine.....	1	20	524003021	Maintenance Panel (Right).....	1
2	561454003	Side Engine Isolator.....	4	21	564158008	Rubber Grommet.....	1
3	460703000130	Rubber Washer (ID6.25 x OD15.5 x 2t)	4	22	638704008	Internal Tooth Washer (ID5)	4
4	001410006001	Lock Flange Nut (M6)	4	23	524003024	Spark Plug Door	1
5	524003019	Starter Cover	1	24	662770003	Screw (M5 x 16 mm, T-25 Torx Pan Hd.).....	1
6	524003026	Recoil Handle	1	25	678409011	Fuel Hose Clamp	1
7	524003027	Recoil Handle Cover.....	1	26	638623009	E-Clip Lock Washer	1
8	524003066	Recoil Handle Support	1	27	564158002	Rubber Handle (Upper).....	1
9	See Figure B	Control Panel Assembly	1	28	678815018	Side Lock (U-Shaped)	2
10	469020030000	Stepper Motor Extended Wire Harness.....	1	29	524003023	Muffler Cover	1
11	See Figure C	Fuel System & Bracket Assembly.....	1	30	662770001	Screw (M5 x 18 mm, T-25 Torx Pan Hd.).....	21
12	524003016	Panel Housing (Right)	1	31	638128034	Washer (ID5.2 x OD10 x 1t)	3
13	469003000150	U-Clip	9	32	660345017	Screw (M5 x 16 mm, T-25 Torx Pan Hd.).....	3
14	662770002	Screw (M5 x 12 mm, T-25 Torx Pan Hd.).....	10	Not Shown:			
15	564158009	Rubber Grommet Handle	1		308792011	Propane Hose Adapter	
16	561454005	Rubber Grommet.....	4		480210016145	Spark Plug Wrench	
17	561454010	Rubber Foot w/Metal Insert and Ribs	4		480212002100	Screw Driver	
18	524003017	Panel Housing (Left)	1		995000223	Operator's Manual	
19	524003020	Maintenance Panel (Left)	1				

NOTE: OWT Industries, Inc., will not provide engines as replacement parts. Engines are covered through the engine manufacturer's warranty. Consult the accompanying engine manual or contact our service department for assistance.

* Not all parts shown on the exploded view are available. Some parts are shown to identify position and location of parts that are available.

FIGURE B



RYOBI DIGITAL INVERTER GENERATOR – MODEL NO. RYi911LP

The model number will be found on a label attached to motor housing. Always mention the model number in all correspondence regarding your **DIGITAL INVERTER GENERATOR** or when ordering replacement parts.

FIGURE B PARTS LIST

KEY NO.	PART NUMBER	DESCRIPTION	QTY
1	662653001	Screw (M4 x 13 mm, Flat Hd.).....	4
2	001030005000	Wingnut (M5)	1
3	639799001	Washer (ID5 x OD8 x 1.4t)	1
4	638128033	Washer (ID5.3 x OD10 x 1t)	2
5	662652002	Lock Nut (M5)	1
6	760700002	On/Off Switch	1
7	660345026	Screw (M4 x 10 mm, T-20 Torx Pan Hd.).....	4
8	291789001	Indicator (Red LED)	1
9	760945005	Reset Button.....	1
10	480101020040	120V-15A Single Receptacle.....	1
11	940040051	Control Panel Label	1
12	638700045	Control Panel Faceplate	1
13	662652001	Lock Nut (M4)	4
14	661345003	Screw (M5 x 18 mm, Flange Hex Hd.).....	1
15	524003022	Control Panel Housing.....	1
16	564158004	Rubber Grommet.....	1
17	462417016000	Ignition Module (700W).....	1
18	638128034	Washer (ID5.2 x OD10 x 1t)	1
19	660345017	Screw (M5 x 16 mm, T-25 Torx Pan Hd.).....	1
Not Shown:			
	469020020000	Unit Wire Harness	
	469017012500	AC Socket Wire Harness	
	469017012650	Overload/Momentary Switch Wire Harness	

FIGURE C

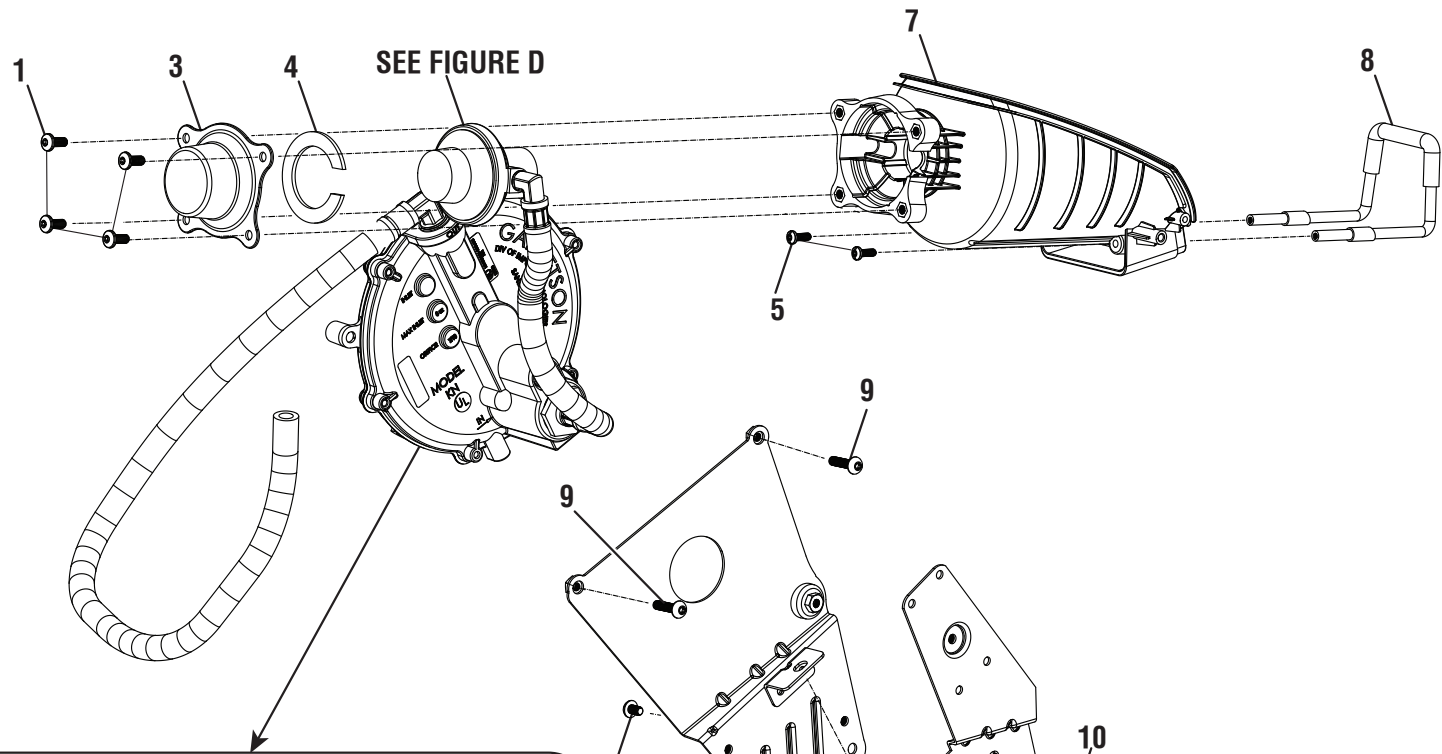
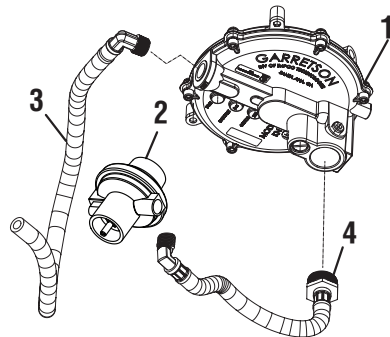


FIGURE D



Note: add loctite 592 on the hose's thread prior to assembly

RYOBI DIGITAL INVERTER GENERATOR – MODEL NO. RYi911LP

The model number will be found on a label attached to motor housing. Always mention the model number in all correspondence regarding your **DIGITAL INVERTER GENERATOR** or when ordering replacement parts.

FIGURE C PARTS LIST

KEY NO.	PART NUMBER	DESCRIPTION	QTY
1	662770002	Screw (M5 x 12 mm, T-25 Torx Pan Hd.).....	4
2	290991024	Inverter Module (700W)	1
3	638700049	Metal Cover	1
4	564158010	Rubber Pad	1
5	660345027	Screw (M4 x 12 mm, T-20 Torx Pan Hd.).....	2
6	660345024	Bolt (1/4 in. x 20-1/2 in., Flanged Hex Hd.).....	1
7	524003056	1LP Tank Assembly	1
8	638701036	Metal Tube	1
9	660345020	Screw (M5 x 22 mm, T-25 Torx Pan Hd.).....	2
10	661345002	Screw (M5 x 8 mm, T-25 Torx Pan Hd.).....	2
11	570356015	Rubber Support.....	2
12	673678001	Bracket	1

FIGURE D PARTS LIST

KEY NO.	PART NUMBER	DESCRIPTION	QTY
1	312751003	Propane Regulator (2nd Stage)	1
2	312751002	Propane Regulator (1st Stage)	1
3	570358187	Propane Fuel Hose.....	1
4	308792009	Propane Fuel Hose.....	1

NOTE: OWT Industries, Inc., will not provide engines as replacement parts. Engines are covered through the engine manufacturer's warranty. Consult the accompanying engine manual or contact our service department for assistance.

* Not all parts shown on the exploded view are available. Some parts are shown to identify position and location of parts that are available.

RYOBI DIGITAL INVERTER GENERATOR – MODEL NO. RYi911LP

FIGURE E

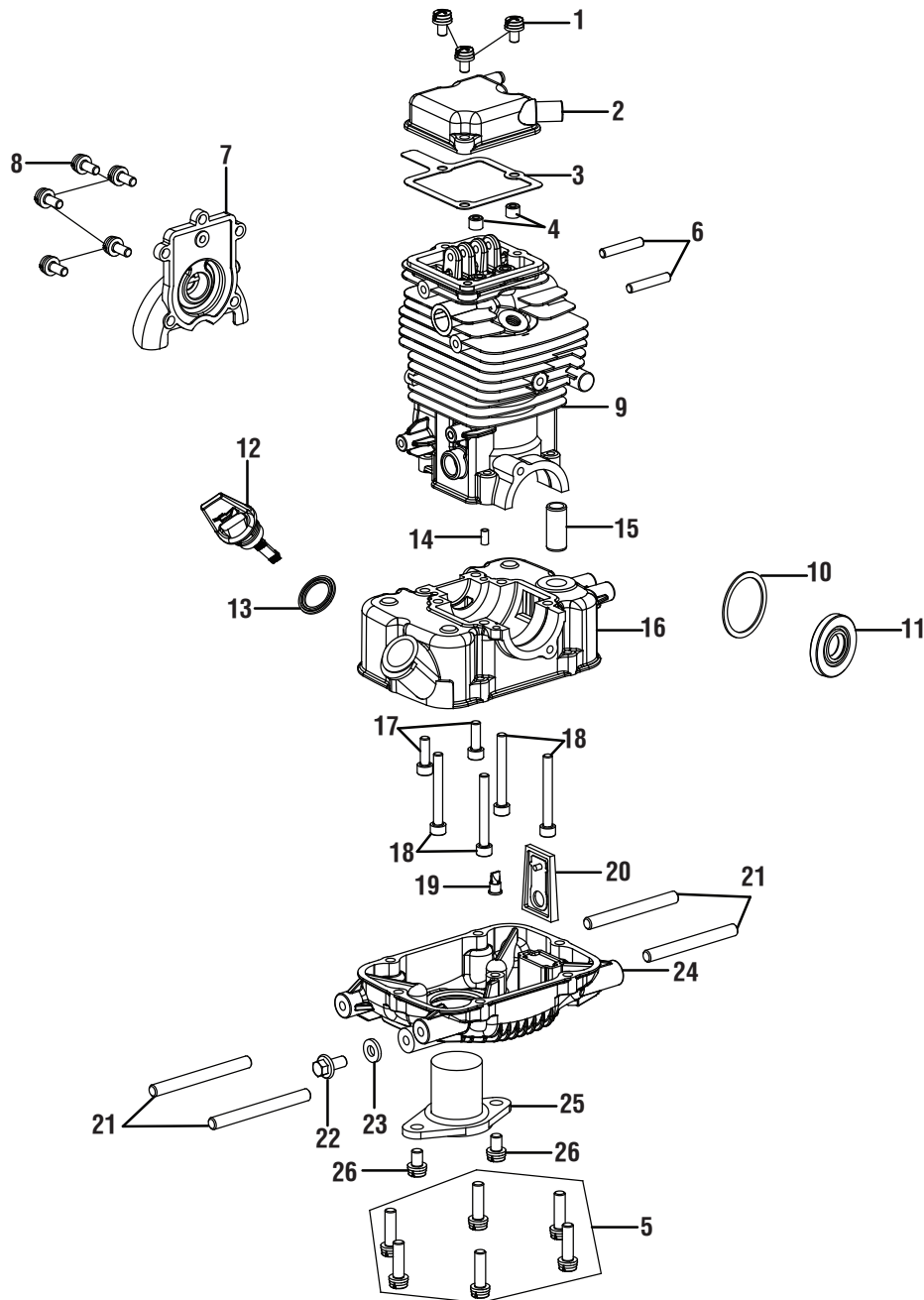
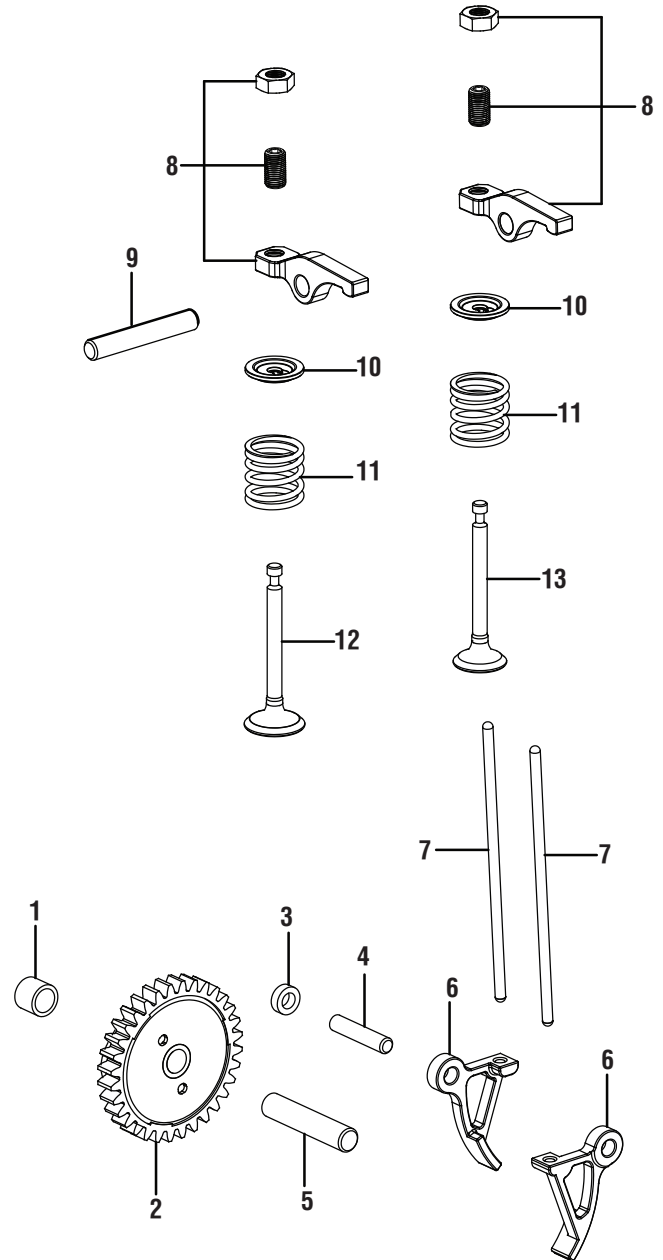


FIGURE F



RYOBI DIGITAL INVERTER GENERATOR – MODEL NO. RYi911LP

The model number will be found on a label attached to motor housing. Always mention the model number in all correspondence regarding your **DIGITAL INVERTER GENERATOR** or when ordering replacement parts.

FIGURE E PARTS LIST

KEY NO.	PART NUMBER	DESCRIPTION	QTY
1	00252000502081	Screw (M5 × 20 mm)	3
2	14760100001001	Cylinder Head Cover	1
3	14760100002081	Cylinder Head Cover Seal	1
4	14760101001101	Valve Oil Seal	2
5	00252000502581	Dual-Head Bolt (M5 × 25 mm)	6
6	14760100005041	Dual-Head Bolt (M5 × 28 mm)	2
7	14760100003001	Cam	1
8	00252000501481	Screw (M5 × 14 mm)	5
9	14870101100001	Upper Crankcase	1
10	14770100004041	Washer (ID30 × OD37 × 1t)	1
11	14760100007102	Oil Seal	1
12	14760102101003	Oil Gauge	1
13	14760102102101	Oil Gauge Gasket	1
14	00510000400801	Dowell Pin	1
15	14770102003081	Ventilation Nozzle	1
16	14760102001001	Lower Crankcase	1
17	00204000501681	Screw (M5 × 16 mm)	2
18	00204000504041	Screw (M5 × 40 mm)	4
19	14760102002101	Rubber Valve	1
20	14760501000001	One-Way Valve Component	1
21	14760103003081	Dual-Head Bolt (M6 × 36 mm)	4
22	00031000601281	Bolt (M6 × 12 mm, Flange Hex Hd.)	1
23	14760103002031	Aluminium Gasket	1
24	14760103001001	Oil Pan	1
25	14620103100001	Oil Level Sensor	1
26	00252000601881	Screw (M6 × 18 mm)	2

FIGURE F PARTS LIST

KEY NO.	PART NUMBER	DESCRIPTION	QTY
1	14760100006001	Bushing	1
2	14760401100081	Camshaft	1
3	14760400010041	Rocker Gasket	1
4	00504000402003	Pin (G4 × 20 mm)	1
5	00504000603003	Pin (G6 × 30 mm)	1
6	14760400006002	Lower Rocker	2
7	14760400009002	Tappet	2
8	14760400005002	Upper Rocker Assembly	2
9	00504000503203	Pin (G6 × 32 mm)	1
10	14760400003002	Valve Spring Seat	2
11	14760400004002	Valve Spring	2
12	14760400001101	Intake Valve	1
13	14760400002101	Exhaust Valve	1

NOTE: OWT Industries, Inc., will not provide engines as replacement parts. Engines are covered through the engine manufacturer's warranty. Consult the accompanying engine manual or contact our service department for assistance.

* Not all parts shown on the exploded view are available. Some parts are shown to identify position and location of parts that are available.

FIGURE G

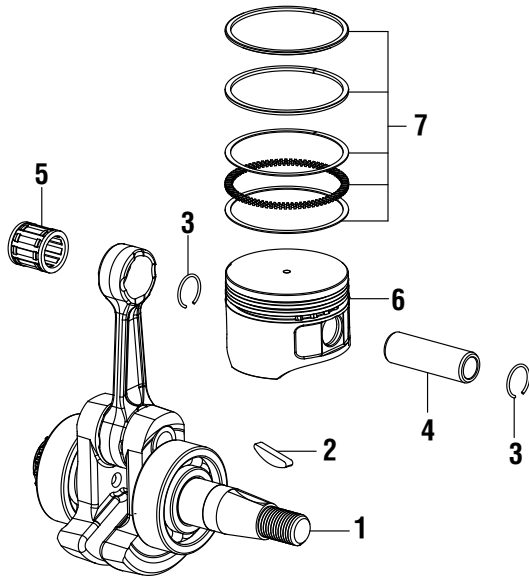


FIGURE I

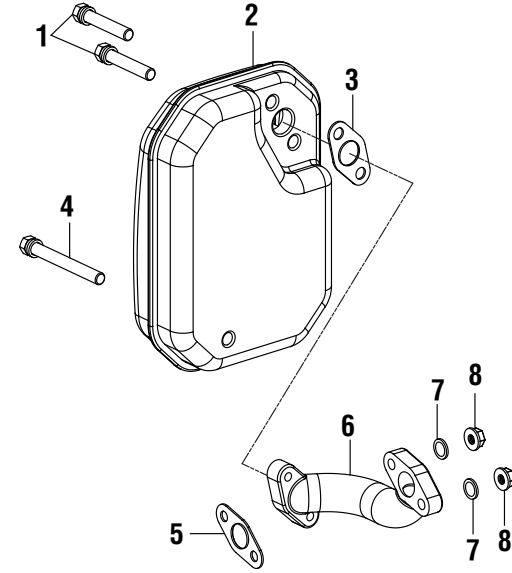


FIGURE H

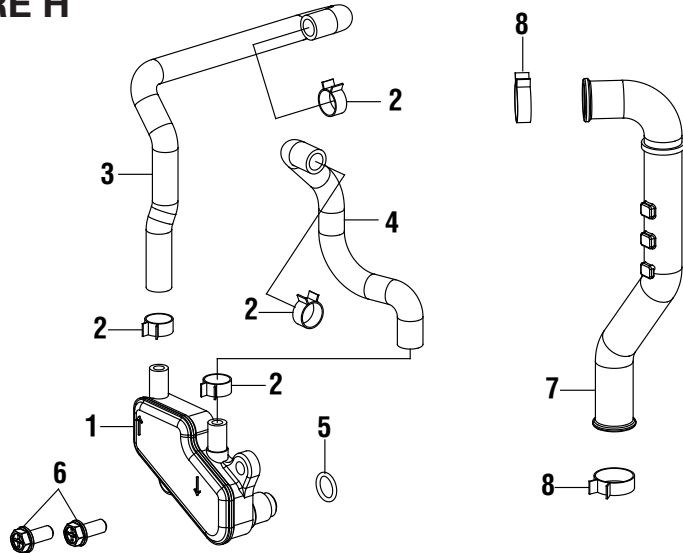
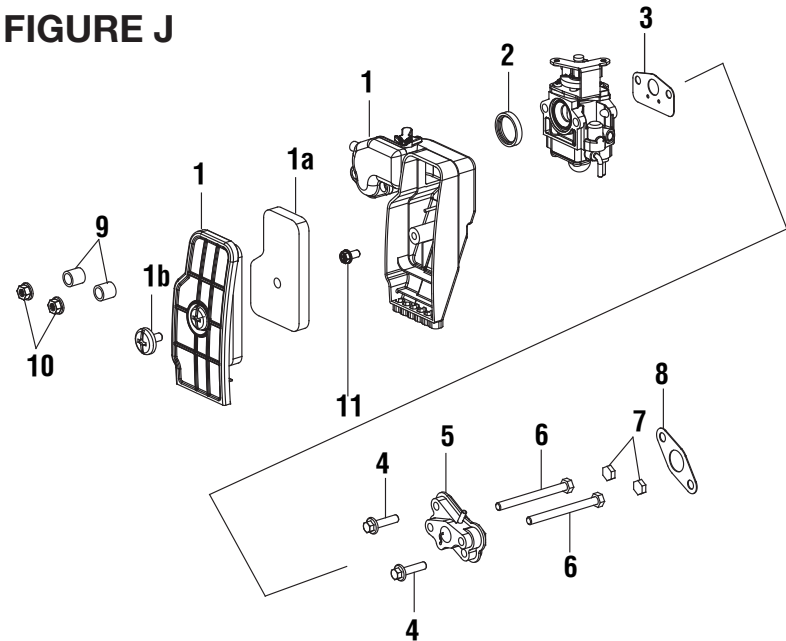


FIGURE J



RYOBI DIGITAL INVERTER GENERATOR – MODEL NO. RYi911LP

The model number will be found on a label attached to motor housing. Always mention the model number in all correspondence regarding your **DIGITAL INVERTER GENERATOR** or when ordering replacement parts.

FIGURE G PARTS LIST

KEY NO.	PART NUMBER	DESCRIPTION	QTY
1	14760302000001	Connecting Rod	1
2	11310300010001	Woodruff Key.....	1
3	14760300001002	Piston Pin Clip.....	2
4	14760300002002	Piston Pin	1
5	00833710141402	Needle Bearing (K101414).....	1
6	14810301001001	Piston	1
7	14780301006001	Piston Ring	1

FIGURE I PARTS LIST

KEY NO.	PART NUMBER	DESCRIPTION	QTY
1	00722000603581	Bolt (M6 × 35 mm).....	2
2	14760701000001	Muffler	1
3	14760700003081	Muffler Pipe Gasket.....	1
4	00722000605581	Bolt (M6 × 55 mm).....	1
5	14760700001081	Muffler Gasket.....	1
6	14760700002003	Muffler Pipe	1
7	00030000500081	Washer (M5)	2
8	00101000500081	Hex Flange Nut (M5).....	2

FIGURE H PARTS LIST

KEY NO.	PART NUMBER	DESCRIPTION	QTY
1	14760502000102	Deaerator.....	1
2	14760500005081	Hose Clip (8/9).....	4
3	14760500002001	Respiratory Hose.....	1
4	14760500003001	Outlet Tube	1
5	14760500004003	O-Ring	1
6	00031000501681	Bolt (M5 × 16 mm, Flange Hex Hd.).....	2
7	14760500001001	Upper Lubricant Hose	1
8	11311600006081	Hose Clip (13/14).....	2

FIGURE J PARTS LIST

KEY NO.	PART NUMBER	DESCRIPTION	QTY
1	14870801000101	Air Filter Base & Air Filter Cover	1
1a	14760801003002	Foam	1
1b	14760801007081	Chrome Plated Screw (Big Head).....	1
2	14760800004001	Air Filter Gasket.....	1
3	14780800003081	Carburetor Gasket.....	1
4	00033000502281	Bolt (M5 × 22 mm, Flange Hex Hd.).....	2
5	14870801001001	Insulation Board Component	1
6	00026000505581	Bolt (M5 × 55 mm, Flange Hex Hd.).....	2
7	14810800003001	Rubber Block.....	2
8	14810800001081	Insulation Board Gasket.....	1
9	15561100004002	Fan Volute Bushing	2
10	00129000500081	Nut (M5).....	2
11	00427014801681	Screw (M4.8 × 16 mm)	1

NOTE: OWT Industries, Inc., will not provide engines as replacement parts. Engines are covered through the engine manufacturer's warranty. Consult the accompanying engine manual or contact our service department for assistance.

* Not all parts shown on the exploded view are available. Some parts are shown to identify position and location of parts that are available.

FIGURE K

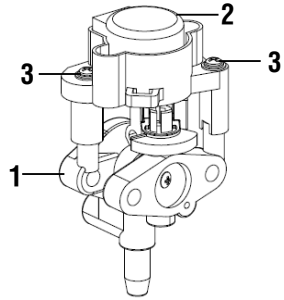


FIGURE L

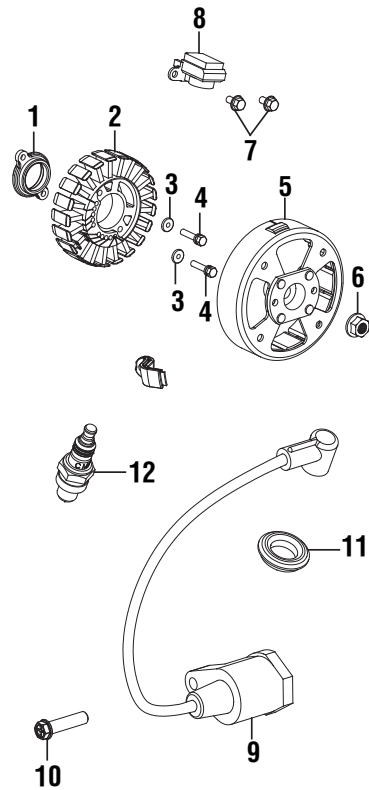
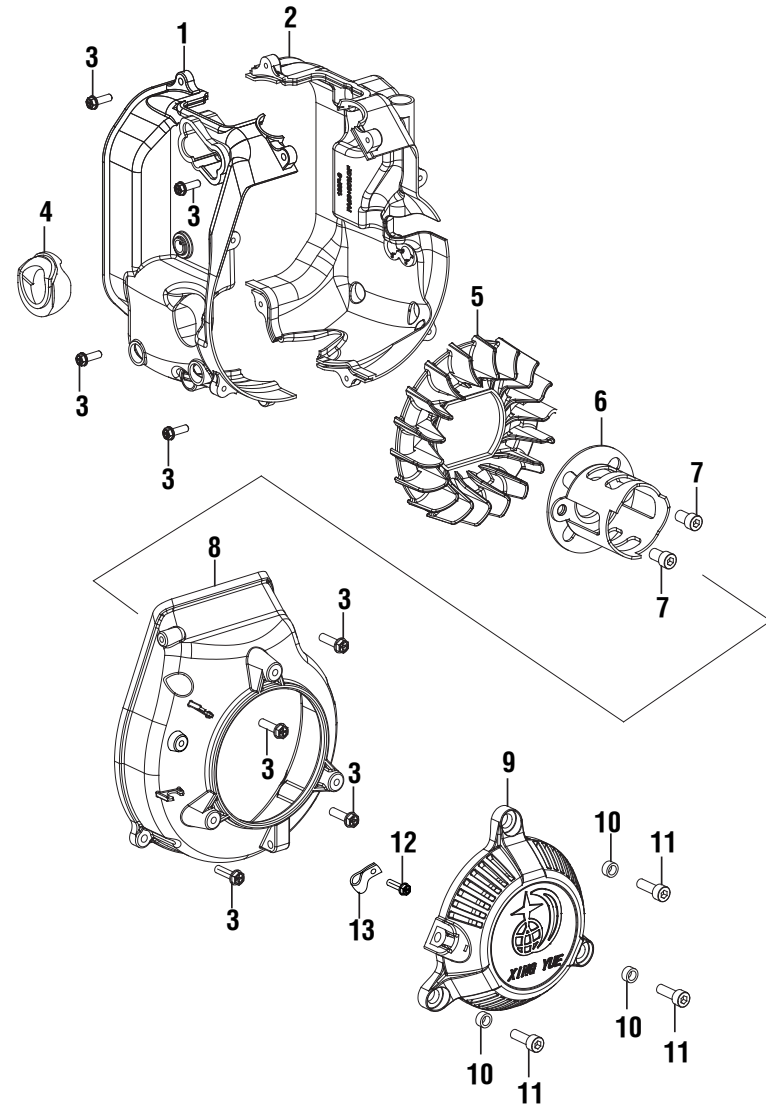


FIGURE M



RYOBI DIGITAL INVERTER GENERATOR – MODEL NO. RYi911LP

The model number will be found on a label attached to motor housing. Always mention the model number in all correspondence regarding your **DIGITAL INVERTER GENERATOR** or when ordering replacement parts.

FIGURE K PARTS LIST

KEY NO.	PART NUMBER	DESCRIPTION	QTY
1	14870901000001	Vaporizer.....	1
2	465020010000	Stepper Motor	1
3	007090003008	Screw (M4 x 25 mm)	2

FIGURE L PARTS LIST

KEY NO.	PART NUMBER	DESCRIPTION	QTY
1	14761000001001	Locating Plate	1
2	14871001100201	Stator Assembly (Inc. Key No. 2a).....	1
3	00030000500081	Washer (M5)	2
4	00033000502281	Bolt (M5 x 22 mm, Flange Hex Hd.).....	2
5	14761001200101	Rotor.....	1
6	00129001000081	Hex Flange Nut (M10).....	1
7	00033000501081	Bolt (M5 x 10 mm, Hex Flange Hd.).....	2
8	14761000004003	Trigger.....	1
9	14761003000181	Ignition Coil	1
10	00241004802581	Screw (M4.8 x 25 mm)	1
11	14761000003081	Ignition Coil Cap Seal.....	1
12	14761002000001	Spark Plug (CMR6A)	1
Not Shown:			
2a	14761000002002	Bushing	

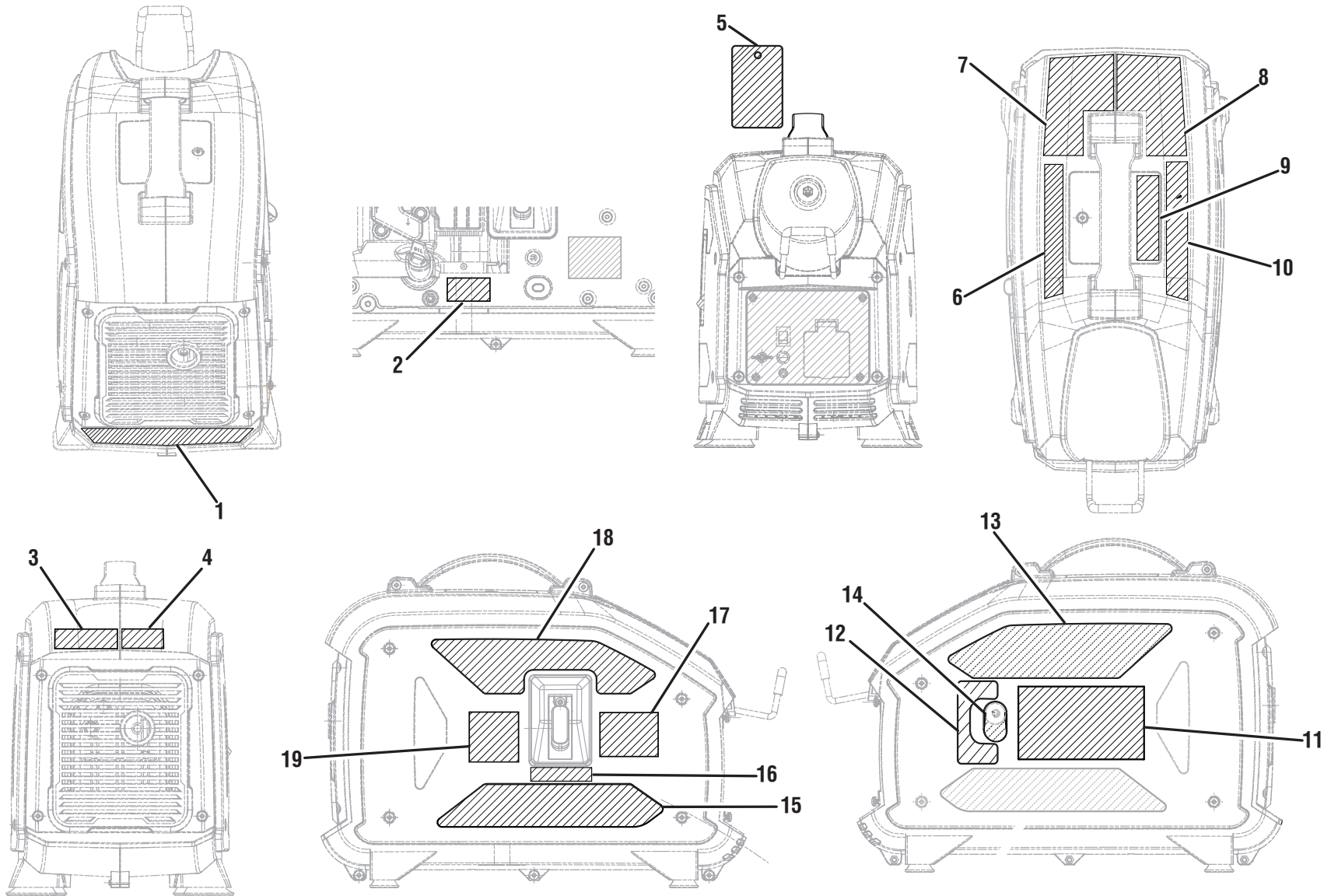
FIGURE M PARTS LIST

KEY NO.	PART NUMBER	DESCRIPTION	QTY
1	14811100001002	Air Guide Sleeve (A).....	1
2	14761100014002	Air Guide Sleeve (B).....	1
3	00427014801681	Screw (M4.8 x 16 mm)	8
4	14761100006003	Pad	1
5	14761100001003	Cooling Fan	1
6	14760602000001	Starting Hub	1
7	00204000601081	Screw (M6 x 10 mm, Hex Hd.).....	2
8	14761100002081	Fan Volute.....	1
9	14760601000002	Recoil Starter.....	1
10	15600600002003	Recoil Starter Bushing.....	3
11	00031000501681	Bolt (M5 x 16 mm, Flange Hex Hd.).....	3
12	00421114201081	Screw (M4.2 x 10 mm)	1
13	14761000006081	Ignition Coil Wires Clamp.....	1

NOTE: OWT Industries, Inc., will not provide engines as replacement parts. Engines are covered through the engine manufacturer's warranty. Consult the accompanying engine manual or contact our service department for assistance.

* Not all parts shown on the exploded view are available. Some parts are shown to identify position and location of parts that are available.

FIGURE N



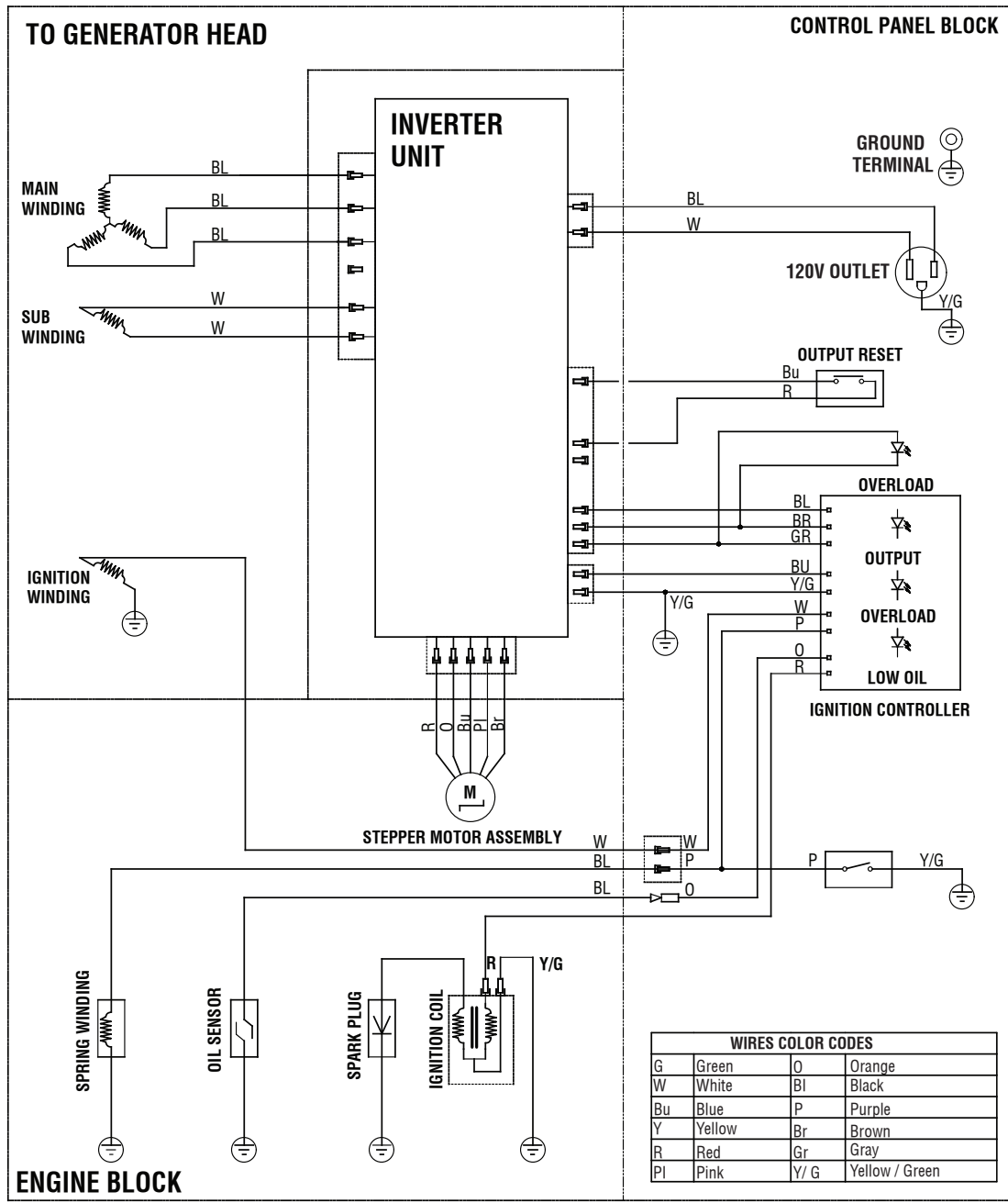
RYOBI DIGITAL INVERTER GENERATOR – MODEL NO. RYi911LP

The model number will be found on a label attached to motor housing. Always mention the model number in all correspondence regarding your **DIGITAL INVERTER GENERATOR** or when ordering replacement parts.

FIGURE N PARTS LIST

KEY NO.	PART NUMBER	DESCRIPTION	QTY
1	940947028	Combustion Label.....	1
2	940911013	Maintenance Label	1
3	940680092	Hot Surface Label (English/Spanish)	1
4	940680093	Hot Surface (French).....	1
5	940971087	Warning Hangtag	1
6	940654354	Storage Tips Label.....	1
7	940515029	CPSC Label (English).....	1
8	940515030	CPSC Label (French/Spanish)	1
9	941486008	Inquiries Label.....	1
10	940617195	Starting Instructions Label.....	1
11	940707052	LP Warning Label.....	1
12	940721015	Primer Button Label.....	1
13	940974022	Fire Distance Label	1
14	940721011	Primer Button.....	1
15	940779217	Performance Label (Bottom).....	1
16	940721014	Primer Reminder Label	1
17	940791082	Logo Label	1
18	940779216	Performance Label (Top).....	1
19	940708023	Lubricant Label	1

RYOBI DIGITAL INVERTER GENERATOR – MODEL NO. RYi911LP



WIRING DIAGRAM