

RYOBI
Digital Inverter Generator
Manufacturing No. 090930324 and 090930338
Item No. RYi2200GR and RYi2200GRA
Replacement Parts List

TECHTRONIC INDUSTRIES POWER EQUIPMENT, INC.

1428 Pearman Dairy Road, Anderson, SC 29625

Phone 1-800-860-4050

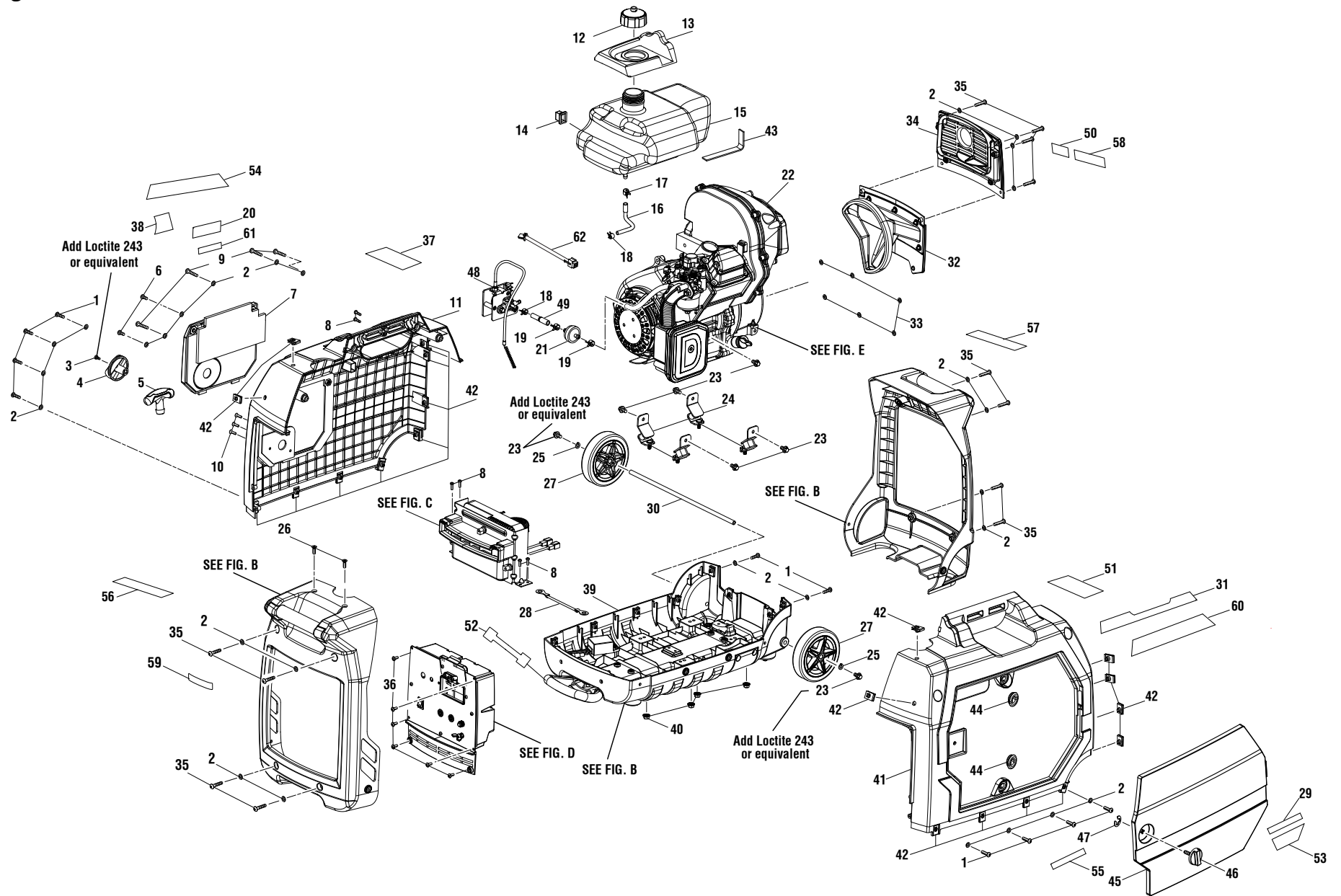
www.ryobitools.com

995000109

3-28-18 (Rev:02)

DIGITAL INVERTER GENERATOR – ITEM NUMBER RYi2200GR/Ry2200GRA

Figure A



DIGITAL INVERTER GENERATOR – ITEM NUMBER RYi2200GR/Ry2200GRA

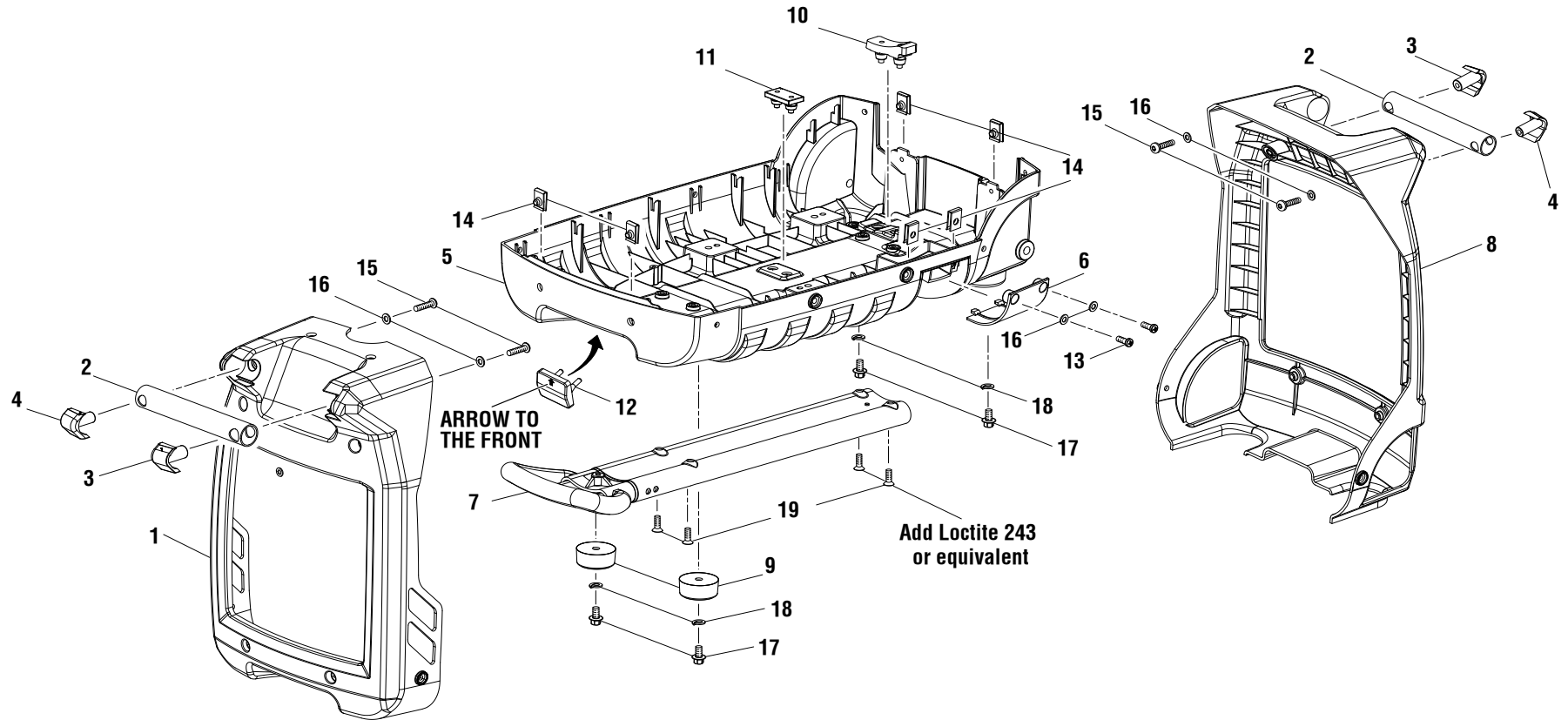
The model number will be found on a label attached to the back cover. Always mention the model number in all correspondence regarding your **DIGITAL INVERTER GENERATOR** or when ordering parts.

PARTS LIST - FIGURE A

KEY PART NO. NUMBER	DESCRIPTION	QTY	KEY PART NO. NUMBER	DESCRIPTION	QTY	KEY PART NO. NUMBER	DESCRIPTION	QTY
1	660764010 Screw (M5 x 20 mm, Button Soc. Hd.)	10	23	660975004 Bolt (M6 x 12 mm, Hex Hd.)	7	44	570766011 Grommet	2
2	638128014 Washer (M5.3)	28	24	679940011 Engine Isolator (45 Degree)	4	45	523430013 Maintenance Cover Assembly (Incl. Key Nos. 46-47)	1
3	661346001 Screw (M4 x 10 mm)	1	25	678012001 Lock Washer	2	46	525361014 Lock Knob	1
4	525361008 Control Knob	1	26	660764012 Screw (M5 x 16 mm, Flat Hd.)	2	47	638623008 Retaining Ring	1
5	524015004 Recoil Handle	1	27	310223008 Wheel	2	48	310437021 Engine Start/Stop Mechanism Assembly	1
6	660764007 Screw (M5 x 12 mm, Button Soc. Hd.)	2	28	290404012 Ground Wire	1	49	570358171 Fuel Hose (4.5 mm and 6 mm)	1
7	525297005 Starter Cover Assembly	1	29	941486008 Inquiries Label	1	50	940947025 Combustion Label	1
8	660345015 Screw (M4 x 12 mm, T15 Torx Hd.)	6	30	620599031 Axle	1	51	940515017 CPSC Label	1
9	660345018 Screw (M5 x 30 mm, Phillips Hd.)	4	31	940974020 Fire Distance Label	1	52	940758016 Handle Release Label	1
10	661864012 Screw (M4 x 16 mm, Flat Hd.)	3	32	524012018 Lower Exhaust Panel Assembly (Incl. Key No. 33)	1	53	940708028 Lubricant Label	1
11	524001012 Left Housing Assembly (Incl. Key No. 42)	1	33	638704006 Washer (5 mm)	6	54	940779200 Performance Label	1
12	519709007 Vented Fuel Cap	1	34	524012016 Upper Exhaust Panel Assembly (Incl. Key No. 35)	1	55	940911003 Maintenance Label	1
13	570818005 Overspill Guard	1	35	660764011 Screw (M5 x 25 mm, Button Soc. Hd.)	12	56	940782004 Fuel Stabilizer Label	1
14	570356010 Fuel Tank Support	1	36	660345009 Screw w/Washer (M4 x 10 mm, T20 Torx Hd.)	6	57	940513030 Ground Warning Label (English/French)	1
15	310711196 Fuel System Assembly (Incl. Key Nos. 14 and 16 - 18)	1	37	940654323 Danger Label	1	58	940680086 Hot Surface Label	1
16	570358170 Fuel Hose (6mm and 4.5 mm)	1	38	940647139 Choke Label	1	59	940705362 Logo Label	1
17	678815015 Clamp (10 mm)	1	39	525529003 Bottom Base Assembly (Incl. Key Nos. 1-2, 23 and 25; See Figure B)	1	60	940779199 Performance Label (Maintenance Door)	1
18	678409008 Fuel Hose Clamp (3/8 in.)	2	40	678774019 Lock Nut (M6)	4	61	940617178 Start Label	1
19	678815010 Fuel Hose Clamp (9.5 mm)	2	41	524003012 Right Housing Assembly (Incl. Key Nos. 42-43)	1	62	290514016 Engine Wire Harnes	1
20	941008042 Easy Start Logo Label	1	42	678900014 U-Clip (M5)	20	Not Shown:		
21	308733008 Fuel Filter	1	43	560878004 Rubber Pad	1	120694001	Accessory Kit	
22	NOTE A Engine (Ducar) (See Figure E)	1				995000505	Operator's Manual	

NOTE A: Techtronic Industries, Inc., will not provide complete engines as replacement parts. Engines are covered through the engine manufacturer's warranty. Consult the accompanying engine manual or contact our service department for assistance.

Figure B



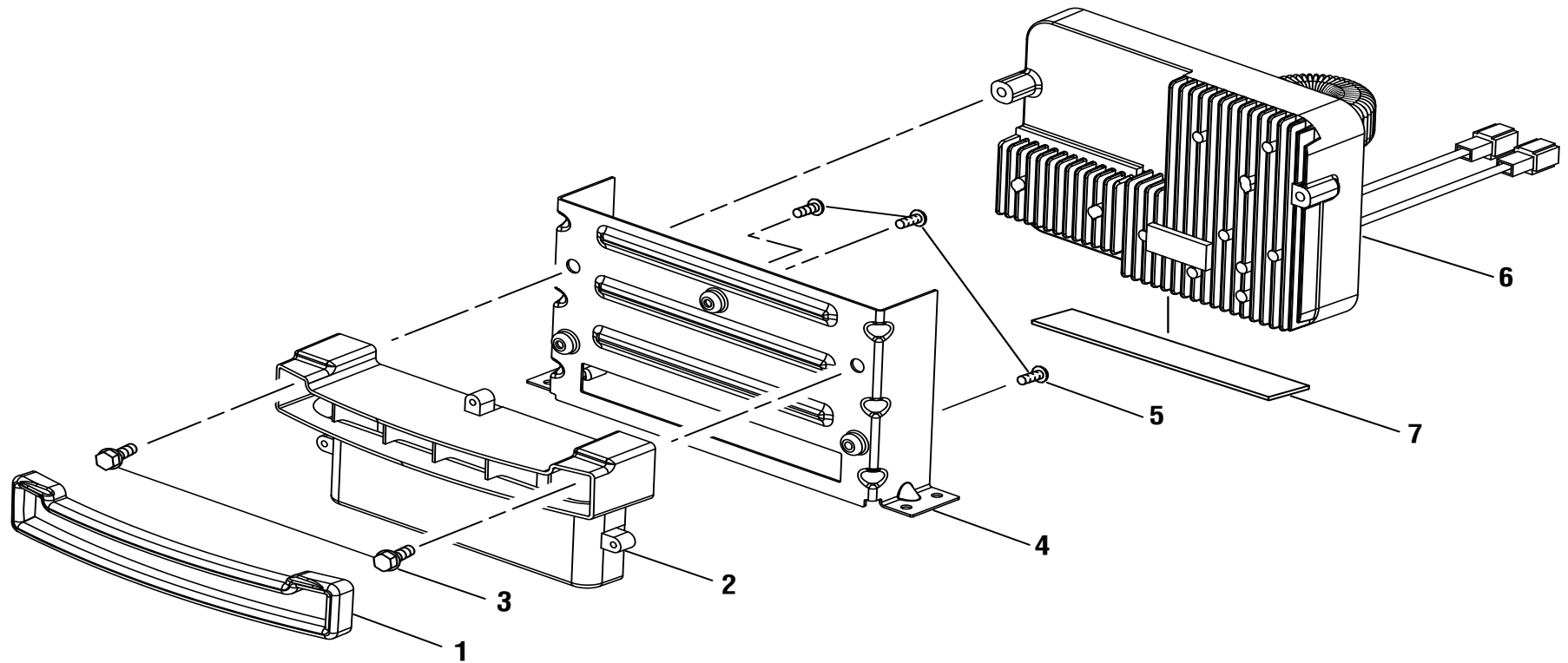
DIGITAL INVERTER GENERATOR – ITEM NUMBER RYi2200GR/RYi2200GRA

The model number will be found on a label attached to the back cover. Always mention the model number in all correspondence regarding your **DIGITAL INVERTER GENERATOR** or when ordering parts.

PARTS LIST – FIGURE B

KEY NO.	PART NUMBER	DESCRIPTION	QTY
1	518728010	Front Cover	1
2	638701035	Handle Tube	2
3	525361013	Handle Cap (Left)	2
4	525361012	Handle Cap (Right)	2
5	525529003	Bottom Base	1
6	519813034	Oil Drain Door	1
7	308790086	Handle Assembly	1
8	524012015	Back Cover	1
9	561454006	Isolator Foot	2
10	570712008	Engine Support Isolator (Back)	1
11	570712007	Engine Support Isolator (Front)	1
12	570712009	Handle Bumper	1
13	660342013	Screw (M5 x 12 mm, Pan Hd.)	2
14	678900014	U-Clip (M5)	6
15	660764010	Screw (M5 x 20 mm, Button Soc. Hd.)	4
16	638128014	Washer (M5.3)	6
17	660975004	Bolt (M6 x 12 mm, Hex Hd.)	4
18	678012001	Lock Washer	4
19	660764012	Screw (M5 x 16 mm, Flat Hd.)	4

Figure C



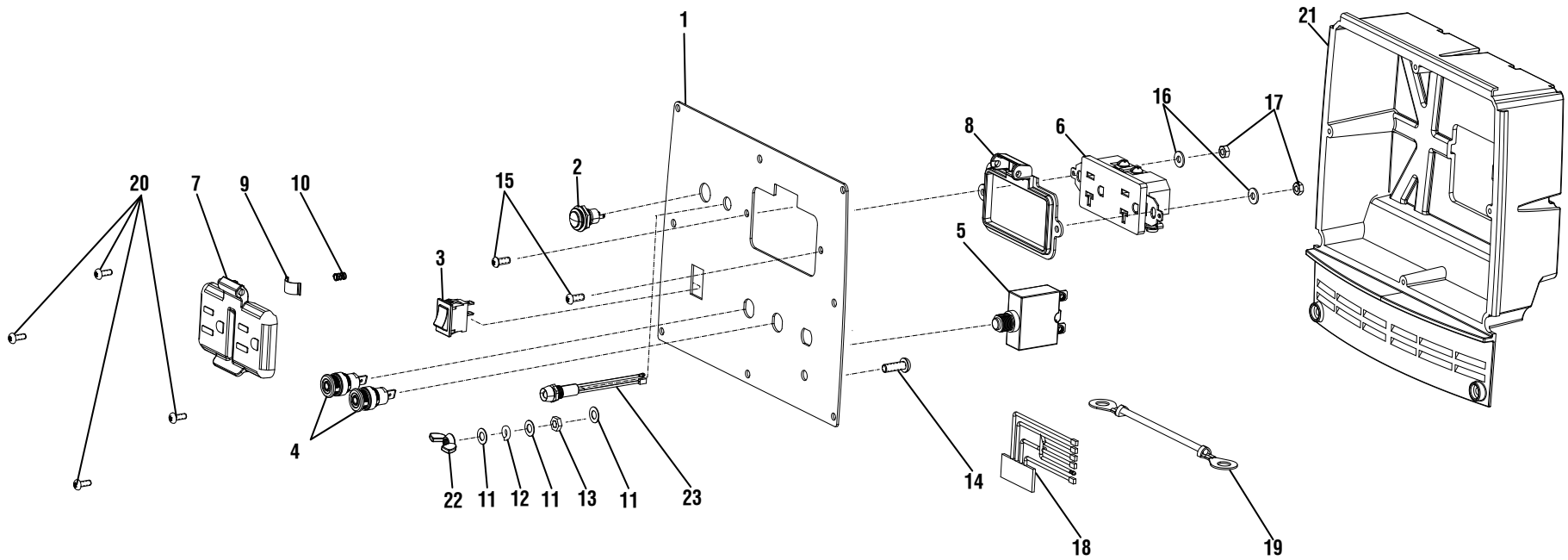
DIGITAL INVERTER GENERATOR – ITEM NUMBER RYi2200GR/RyI2200GRA

The model number will be found on a label attached to the back cover. Always mention the model number in all correspondence regarding your **DIGITAL INVERTER GENERATOR** or when ordering parts.

PARTS LIST – FIGURE C

KEY NO.	PART NUMBER	DESCRIPTION	QTY
1	570818006	Edge Trim Rubber	1
2	901663009	Engine Intake Baffle	1
3	660975004	Bolt (M6 x 12mm, Hex Hd.).....	2
4	901663011	Inverter Module Bracket.....	1
5	660345009	Screw (M4 x 10 mm, T20 Torx Hd.).....	3
6	290991020	Inverter Module	1
7	570630006	Rubber Pad	1

Figure D



DIGITAL INVERTER GENERATOR – ITEM NUMBER RYi2200GR/RyI2200GRA

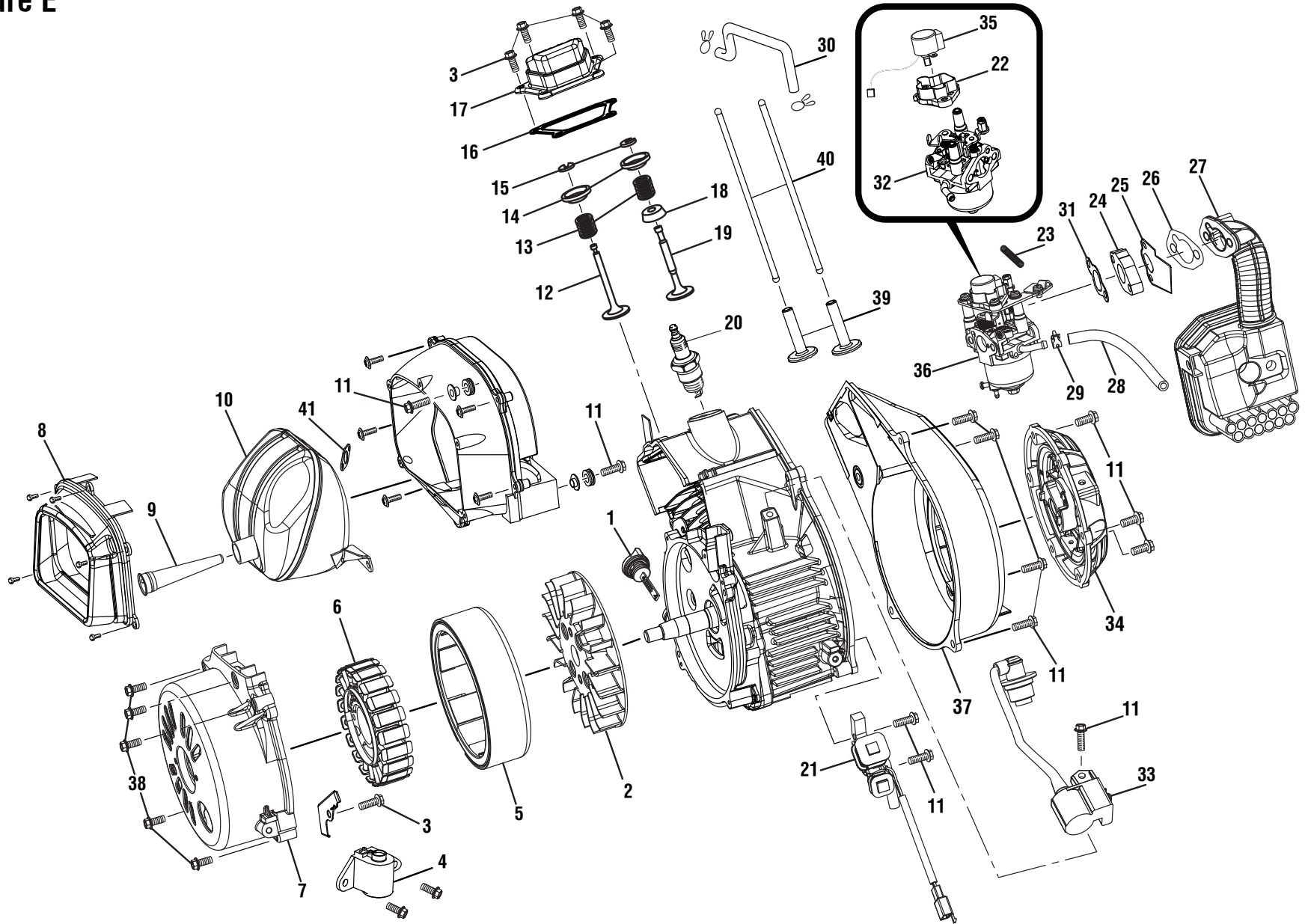
The model number will be found on a label attached to the back cover. Always mention the model number in all correspondence regarding your **DIGITAL INVERTER GENERATOR** or when ordering parts.

PARTS LIST – FIGURE D

KEY NO.	PART NUMBER	DESCRIPTION	QTY
1	638700043	Front Cover	1
2	760945005	Reset Button	1
3	760504016	Auto Idle Switch.....	1
4	870932002	Connector (Black)	2
5	780350007	Circuit Breaker (20A).....	1
6	290400017	120 Volt Duplex Receptacle (20 Amp)	1
7	570412014	Receptacle Cover (Front)	1
8	570412015	Receptacle Cover	1
9	570412012	Clip.....	1
10	679449001	Spring	1
11	638623005	Flat Washer (OD10 x ID5.3 x 0.5t)	3
12	678343003	Lock Washer (OD9 x ID5 x 1.3t).....	1
13	678016008	Hex Nut (M5).....	1
14	660976002	Bolt (M5 x 16 mm, Pan Hd.)	1
15	660345025	Bolt (M4 x 10 mm, T15 Torx Hd.).....	2
16	690969002	Washer (OD10 x 4.2 x 1t).....	2
17	661514002	Hex Nut (M4).....	2
18	290514015	Internal Wire Assembly	1
19	290404011	Ground Wire.....	1
20	660901004	Screw (M6-20 x 0.38 mm, T15 Torx Pan HD.)	4
21	519707015	Electrical Panel Housing	1
22	678016009	Wing Nut (M5).....	1
23	270290022	Indicator (Red LED 3.3V-4mA).....	1

DIGITAL INVERTER GENERATOR – ITEM NUMBER RYi2200GR/Ry2200GRA

Figure E



Not all parts shown on the exploded view are available. Some parts are shown to identify position and location of parts that are available.

DIGITAL INVERTER GENERATOR – ITEM NUMBER RYi2200GR/RYi2200GRA

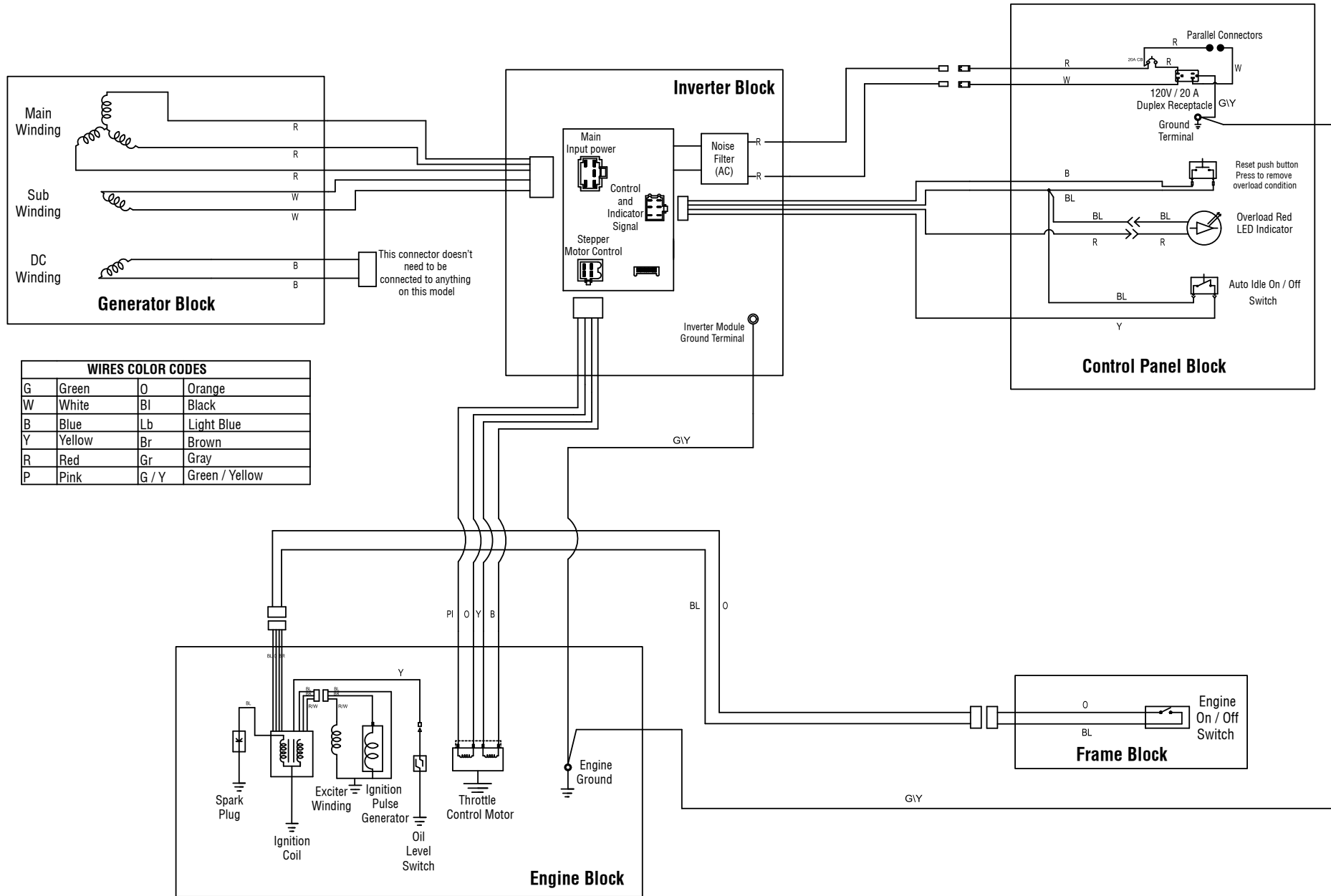
The model number will be found on a label attached to the back cover. Always mention the model number in all correspondence regarding your **DIGITAL INVERTER GENERATOR** or when ordering parts.

PARTS LIST – FIGURE E

KEY NO.	PART NUMBER	DESCRIPTION	QTY	KEY NO.	PART NUMBER	DESCRIPTION	QTY
1	310302005	Oil Dipstick	1	22	524021005	Governor Motor Housing	1
2	310757003	Fan	1	23	679449002	Compression Spring	1
3	91325	Bolt (M6 x 12 mm).....	5	24	202301	Thermal Insulation Seat (Carburetor)	1
4	205101	Low Oil Sensor.....	1	25	96121	Paper Gasket	1
5	310771053	Rotor	1	26	96009	Air Box Gasket	1
6	310772054	Stator.....	1	27	518248005	Air Filter Assembly	1
7	678289012	Alternator Cover	1	28	570358172	Fuel Hose (6 mm)	1
8	638497046	Muffler Heat Shield.....	1	29	678409003	Fuel Line Clamp (7/16 in.)	1
9	638147013	Spark Arrestor	1	30	95614	Breather.....	1
10	308990055	Muffler	1	31	96007	Gasket (Connection Block)	1
11	91329	Bolt (M6 x 16 mm).....	12	32	308054124	Carburetor	1
12	205901	Exhaust Valve	1	33	850202005	Ignition Coil	1
13	206001	Valve Spring	2	34	636996002	Engine Recoil	1
14	201801	Plate	2	35	230404002	Stepper Motor	1
15	200801	Valve Lock Clamp.....	2	36	308054123	Carburetor Assembly (Incl. Key Nos. 22, 32 & 35).....	1
16	96006	Gasket (Over Head Cover)	1	37	204901	Engine Cover.....	1
17	201101	Over Head Cover.....	1	38	91334	Bolt (M6 x 30 mm).....	5
18	201802	Inlet Valve Spring Seat	1	39	206101	Lifter Valve.....	2
19	201701	Inlet Valve	1	40	201901	Pushing Rod.....	2
20	97101	* Spark Plug.....	1	41	96008	Gasket (Muffler).....	1
21	760504020	RPM Sensor	1				

* STANDARD HARDWARE ITEM – MAY BE PURCHASED LOCALLY

DIGITAL INVERTER GENERATOR – ITEM NUMBER RYi2200GR/RyI2200GRA



Wiring Diagram