



**Digital Inverter Generator
Model No. RYi1000
Replacement Parts List**

Techtronic Industries Power Equipment

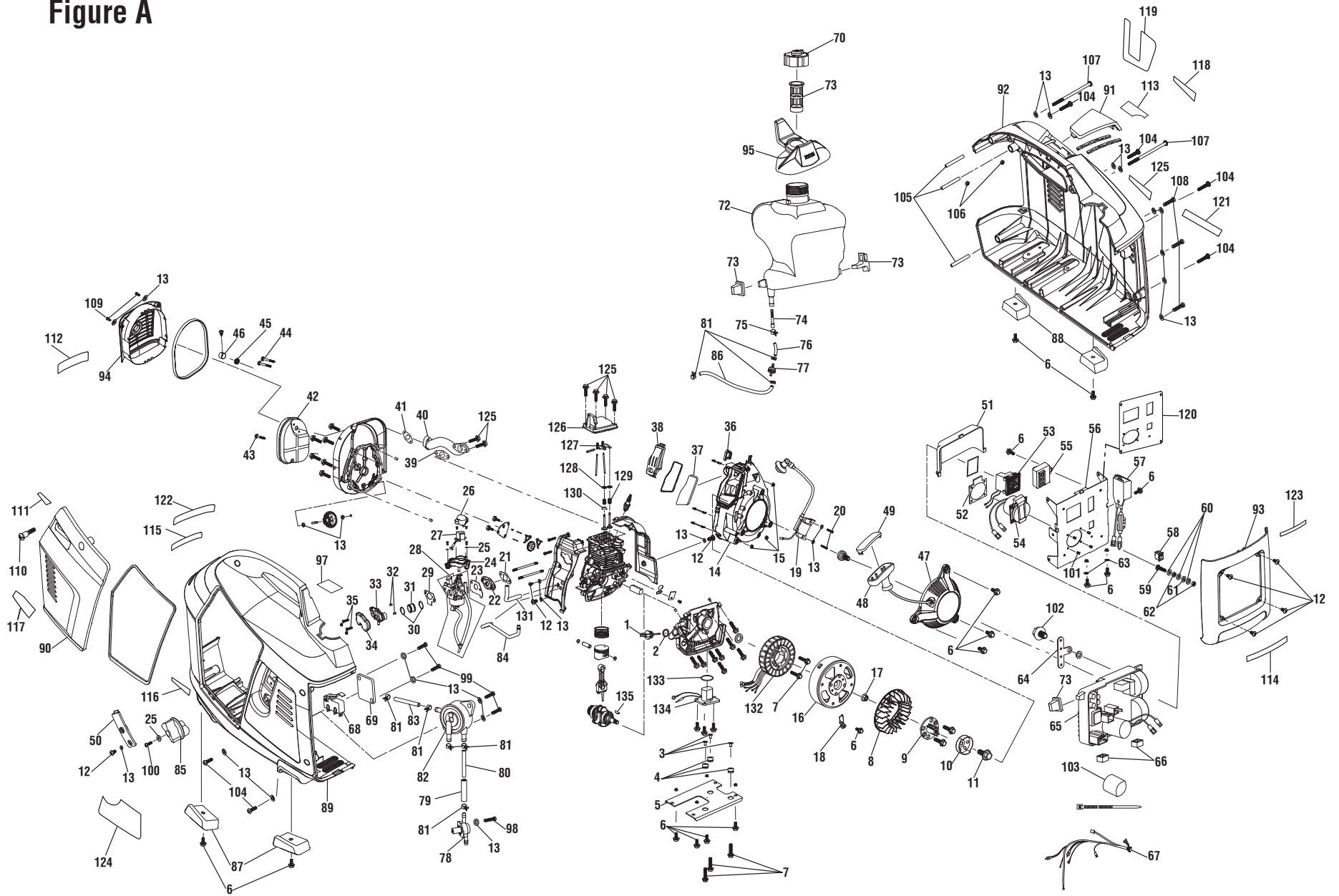
1428 Pearman Dairy Road, Anderson, SC 29625

Phone 1-800-860-4050

www.ryobitools.com

DIGITAL INVERTER GENERATOR – MODEL NUMBER RYi1000

Figure A



DIGITAL INVERTER GENERATOR – MODEL NUMBER RYi1000

The model number will be found on a label attached to the motor housing. Always mention the model number in all correspondence regarding your **DIGITAL INVERTER GENERATOR** or when ordering parts.

PARTS LIST – FIGURE A

KEY PART NO. NUMBER	DESCRIPTION	QTY	KEY PART NO. NUMBER	DESCRIPTION	QTY
1	11221-A142-0000 Oil Dipstick	1	25	01-04-0251 Washer (4 mm)	3
2	11222-A142-0000 Oil Dipstick Seal.....	1	26	14421-A142-0000 Top Cover (Motor Governor).....	1
3	21006-B001-0000 Bottom Isolator Bushing	3	27	14430-A142-0000 Motor Governor	1
4	21012-B001-0000 Bottom Isolator	3	28	14100-A144-0000 Carburetor.....	1
5	21005-B001-0000 Mounting Plate.....	1	29	14201-A142-0000 Intake Pipe Gasket.....	1
6	01-02-0023 Bolt (M5 x 12 mm).....	16	30	14203-A142-0000 Intake Pipe Clip.....	2
7	01-02-0043 Bolt (M6 x 25 mm).....	5	31	14202-A142-0000 Intake Pipe Joint	1
8	16201-A142-0000 Cooling Fan.....	1	32	14223-A142-0000 Intake Pipe Nest.....	2
9	17102-A142-0000 Recoil Starter Cup Seat	1	33	14221-A142-0001 PVC Intake Pipe (Lower Cover).....	1
10	17101-A142-0000 Recoil Starter Driving Cup	1	34	14222-A142-0000 PVC Intake Pipe (Top Cover).....	1
11	01-02-0063 Bolt (M6 x 12 mm).....	1	35	01-01-1351 Screw (M4.2 x 8 mm).....	3
12	01-01-1571 Screw (M5 x 8 mm).....	8	36	14204-A142-0000 Air Cleaner Baffle	1
13	01-04-0121 Washer	26	37	14206-A142-0000 Air Filter Element.....	1
14	17201-A142-0000 Engine Shroud	1	38	14205-A142-0000 Air Cleaner Cover.....	1
15	01-03-0163 Nut (M5)	3	39	15001-A142-0000 Exhaust Pipe Gasket	1
16	16300-A142-0000 Rotor	1	40	15002-A142-0000 Exhaust Pipe Outlet	1
17	01-03-0173 Nut (M10)	1	41	15003-A142-0000 Muffler Gasket	1
18	16130-A142-0000 Magnet Coil Pick Up.....	1	42	15120-A142-0000 Muffler	1
19	16120-A142-0000 Ignition Coil.....	1	43	01-02-0071 Bolt (M6 x 40 mm).....	1
20	01-01-1501 Screw (M4.8 x 19 mm).....	2	44	01-02-0071 Bolt (M6 x 55 mm).....	2
21	14001-A142-0000 Insulating Gasket	1	45	ZJ158F-10-02-1 Spark Arrestor.....	1
22	14002-A142-0000 Carburetor Seat	1	46	ZJ158F-10-02-2 Spark Arrestor Bracket	1
23	14004-A142-0000 Carburetor Gasket	1	47	05-01-04-1181 Starter Recoil	1
24	14422-A142-0000 Lower Cover (Motor Governor).....	1	48	17131-A142-0000 Recoil Handle.....	1

NOTE A: OWT Industries, Inc., will not provide engines as replacement parts. Engines are covered through the engine manufacturer's warranty. Consult the accompanying engine manual or contact our service department for assistance.

* Not all parts shown on the exploded view are available. Some parts are shown to identify position and location of parts that are available.

DIGITAL INVERTER GENERATOR – MODEL NUMBER RYi1000

The model number will be found on a label attached to the motor housing. Always mention the model number in all correspondence regarding your **DIGITAL INVERTER GENERATOR** or when ordering parts.

PARTS LIST– FIGURE A

KEY NO.	PART NUMBER	DESCRIPTION	QTY	KEY NO.	PART NUMBER	DESCRIPTION	QTY
49	17132-A142-0000	Handle Cover	1	73	14309-A142-0000	Fuel Tank Support	3
50	21004-B001-0000	Handle Support.....	1	74	14350-A142-0000	Inline Fuel Filter	1
51	23002-B001-0000	Electrical Panel Inner Cover.....	1	75	TG2000I-02-9	Clamp (10 mm).....	1
52	23141-B001-0000	AC Socket Mat.....	1	76	14301-A142-0000	Fuel Tube (M4 x 8 mm).....	1
53	23130-B001-0000	DC Socket.....	1	77	308733008	Fuel Filter Inline (.25 in.).....	1
54	23140-B001-0002	AC Receptacle (15A).....	1	78	619711005	Fuel Valve	1
55	16150-A142-0000	Ignition Module	1	79	16302-A142-0001	Sleeve (8 mm).....	1
56	23101-B001-0000	Faceplate	1	80	14302-A142-0000	Fuel Tube (M4 x 8 mm).....	1
57	23160-B001-0000	Bridge Rectifier.....	1	81	TG2000I-02-8	Fuel Hose Clamp (M9.5 x 0.8 mm).....	8
58	760504009	Switch.....	1	82	308459007	Fuel Pump	1
59	01-01-1062	Screw (M5 x 16 mm).....	1	83	14303-A142-0000	Fuel Tube (M4 x 8 mm).....	1
60	01-04-0282	Washer (M5).....	3	84	14304-A142-0000	Vacuum Hose (Engine To Fuel Pump)	1
61	01-04-0292	Lock Washer (5 mm).....	1	85	14323-A142-0000	Switch Handle	1
62	01-03-0182	Nut (M5).....	2	86	03-03-1-0124	Fuel Hose (Filter To Valve)	1
63	06-03-312	Star Washer (6 mm).....	2	87	21130-B001-0000	Rubber Foot (Left)	2
64	17205-B001-0000	Ground Plate	1	88	21240-B001-0000	Rubber Foot (Right)	2
65	290991010	Inverter Module	1	89	21003-B001-0000	Housing Assembly w/Label (Left)	1
66	22002-B001-0000	Lower Support.....	2	90	12-01-0685	Maintenance Cover w/Seal.....	1
67	290514008	Wiring Harness	1	91	12-01-0684	Spark Plug Maintenance Cover	1
68	23106-B001-0000	Engine Switch.....	1	92	21220-B001-0000	Housing Assembly w/Label (Right).....	1
69	21101-B001-0000	Engine Switch Cover	1	93	23001-B001-0000	Front Panel w/Labels.....	1
70	12-01-0037	Fuel Cap	1	94	12-01-0686	Muffler Cover.....	1
71	TG2000I-02-3	Filter Cup.....	1	95	14311-A142-0001	Fuel Overspill Guard.....	1
72	310711167	Fuel Tank	1	96	940707036	Danger Icon Label (Sp).....	1

NOTE A: OWT Industries, Inc., will not provide engines as replacement parts. Engines are covered through the engine manufacturer's warranty. Consult the accompanying engine manual or contact our service department for assistance.
 * Not all parts shown on the exploded view are available. Some parts are shown to identify position and location of parts that are available.

DIGITAL INVERTER GENERATOR – MODEL NUMBER RYi1000

The model number will be found on a label attached to the motor housing. Always mention the model number in all correspondence regarding your **DIGITAL INVERTER GENERATOR** or when ordering parts.

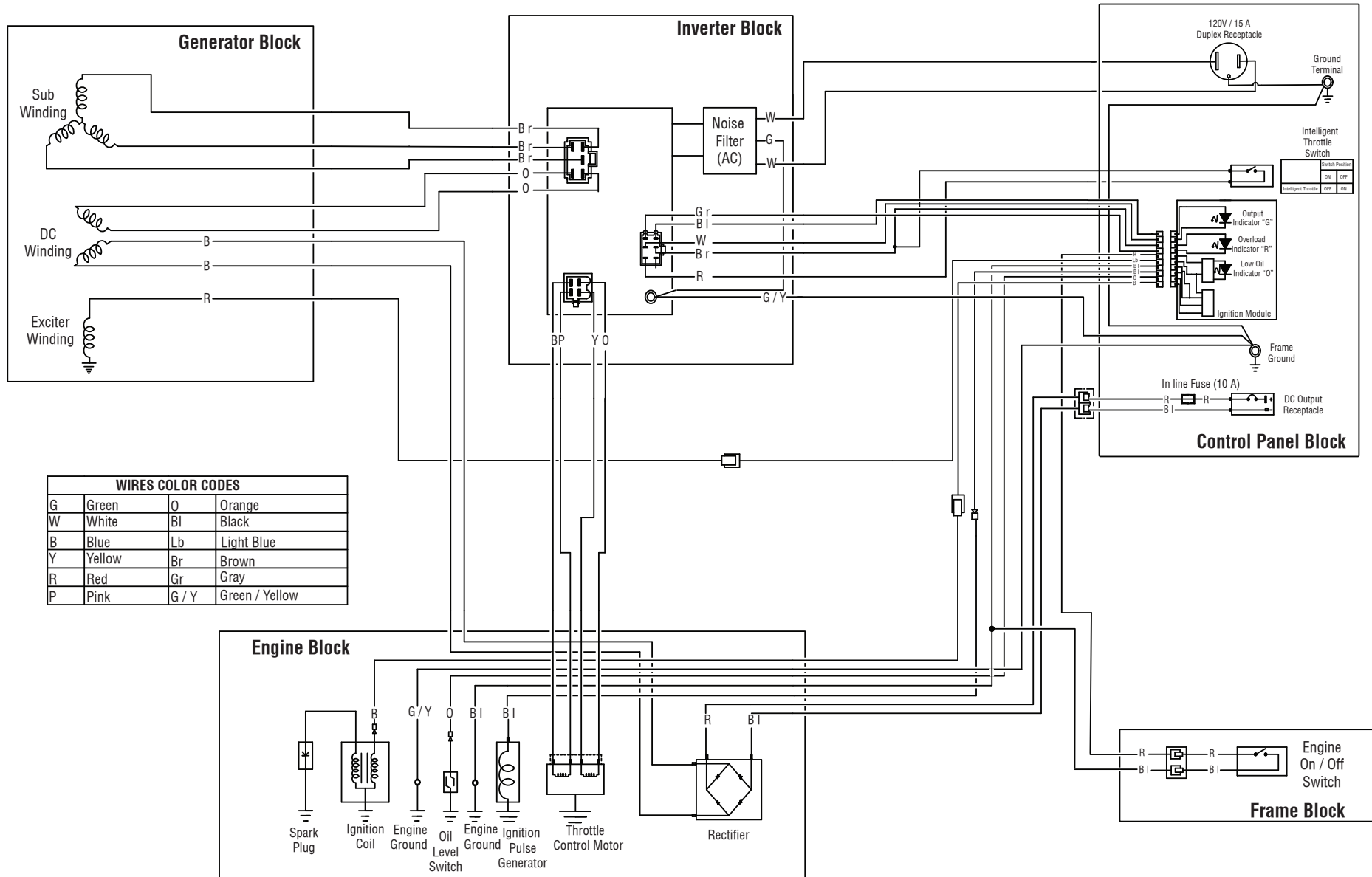
PARTS LIST– FIGURE A

KEY NO.	PART NUMBER	DESCRIPTION	QTY	KEY NO.	PART NUMBER	DESCRIPTION	QTY
97	940515017	CPSC Label.....	1	121	940678385	Data Label	1
98	01-01-1661	Screw (M4.2 x 16 mm).....	1	122	940974094	Fire Distance Label.....	1
99	01-01-1641	Screw (M4.2 x 12 mm).....	4	123	940748011	Ryobi Logo Label	1
100	01-01-1453	Screw (M4 x 16 mm).....	1	124	940617081	Start Label	1
101	01-01-1631	Screw (M4 x 8 mm).....	4	125	01-02-00311	Bolt (M5 x 20 mm)	6
102	01-02-0153	Screw (M6 x 10 mm).....	1	126	05-01-01-168	Cylinder Head Cover	1
103	16301-A142-0000	Heat Shrink Tube	1	127	06-06-329	Rocker Arm.....	2
104	01-01-1561	Screw (M5 x 20 mm).....	6	128	06.06.348	Valve Retainer.....	2
105	21011-B001-0000	Spacer	3	129	06-03-119	Valve Spring.....	2
106	01-03-0091	Nut (M5).....	2	130	03-03-1-021	Valve Seal	1
107	01-01-1591	Screw (M5 x 100 mm).....	2	131	03-03-1-011	Engine Ventilation Hose.....	1
108	01-01-1541	Screw (M4.8 x 16 mm).....	3	132	16200-A142-0000	Stator Assembly	1
109	01-01-1061	Screw (M5 X 16 mm)	2	133	03.03.1.023	Oil Sensor Seal.....	1
110	21133-B001-0000	Maintenance Cover Screw	1	134	02.33.09	Oil Sensor	1
111	940647057	Choke Label	1	135	01.06.0190	Engine Shaft Key	1
112	940947005	Combustion Label	1			Not Shown:	
113	940707085	Danger/E85 Label.....	1		120968011	High Altitude Kit (1500–7000 ft., Not Included)	
114	940513020	Ground Warning Label	1		290425003	DC Cable Assembly	
115	940680027	Hot Surface Label.....	1		23123-B001-0000	Spark Plug Wrench	
116	940708014	Lubricant Label.....	1		23124-B001-0000	Plug Wrench Rod	
117	940748009	Logo Label (Right)	1		991000460	Operator's Manual	
118	940748010	Logo Label (Left).....	1		991000461	Quick Reference Guide	
119	940779055	Performance Label	1				
120	940040020	Control Panel Label	1				

NOTE A: OWT Industries, Inc., will not provide engines as replacement parts. Engines are covered through the engine manufacturer's warranty. Consult the accompanying engine manual or contact our service department for assistance.

* Not all parts shown on the exploded view are available. Some parts are shown to identify position and location of parts that are available.

DIGITAL INVERTER GENERATOR – MODEL NUMBER RYi1000



Wiring Diagram