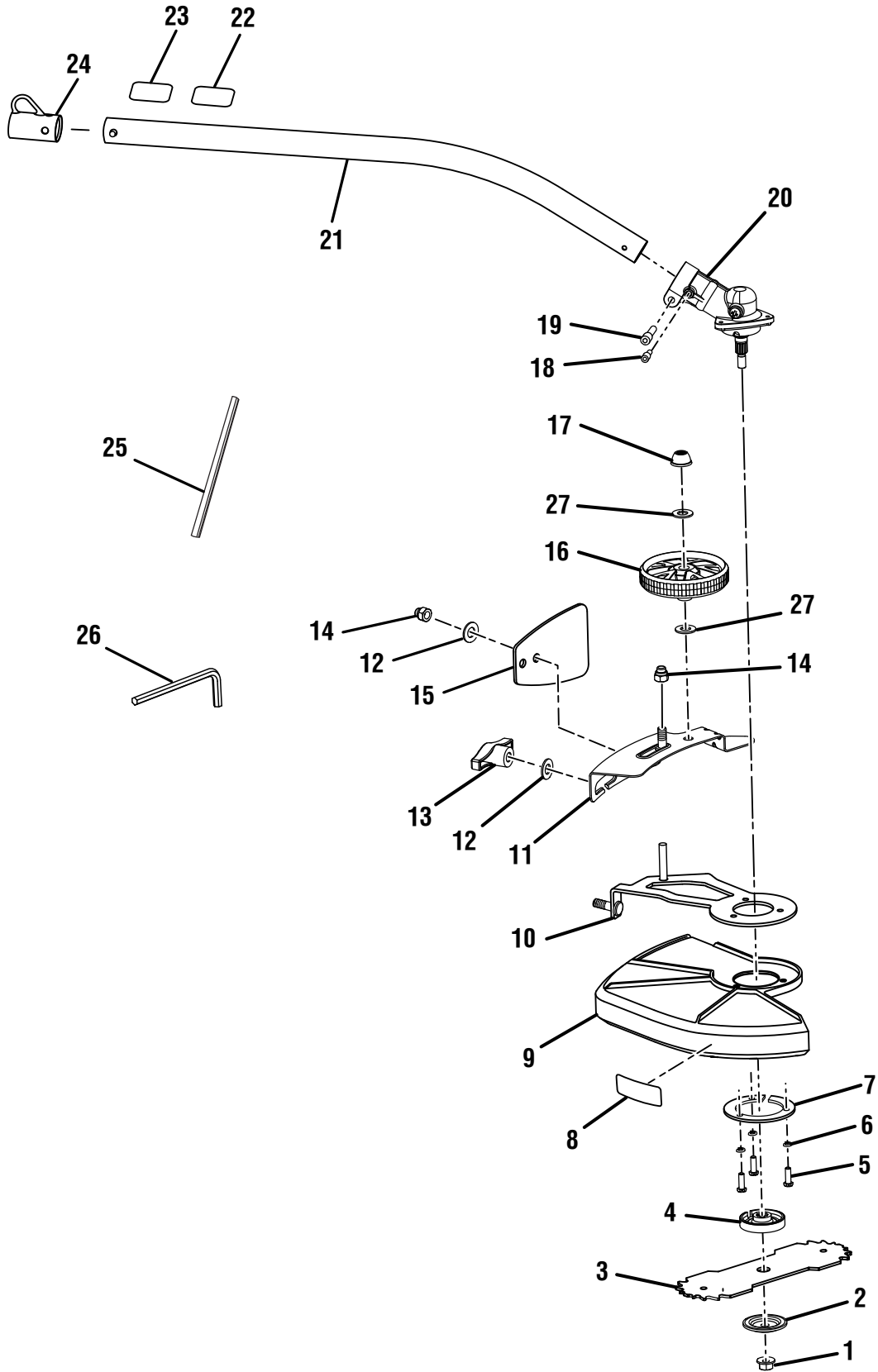


RYOBI
EXPAND-IT EDGER ATTACHMENT
ITEM NO. RYEDG11
MFG. NO. 090410008
REPAIR SHEET

RYOBI EXPAND-IT EDGER ATTACHMENT - ITEM NUMBER RYEDG11



RYOBI EXPAND-IT EDGER ATTACHMENT – ITEM NUMBER RYEDG11

The item number and manufacturing number can be found on a label attached to the unit. Always mention the item number and manufacturing number in all correspondence regarding your **EDGER ATTACHMENT** or when ordering repair parts.

PARTS LIST

| KEY NO. | PART NUMBER | DESCRIPTION | QTY |
|------------|----------------|--|-----|
| 1 | 678018001 | Blade Nut (M8, Left Hand Threads)..... | 1 |
| 2 | 638017001 | Cupped Washer..... | 1 |
| 3 | 638006008 | Blade | 1 |
| 4 | 678011001 | Flanged Washer..... | 1 |
| 5 | 660887001 | Screw (10-24 x 5/8in. Hex Hd.) | 3 |
| 6 | 678263001 | Lock Washer (5 mm)..... | 3 |
| 7 | 678262001 | Ring Washer | 1 |
| 8 | 940657011 | Warning Decal | 1 |
| 9 | 120530004 | Blade Guard (Inc. Key No. 8)..... | 1 |
| 10 | 310515001 | Main Frame | 1 |
| 11 | 310516001 | Wheel Frame | 1 |
| 12 | 678258001 | Washer (10 mm) | 2 |
| 13 | 308730003 | Adjusting Knob w/Hex Nut..... | 1 |
| 14 | 678259001 | Hex Nut w/Nylon Cap (5/16-18) | 2 |
| 15 | 561382002 | Debris Flap | 1 |
| 16 | 518665001 | Guide Wheel..... | 1 |
| 17 | 308483001 | Push Nut..... | 1 |
| 18 | 660641002 | Screw (10-24 x 5/8 in., Hex Soc. Hd.)..... | 1 |
| 19 | 660642002 | Screw (1/4-20 x 1-1/4 in., Hex Soc. Hd.) | 1 |
| 20 | 308210011 | Gear Head Assembly | 1 |
| 21 | 308933007 | Drive Shaft Assembly (Inc. Key Nos. 22-24)..... | 1 |
| 22 | 940726013 | Logo Label..... | 1 |
| 23 | 940657026 | Warning Label | 1 |
| 24 | 518019002 | Hanger Cap | 1 |
| 25 | 678020001 | Holding Pin..... | 1 |
| 26 | 638015003 | Hex Key (M4)..... | 1 |
| 27 | 678432002 | Washer (ID11 x OD 18 x 2t) | 2 |

NOT SHOWN:

991000564 Operator's Manual
6-24-15
(Rev:01)