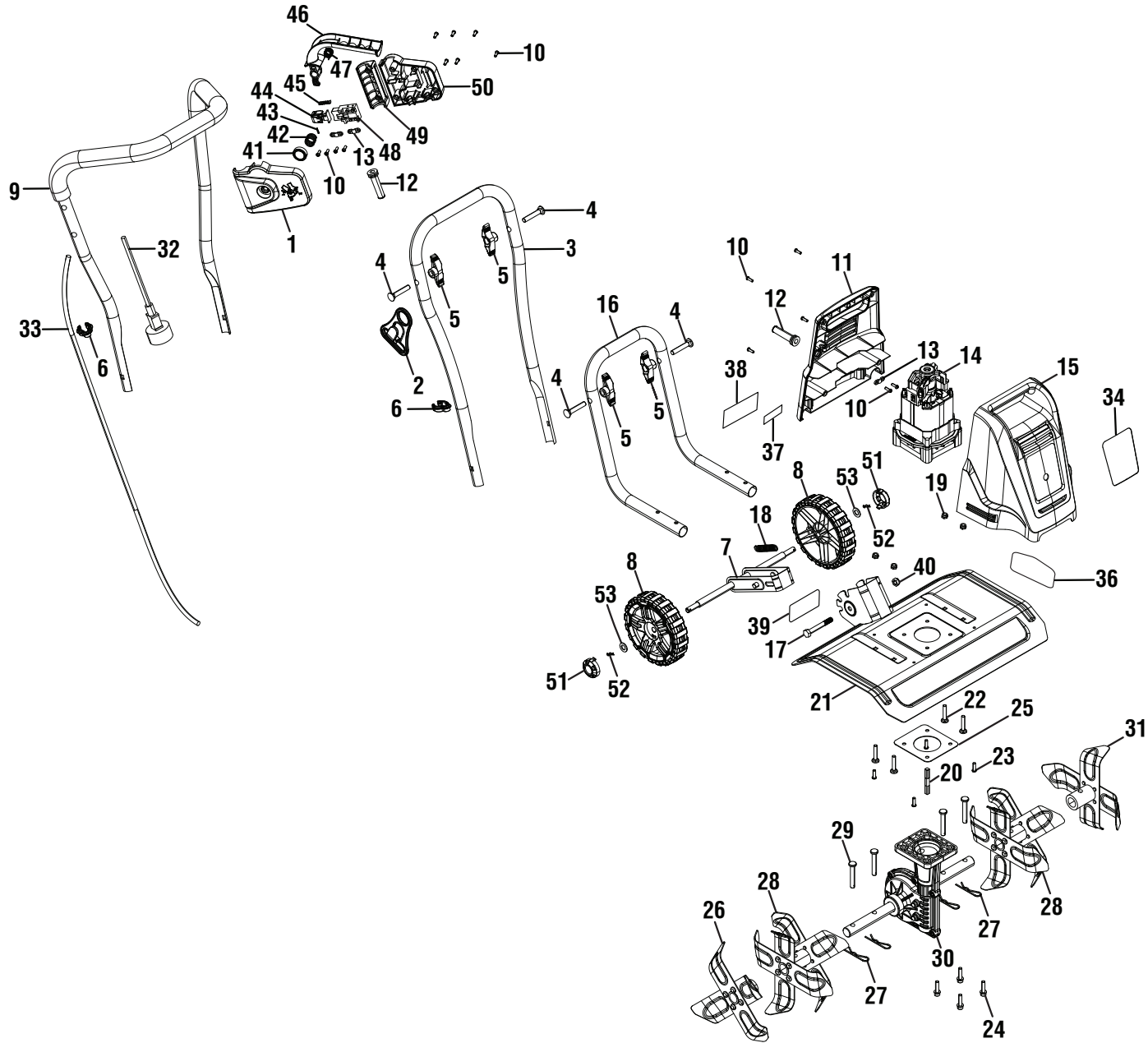


**RYOBI**  
**Electric Cultivator**  
**Model No. RYAC701**  
**Repair Sheet**

**TECHTRONIC INDUSTRIES POWER EQUIPMENT**

P.O. Box 1288, Anderson, SC 29622 USA  
1-800-860-4050 • [www.ryobitools.com](http://www.ryobitools.com)

FIGURE A

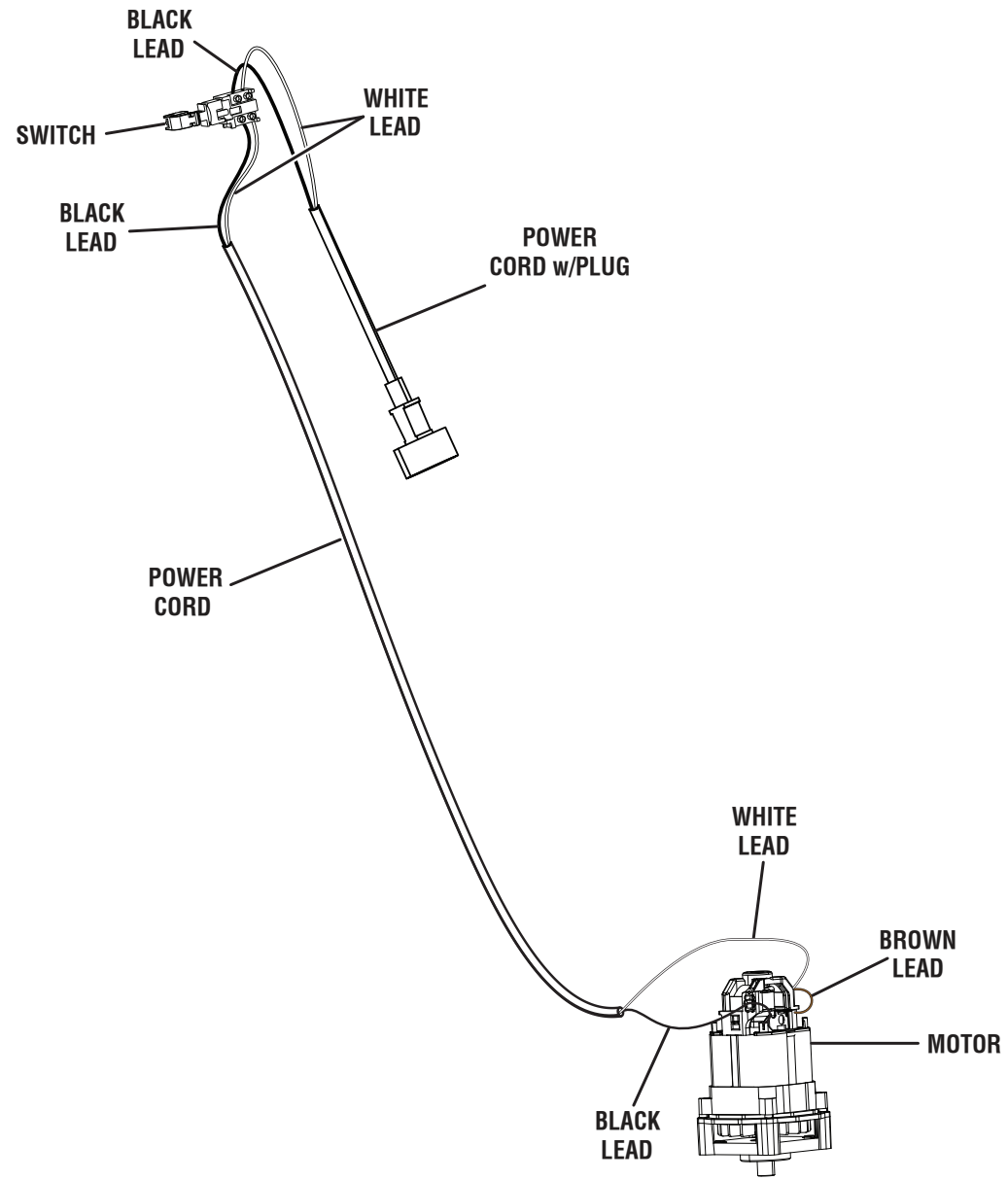


**RYOBI ELECTRIC CULTIVATOR MODEL NO. RYAC701**

**PARTS LIST (FIGURE A)**

<b>KEY NO.</b>	<b>PART NUMBER</b>	<b>DESCRIPTION</b>	<b>QTY</b>	<b>KEY NO.</b>	<b>PART NUMBER</b>	<b>DESCRIPTION</b>	<b>QTY</b>
1	996808001	Switch Box (Upper) .....	1	29	997121001	Clevis Pin.....	4
2	996816001	Cord Retainer .....	1	30	996954001	Transmission Assembly .....	1
3	996818001	Handle Frame (Middle) .....	1	31	996914001	Blade Assembly (Left).....	1
4	996814001	Carriage Bolt (M8 x 45 mm) .....	4	32	996960001	Power Cord w/Plug .....	1
5	996815001	Knob.....	4	33	996961001	Power Cord .....	1
6	996817001	Cord Hook.....	1	34	941021012	Logo Label.....	1
7	996940001	Wheel Height Adjusting Assembly .....	1	35	941021016	Icon Warning Label.....	1
8	996912001	Wheel Assembly .....	2	36	940851447	Warning Label (French/Spanish) .....	1
9	996891001	Handle Assembly (Upper).....	1	37	941021018	No Hands/No Feet Label.....	1
10	996799001	Screw (M4 x 12 mm, Pan Hd) .....	16	38	941021013	Data Warning Label .....	1
11	996827001	Motor Housing (Rear) .....	1	39	941021015	Wheel Adjustment Label .....	1
12	996798001	Bend Relief.....	2	40	996966001	Lock Nut (M8).....	1
13	996800001	Cord Clamp.....	3	41	996810001	Switch Button.....	1
14	996962001	Motor Assembly .....	1	42	996809001	Switch Button Spring .....	1
15	996828001	Motor Housing (Front) .....	1	43	996811001	Pin .....	1
16	996941001	Handle Frame (Lower) .....	1	44	996806001	Switch Push Rod.....	1
17	996924001	Bolt (M6 x 50 mm, Hex Hd.).....	1	45	996805001	Switch Push Rod Spring .....	1
18	996956001	Height Adjustment Spring .....	1	46	996804001	Trigger.....	1
19	996836001	Lock Nut (M6).....	4	47	996803001	Trigger Spring .....	1
20	996916001	Shaft.....	1	48	996807001	Switch.....	1
21	996955001	Blade Shield .....	1	49	996801001	Handle Fixing Plate .....	1
22	996849001	Carriage Bolt (M6 x 35 mm) .....	4	50	996802001	Switch Box (Lower) .....	1
23	996834001	Screw (M5 x 16 mm, Pan Hd) .....	4	51	996848001	Wheel Hub.....	2
24	996854001	Screw (M6 x 25 mm, Hex Soc. Hd.).....	4	52	996847001	Cotter Pin .....	2
25	996850001	Seal.....	1	53	996903001	Washer (ID10 x OD18 x 1.5t).....	2
26	996915001	Blade Assembly (Right) .....	1	<b>Not Shown:</b>			
27	997122001	Cotter Pin .....	4	995000657	Operator's Manual		
28	996902001	Blade Assembly.....	2	5-7-19			
				(Rev:02)			

FIGURE B



WIRING DIAGRAM