

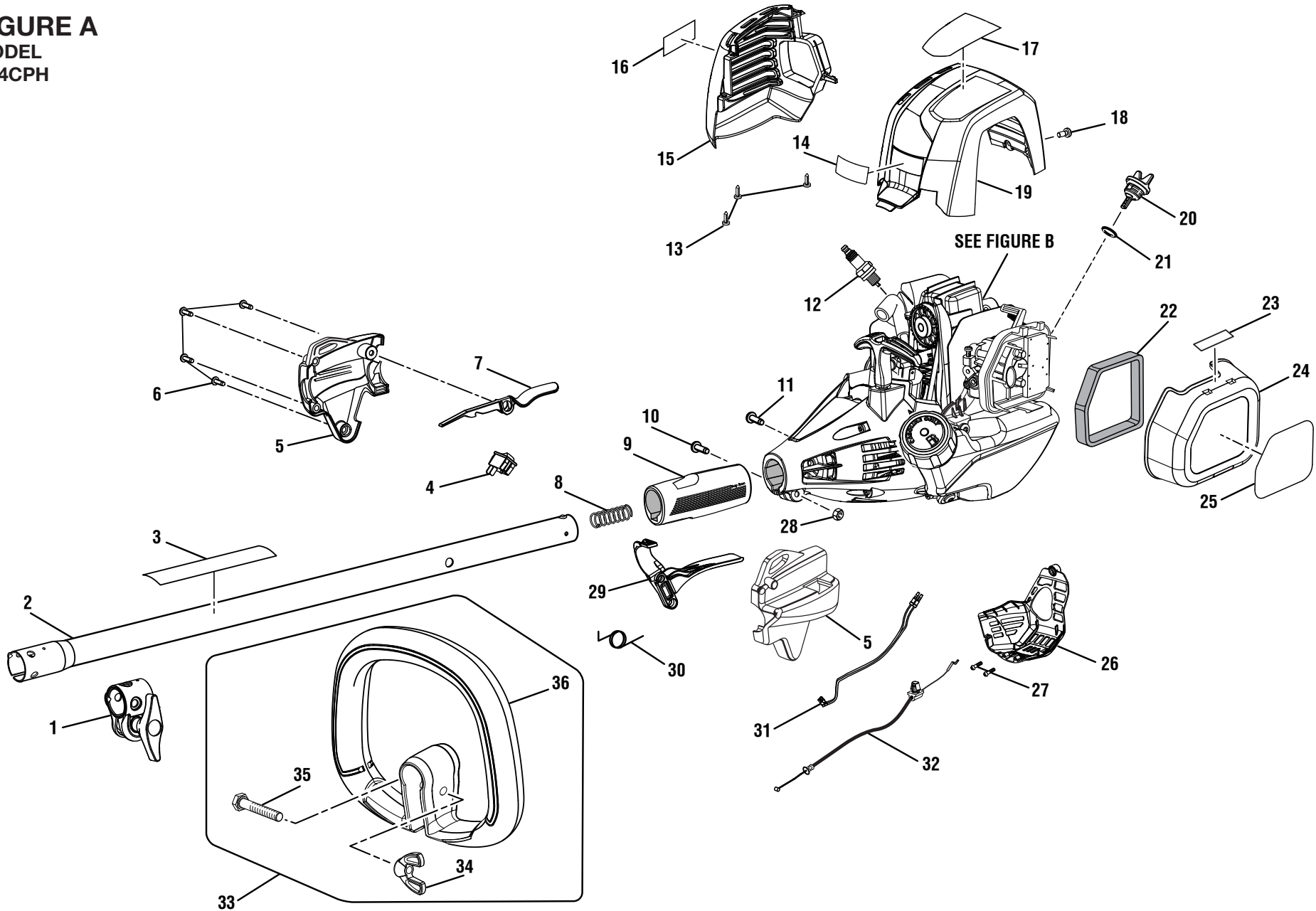
RYOBI
30cc String Trimmers
Mfg. No. 090432031, 090432029, and 090432030
Item No. RY4CPH, RY4CCS, RY4CSS
Repair Sheet

TECHTRONIC INDUSTRIES POWER EQUIPMENT

P.O. Box 1288, Anderson, SC 29622 USA
1-800-860-4050 • www.ryobitools.com

RYOBI STRING TRIMMERS ITEM NUMBERS – RY4CPH, RY4CCS, RY4CSS
MFG. NO. 090432031, 090432029, AND 090432030

FIGURE A
MODEL
RY4CPH



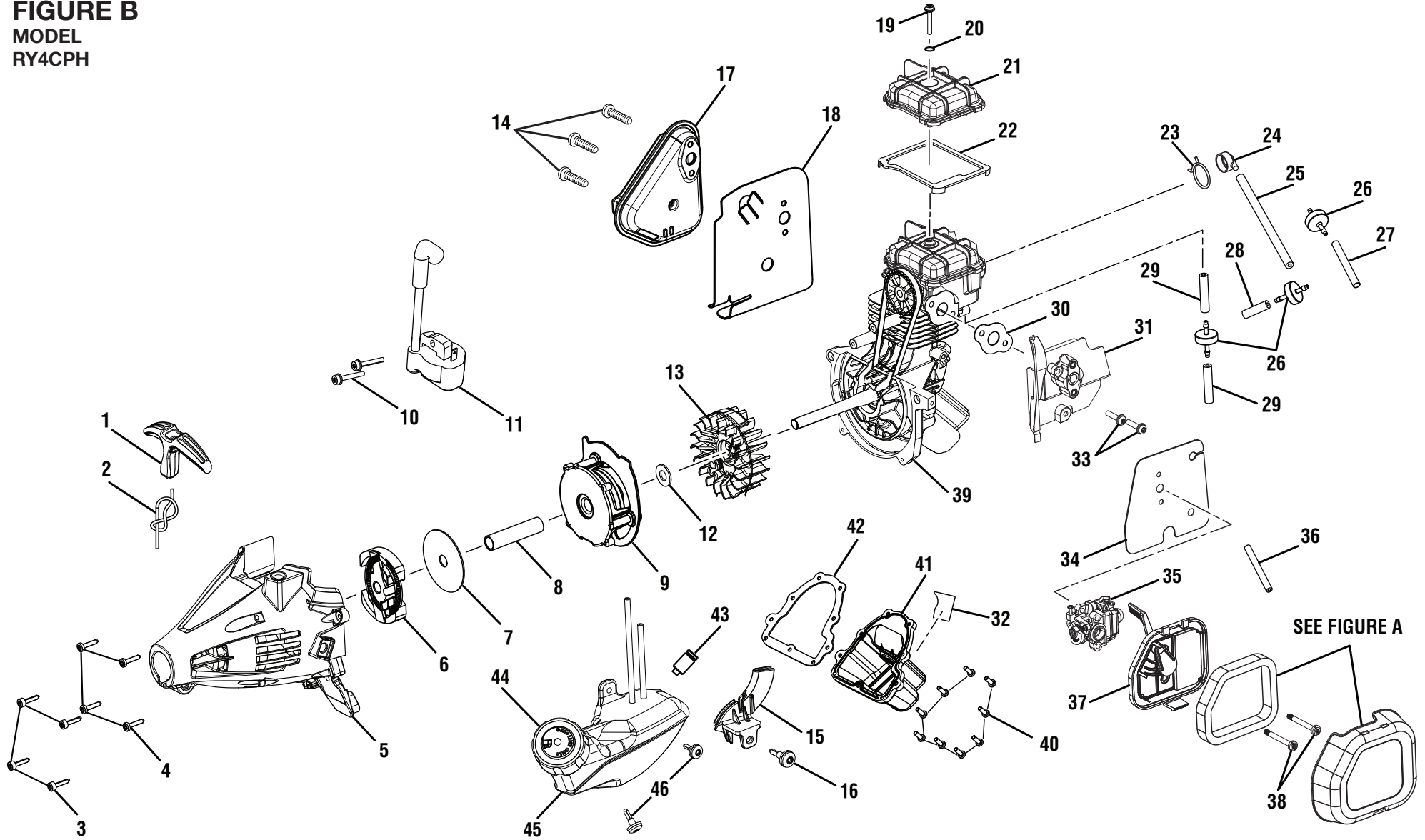
**RYOBI STRING TRIMMERS ITEM NUMBERS – RY4CPH, RY4CCS, RY4CSS
MFG. NO. 090432031, 090432029, AND 090432030**

PARTS LIST (FIGURE A)

KEY NO.	PART NUMBER	DESCRIPTION	QTY	KEY NO.	PART NUMBER	DESCRIPTION	QTY
1	312630001	Boom Clamp Assembly	1	20	310302001	Oil Cap/Dipstick (Inc. Key No. 21)	1
2	308470060	Upper Boom Assembly (Inc. Key Nos. 1 and 3)	1	21	570400001	O-Ring.....	1
3	940657164	Warning Label	1	22	901723001	Air Filter	1
4	760961002	Switch (Momentary Contact)	1	23	940647090	Choke Label.....	1
5	310831005	Control Handle Assembly (Inc. Key No. 6).....	1	24	311550001	Air Filter Cover (Inc. Key No. 23 and 25).....	1
6	660563002	Screw (M4 x 20 mm, T20 Torx Pan Hd.)	4	25	940686173	Starting Label.....	1
7	518695009	Trigger Lock	1	26	518548001	Bottom Cover.....	1
8	690140011	Compression Spring	1	27	T660619001	Screw (#6-19 x 1/2 in., Pan Hd. T.F.).....	2
9	570234010	Rear Handle	1	28	678029002	Hex Nut (M6)	1
10	660697002	Bolt (M6 x 20 mm, T27 Torx Button Hd.)	1	29	518696016	Throttle Trigger.....	1
11	660925011	Screw (M4 x 8 mm, T25 Torx Pan Hd. T.F.).....	1	30	690694002	Torsion Spring (Throttle Trigger).....	1
12	870301002 *	Spark Plug (Champion RY4C).....	1	31	308431006	Lead Assembly.....	1
13	660466002	Screw (M4 x 12 mm, T20 Truss Hd.).....	3	32	308842018	Throttle Cable.....	1
14	940705020	Logo Label	1	33	308991004	Front Handle Assembly (Inc. Key Nos. 34-35).....	1
15	311551001	Muffler Housing (Inc. Key No. 16)	1	34	518949001	Wing Nut (1/4-20).....	1
16	940654088	Combustion Warning Label	1	35	660643008	Screw (1/4-20 x 40 mm, Hex Hd.).....	1
17	940991037	X430 Label (RY4CPH)	1	36	527648001	Front Handle	1
	940991026	C430 Label (RY4CCS).....	1		Not Shown:		
	940991027	S430 Label (RY4CSS)	1		995000089	Operator's Manual	
18	660510008	Shoulder Screw (M4 x 11 mm, T25 Torx Pan Hd.).....	1		9-17-19		
19	518142003	Top Cover.....	1		(Rev:02)		

RYOBI STRING TRIMMERS ITEM NUMBERS – RY4CPH, RY4CCS, RY4CSS
MFG. NO. 090432031, 090432029, AND 090432030

FIGURE B
MODEL
RY4CPH



SEE FIGURE A

RYOBI STRING TRIMMERS ITEM NUMBERS – RY4CPH, RY4CCS, RY4CSS

MFG. NO. 090432031, 090432029, AND 090432030

PARTS LIST (FIGURE B)

KEY NO.	PART NUMBER	DESCRIPTION	QTY	KEY NO.	PART NUMBER	DESCRIPTION	QTY
1	525485001	Starter Grip.....	1	25	570710015	Breather Hose (120 mm).....	1
2	900849002	Starter Rope.....	1	26	308826002	Check Valve.....	3
3	660466001	Screw (M4 x 18 mm, T20 Torx Soc. Hd.).....	4	27	901666003	Shield Sleeve (M6 x 50 mm).....	1
4	660970001	Screw (M4 x 16 mm, T20 Torx Soc. Hd.).....	4	28	570710002	Breather Hose (24 mm).....	1
5	310304001	Starter Housing Assembly.....	1	29	570710003	Breather Hose (34 mm, Crankcase).....	2
6	300960002	Clutch Assembly.....	1	30	901657003	Heat Dam Gasket.....	1
7	638090001	Washer (ID9.63 x OD50.75 x 1.10t).....	1	31	531999001	Heat Dam.....	1
8	638284002	Spacer.....	1	32	940680023	Hot Surface Label.....	1
9	310305001	Starter Housing Assembly.....	1	33	660629003	Screw (M5 x 23 mm, T25 Torx Pan Hd.).....	2
10	660968001	Screw (M4 x 19 mm, T20 Torx Pan Hd.).....	2	34	900809013	Heat Shield w/Gasket (Carburetor).....	1
11	309263002	Ignition Module.....	1	35	309375002	Carburetor.....	1
12	650017001	Washer (ID9.75 x OD20 x 1.6t).....	1	36	570710004	Breather Hose (50 mm).....	1
13	309011001	Flywheel Assembly.....	1	37	308398009	Air Box Base Assembly.....	1
14	661143001	Screw (M5 x 42 mm, T25 Torx Truss Hd.).....	3	38	660454015	Screw (M5 x 44 mm, T20 Torx Hd.).....	2
15	526450001	Throttle Cable Guide.....	1	39	309962032	Short Block Assembly.....	1
16	660970008	Shoulder Screw (M4 x 19 mm, T25 Torx Truss Hd.).....	1	40	660925003	Screw (M4 x 12 mm, T20 Torx Hd.).....	9
17	309320002	Muffler Assembly.....	1	41	340205001	Oil Pan (Inc. Key No. 47).....	1
18	901702001	Muffler Gasket.....	1	42	570709002	Oil Pan Gasket.....	1
19	660780002	Screw (M4 x 27 mm, T20 Torx Truss Hd.).....	1	43	310976001	Fuel Filter.....	1
20	570400002	O-Ring.....	1	44	310816017	Fuel Cap Assembly.....	1
21	640306001	Cam Cover.....	1	45	310585012	Fuel Tank w/Cap (Inc. Key Nos. 43-44).....	1
22	901705003	Cam Cover Gasket.....	1	46	660970002	Shoulder Screw (M4 x 14 mm, T25 Torx Truss Hd.).....	2
23	678850001	Wire Clamp.....	1		Not Shown:		
24	570401002	Breather Fitting.....	1		120900188	High Altitude Kit	

RYOBI STRING TRIMMERS ITEM NUMBERS – RY4CPH, RY4CCS, RY4CSS
MFG. NO. 090432031, 090432029, AND 090432030

FIGURE C
ITEM
RY4CCS

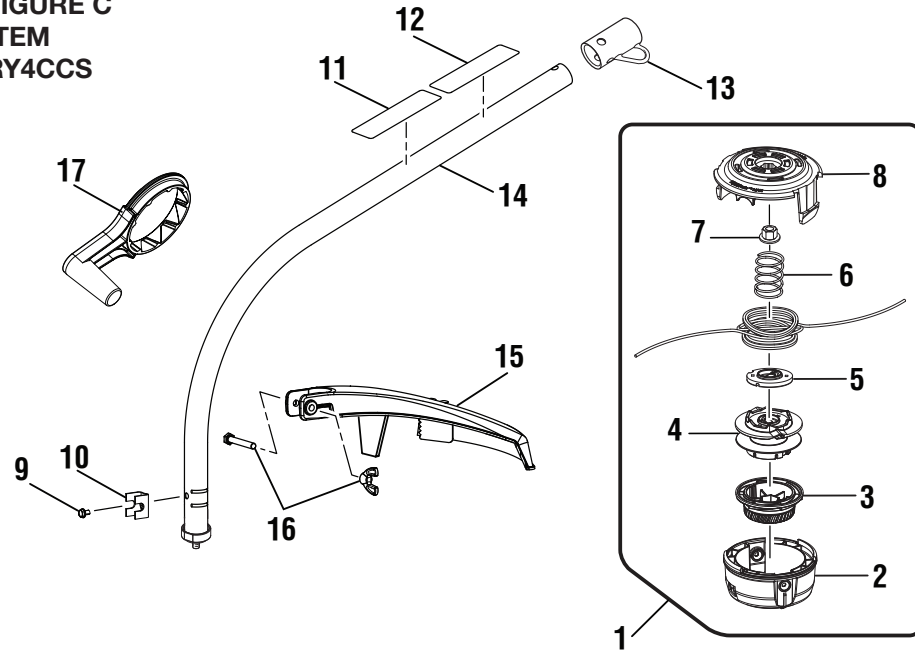
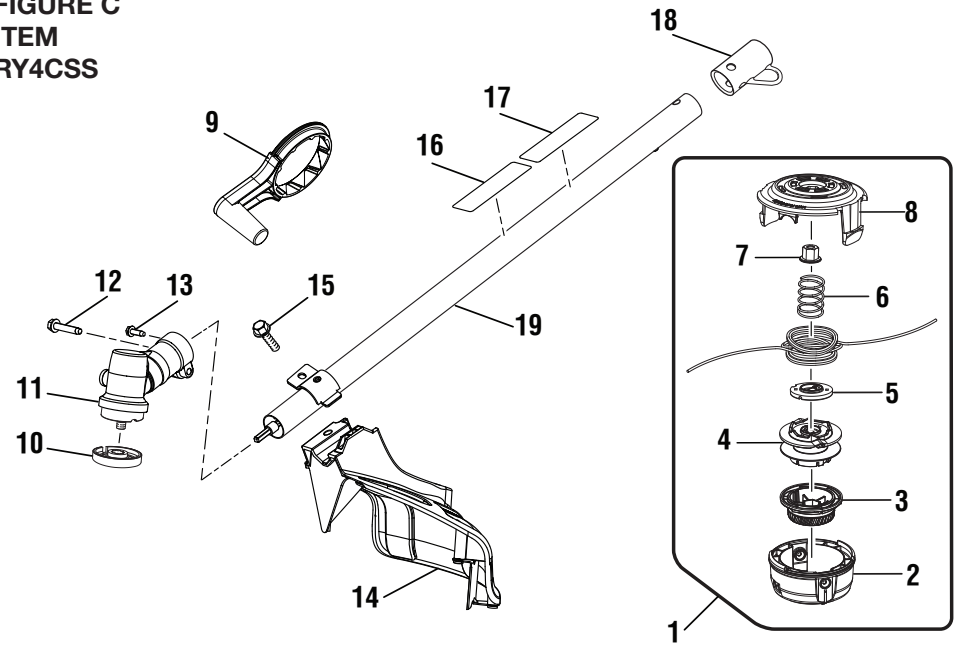


FIGURE C
ITEM
RY4CSS



KEY NO.	PART NUMBER	DESCRIPTION	QTY
1	311759013	Trimmer Head Assembly (.095) (Inc. Key Nos. 2-8).....	1
2	530366001	Lower Housing	1
3	530455002	Bump Knob (Green).....	1
4	530670001	Spool	1
5	529803001	String Guide.....	1
6	678749001	Compression Spring.....	1
7	662569001	Hex Nut (M8).....	1
8	530001004	Upper Housing	1
9	660647001	Screw (#10-32 x 3/8 in., Hex Washer Hd. S.T.)	1
10	638001001	Clamp	1
11	940726013	Expand-it Label	1
12	940657165	Warning Icon Label.....	1
13	518019002	Storage Hanger Cap.....	1
14	307486002	Curved Shaft Assembly (Inc. Key Nos. 9-13)	1
15	308744010	Grass Deflector Assembly (Inc. Key No. 16)	1
16	205012001	Fastener Kit	1
17	312283001	Crank Handle.....	1

KEY NO.	PART NUMBER	DESCRIPTION	QTY
1	311759014	Trimmer Head Assembly (.095) (Inc. Key Nos. 2-8)	1
2	530366001	Lower Housing	1
3	530455002	Bump Knob (Green)	1
4	530670001	Spool	1
5	529803001	String Guide	1
6	678749001	Compression Spring	1
7	662568002	Hex Nut (M8, L.H. Thread)	1
8	530001004	Upper Housing	1
9	312283001	Crank Handle	1
10	678011001	Flanged Washer	1
11	308210009	Gear Case Assembly.....	1
12	660642001	Screw (1/4-20 x 1-1/4 in., Hex Washer Hd. S.T.)	1
13	660641001	Screw (10-24 x 5/8 in., Hex Washer Hd. S.T.)	1
14	308473005	Grass Deflector Assembly (Inc. Key No. 15).....	1
15	660738002	Screw (1/4-20 x 1-1/4 in., Hex Washer Hd.)	1
16	940726013	Expand-it Label	1
17	940657165	Warning Icon Label	1
18	518019002	Storage Hanger Cap	1
19	308035047	Straight Shaft Assembly (Inc. Key Nos. 16-18).....	1