

RYOBI
13 Amp 16 in. Electric Chain Saw
Item No. RY43155
Mfg. No. 099223001
Repair Sheet

TECHTRONIC INDUSTRIES POWER EQUIPMENT

P.O. Box 1288
Anderson, SC 29622
Phone 1-800-860-4050
www.ryobitools.com

RYOBI 16 in. ELECTRIC CHAIN SAW – ITEM NO. RY43155

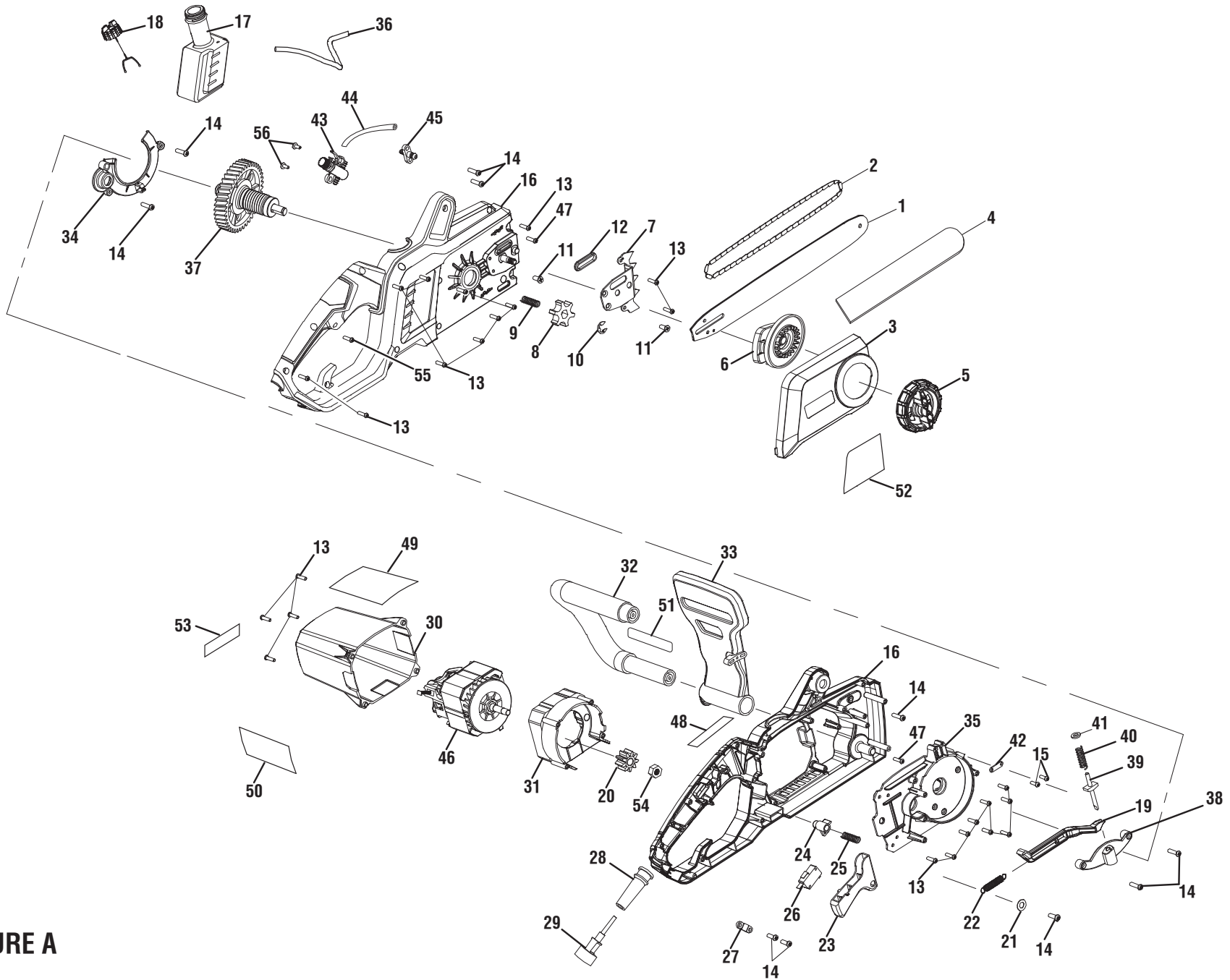


FIGURE A

RYOBI 16 in. ELECTRIC CHAIN SAW – ITEM NO. RY43155

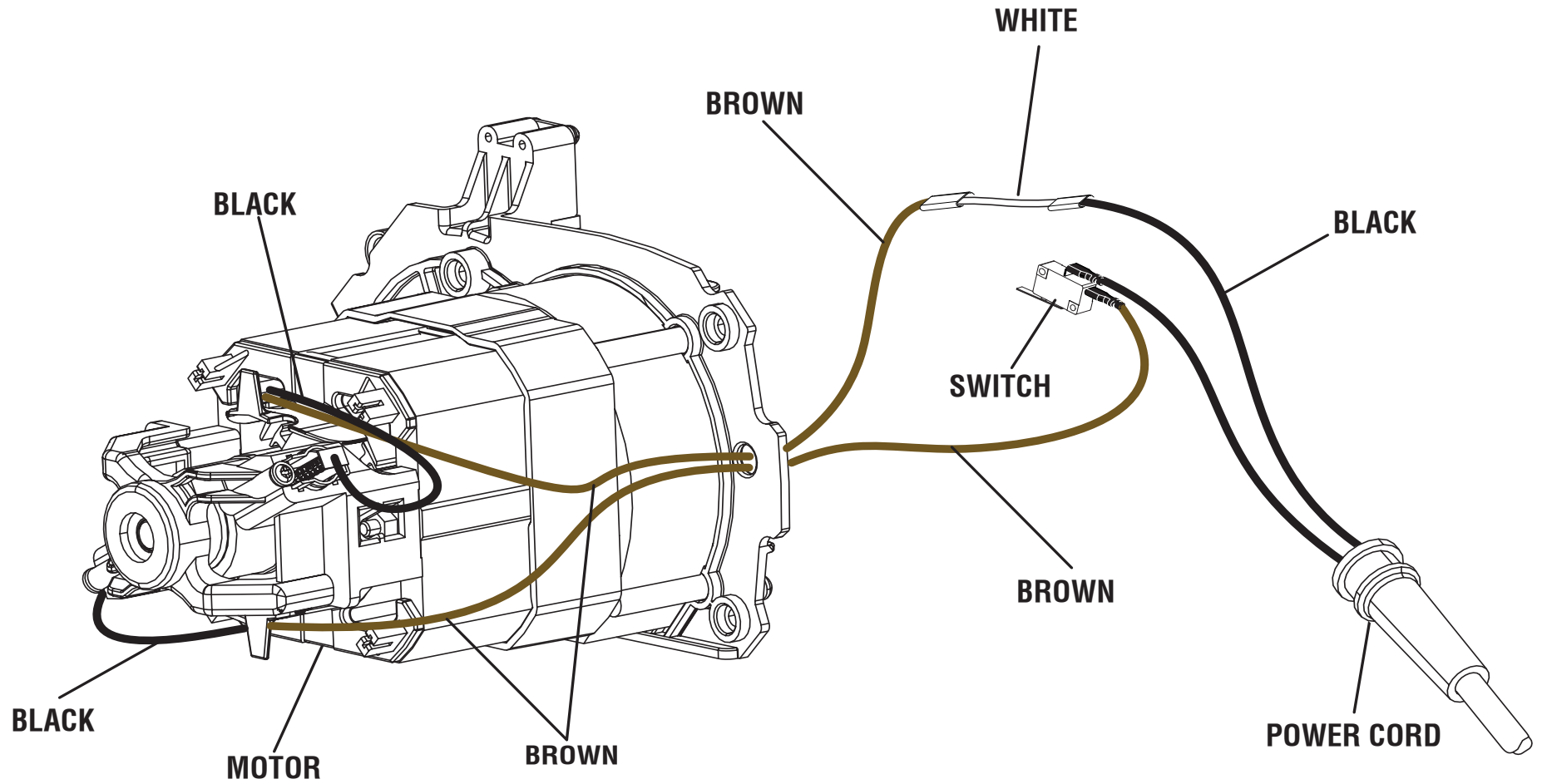
The model number will be found on a label attached to the housing. Always mention the model number in all correspondence regarding your **CHAIN SAW** or when ordering replacement parts.

PARTS LIST

KEY PART NO. NUMBER	DESCRIPTION	QTY	KEY PART NO. NUMBER	DESCRIPTION	QTY	KEY PART NO. NUMBER	DESCRIPTION	QTY
1	099223001001 Guide Bar	1	20	099223001050 Sprocket	1	42	099223001042 Clamp (Brake Bar)	1
2	099223001002 Chain	1	21	099223001021 Washer	1	43	099223001043 Oil Pump	1
3	099223001003 Bar Cover Assembly (Inc. Key No. 52)	1	22	099223001022 Compression Spring	1	44	099223001044 Oil Tube	1
4	099223001004 Scabbard	1	23	099223001023 Trigger	1	45	099223001045 Oil Outlet	1
5	099223001005 Chain Adjusting Knob Assembly	1	24	099223001024 Lock-Off Button	1	46	099223001046 Motor Assembly	1
6	099223001006 Chain Tensioner Assembly ...	1	25	099223001025 Compression Spring	1	47	099223001047 Screw (M5 x 20 mm, Pan Hd.)	2
7	099223001007 Guide Plate w/Spike Bar	1	26	099223001026 Switch	1	48	941851243 Data Label	1
8	099223001008 Chain Sprocket	1	27	099223001027 Cord Clamp	1	49	941851244 Danger/Warning Top Label ...	1
9	099223001009 Compression Spring	1	28	099223001028 Bend Relief	1	50	941851245 Warning Side Label	1
10	099223001010 E-Clip (Retaining Ring)	1	29	099223001029 Power Cord	1	51	941851246 Warning Icons Label (FR/SP)	1
11	099223001011 Screw (M4 x 10 mm, Pan Hd.)	2	30	099223001030 Motor Cover (Inc. Key Nos. 49-50 & 53) ...	1	52	940705432 Ryobi Logo Label (Bar Cover)	1
12	099223001012 Seal Ring	1	31	099223001031 Front Motor Bracket	1	53	941545002 Ryobi Logo Label (Motor Housing)	1
13	099223001013 Screw (M4 x 16 mm, Pan Hd.)	23	32	099223001032 Front Handle	1	54	099223001051 Flange Nut (M8)	1
14	099223001014 Screw (M4 x 12 mm, Pan Hd.)	10	33	099223001033 Front Handle Guard (Inc. Key No. 51)	1	55	099223001048 Screw (M3 x 12 mm, Pan Hd.)	1
15	099223001015 Screw (M3 x 8 mm, Pan Hd.)	2	34	099223001034 Dust Shield	1	56	099223001049 Screw (M3 x 8 mm, Pan Hd.)	2
16	099223001016 Housing Assembly (Inc. Key No. 48)	1	35	099223001035 Motor Bracket	1			
17	099223001017 Oil Tank Assembly	1	36	099223001036 Oil Tube	1			
18	099223001018 Oil Tank Cap Assembly	1	37	099223001037 Output Shaft Gear Assembly	1			
19	099223001019 Push Rod	1	38	099223001038 Brake Bar Plate	1			
			39	099223001039 Brake Bar	1			
			40	099223001040 Compression Spring	1			
			41	099223001041 Washer	1			

Not Shown:

995000890 Operator's Manual
5-24-19
(Rev:01)



WIRING DIAGRAM