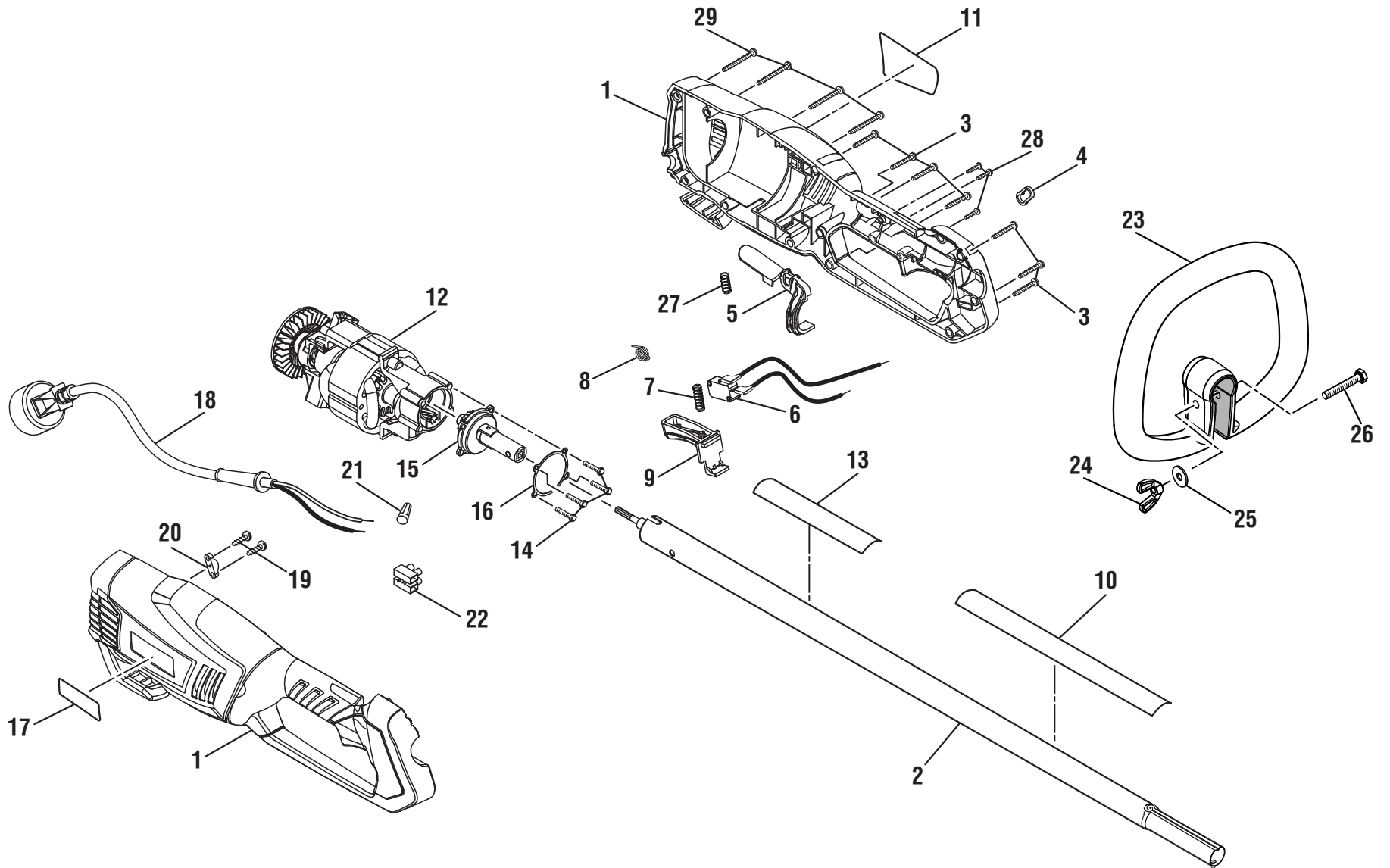


STRING TRIMMER – MODEL NO. RY41130A

FIGURE A  
FIGURA A



## STRING TRIMMER – MODEL NO. RY41130A

The model number will be found on a label attached to the motor housing. Always mention the model number in all correspondence regarding your **STRING TRIMMER** or when ordering parts.

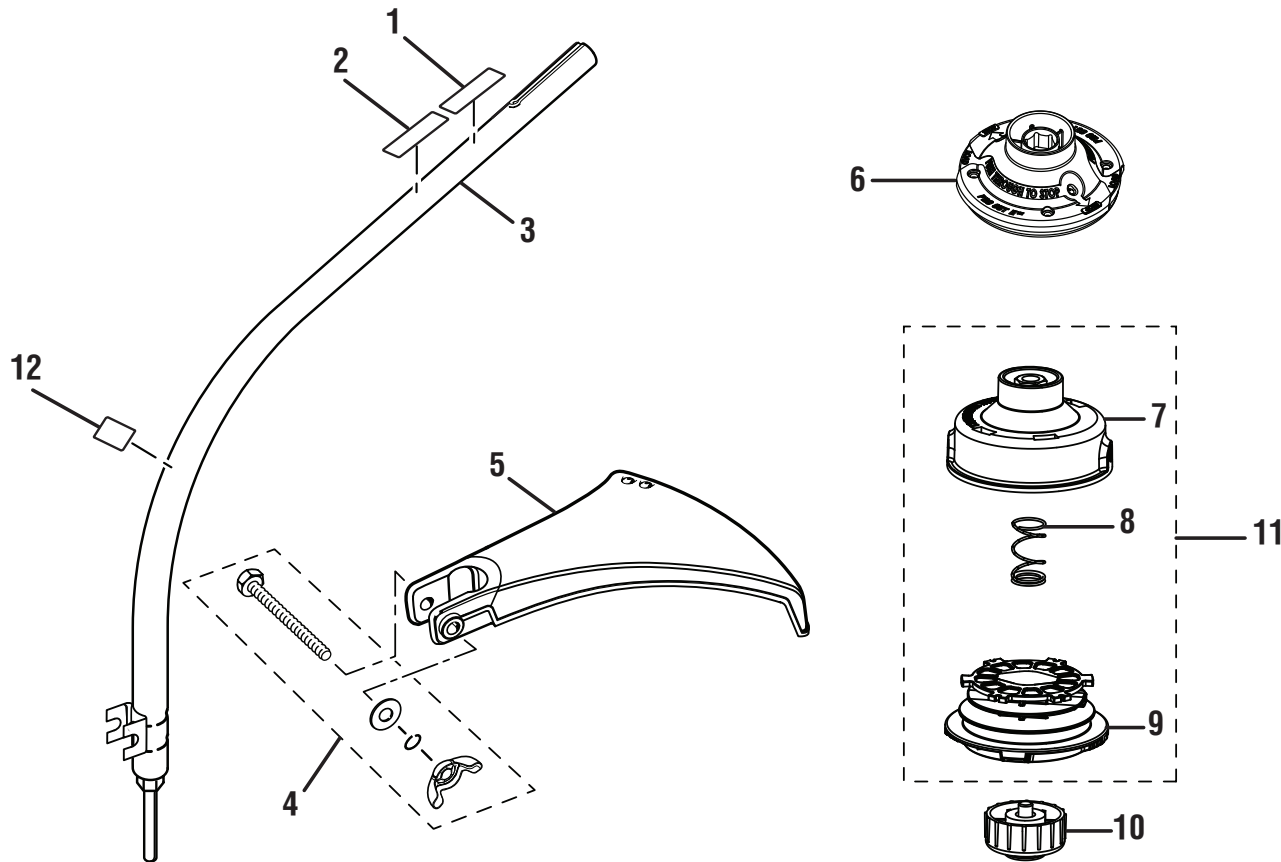
### PARTS LIST

KEY NO	PART NUMBER	DESCRIPTION	QTY	KEY NO	PART NUMBER	DESCRIPTION	QTY
1	31301511AG	Housing Assembly .....	1	16	34201511G	Rubber Gasket.....	1
2	31110711G	Boom Assembly (Incl. Key Nos. 10 and 13).....	1	17	099627001003	Logo Label .....	1
3	3220313G	Screw (M4 x 14 mm).....	7	18	31102511G	Power Cord Assembly .....	1
4	33301511G	Strap Hook.....	1	19	3220345G	Screw (M3.5 x 12 mm).....	2
5	34101511AG	Lock-Out Lever .....	1	20	3410801G	Cord Clamp .....	1
6	31109511G	Switch Assembly w/Leads.....	1	21	36504161G	Wire Nut .....	1
7	33904511G	Compression Spring .....	1	22	36404167G	Terminal Block .....	1
8	33901511G	Torsion Spring.....	1	23	308991001	Front Handle Assembly (Inc. Key Nos. 24-26) .....	1
9	34101711G	Switch Trigger .....	1	24	34104511G	Wing Nut (1/4-20).....	1
10	099919001902	Warning Label (French and Spanish).....	1	25	678008001	Washer (1/4 in.).....	1
11	941588009	Data Label/Warning Label (English) .....	1	26	660643008	Bolt (1/4-20 x 40 mm) .....	1
12	36101511G	Motor Assembly.....	1	27	33902511G	Compression Spring .....	1
13	940657056	Icon Strip Label.....	1	28	32202301G	Screw (M2.9 x 10 mm).....	3
14	3220205G	Screw (M4 x 10 mm).....	4	29	3220106G	Screw (M4 x 18 mm).....	4
15	31105511G	Gear Assembly .....	1	<b>Not Shown:</b>			
					988000862	Operator's Manual	
					5-2-12 (REV:01)		

**NOTE:** The assembly shown represents an important part of the double insulated system. To avoid the possibility of alteration or damage to the System, service should be performed by your nearest authorized repair center. Contact your nearest retail store for service center information.

STRING TRIMMER – MODEL NO. RY41130A

FIGURE B  
FIGURA B



KEY NO.	PART NUMBER	DESCRIPTION	QTY.	KEY NO.	PART NUMBER	DESCRIPTION	QTY.
1	940657032	Warning Label.....	1	7	310643001	Reel Easy String Head Housing .....	1
2	940726013	Logo Label.....	1	8	678022001	Spring .....	1
3	31109711G	Curved Shaft Assembly .....	1	9	310412001	Spool .....	1
4	120642001	Fastener Kit .....	1	10	308042002	Spool Retainer .....	1
5	308052009	Grass Deflector.....	1	11	309562001	Reel Easy String Head Assembly .....	1
6	308925015	Pro Cut II String Head .....	1	12	940680037	Hot Surface Label.....	1