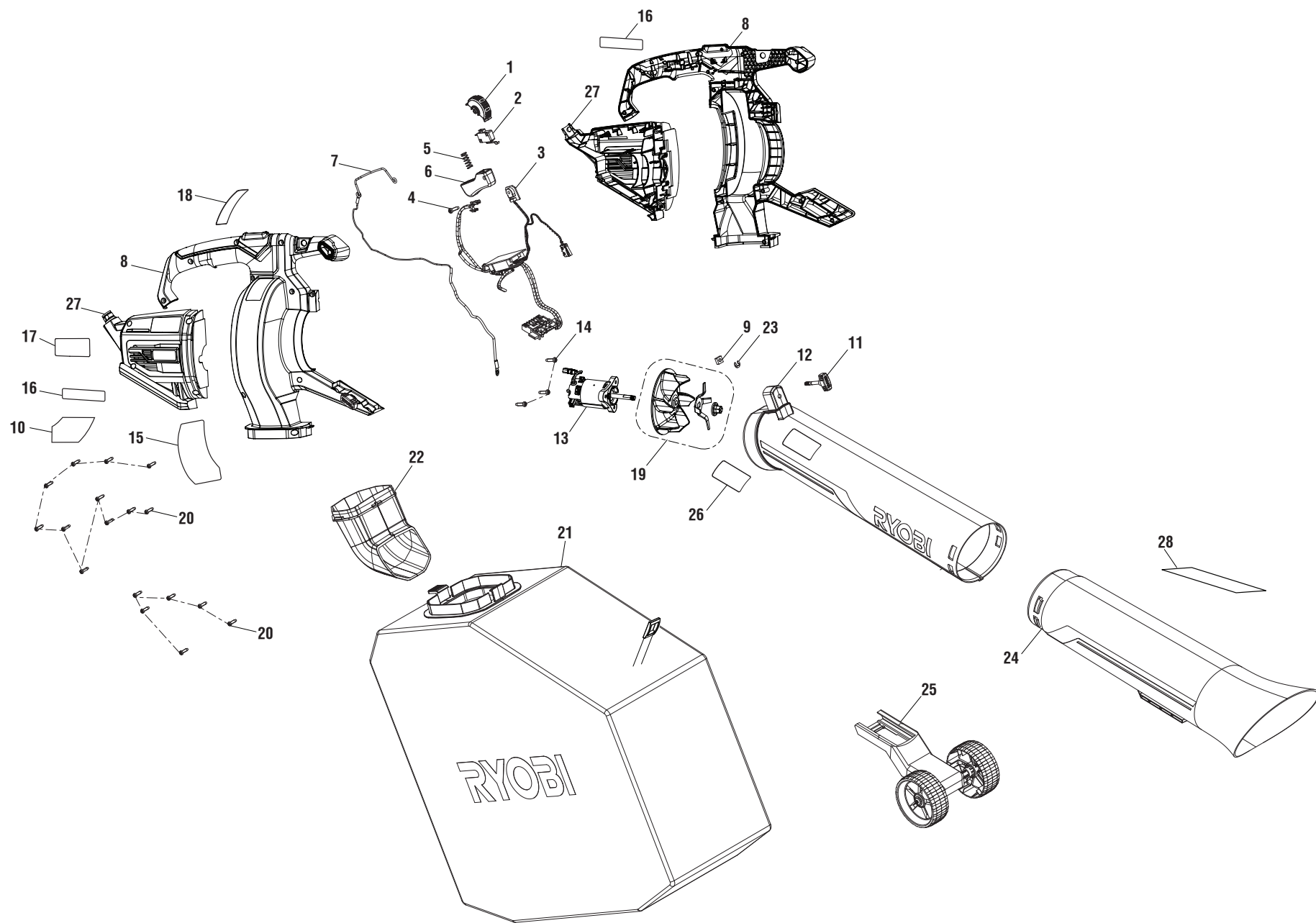


RYOBI
40 Volt Leaf Vac
Item No. RY40405
Mfg. No. 107835001
Repair Sheet

TECHTRONIC INDUSTRIES POWER EQUIPMENT

P.O. Box 1288, Anderson, SC 29622 USA
1-800-860-4050 • www.ryobitools.com

RYOBI 40V LEAF VAC – MODEL NUMBER RY40405



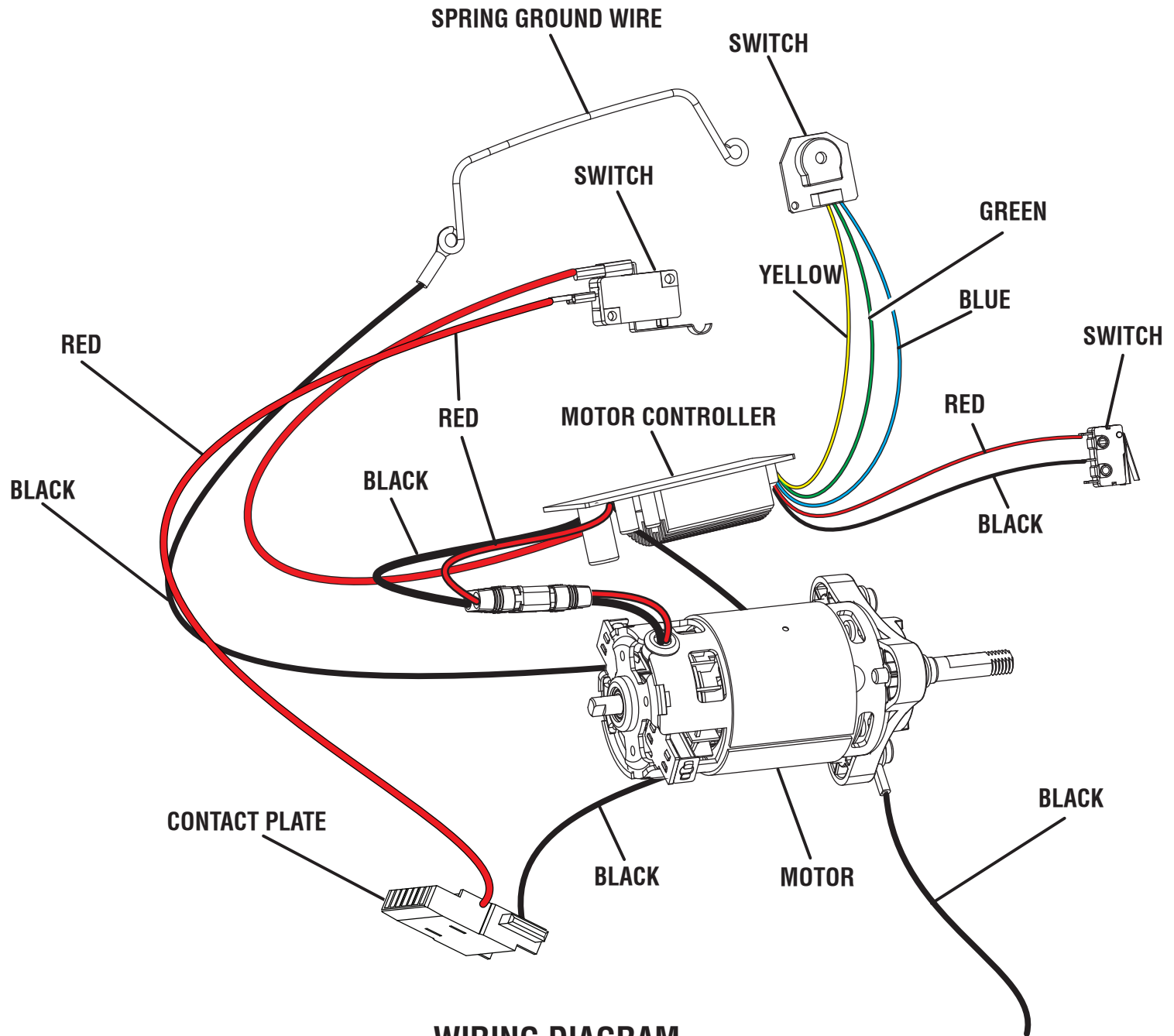
RYOBI 40V LEAF VAC – MODEL NUMBER RY40405

The model number will be found on a label attached to the motor housing. Always mention the model number in all correspondence regarding your **LEAF VAC** or when ordering repair parts.

PARTS LIST

KEY NO.	PART NUMBER	DESCRIPTION	QTY	KEY NO.	PART NUMBER	DESCRIPTION	QTY
1	205104001	Dial Lever Assembly	1	17	941851060	Data Label (RY40405).....	1
2	760629001	Switch (Micro).....	1	18	940851436	Warning Icon Label.....	1
3	205105001	Motor Controller & Battery Holder Assembly ...	1	19	205111001	Blade Assembly.....	1
4	660203073	Screw (M3 x 6 mm, Pan Hd.).....	1	20	661817001	Screw (M4 x 14 mm, T15 Torx Pan Hd.).....	17
5	695017001	Compression Spring.....	1	21	205110001	Bag Assembly.....	1
6	536363001	Trigger.....	1	22	314009001	Leaf Chute	1
7	205106001	Hand Wire Assembly	1	23	658178001	Retaining Ring	1
8	205107001	Handle Housing Assembly (Inc. Key Nos. 10, 15 & 18)	1	24	205113001	Lower Tube Assembly (Inc. Key No. 28).....	1
9	T662805001	Square Nut (M5).....	1	25	314148001	Wheel Assembly	1
10	940657323	Caution Label	1	26	941851064	Start Label	1
11	533088002	Knob	1	27	205109001	Motor Housing Assembly (Inc. Key Nos. 16-17, RY40405)	1
12	205108001	Upper Tube Assembly (Inc. Key No. 26).....	1	28	940705441	Vac Attack Label.....	1
13	205112001	Motor Assembly	1		Not Shown:		
14	662052001	Screw (M5 x 15.5 mm, T25 Torx Pan Hd.).....	3		995000561	Operator's Manual	
15	941851061	Warning Label (French & Spanish)	1		7-12-19		
16	941851059	Logo Label.....	2		(Rev:03)		

RYOBI 40V LEAF VAC – MODEL NUMBER RY40405



WIRING DIAGRAM