

**RYOBI**  
**String Trimmer**  
**Item No. RY40204**  
**Manufacturing No. 107283001**  
**Repair Sheet**

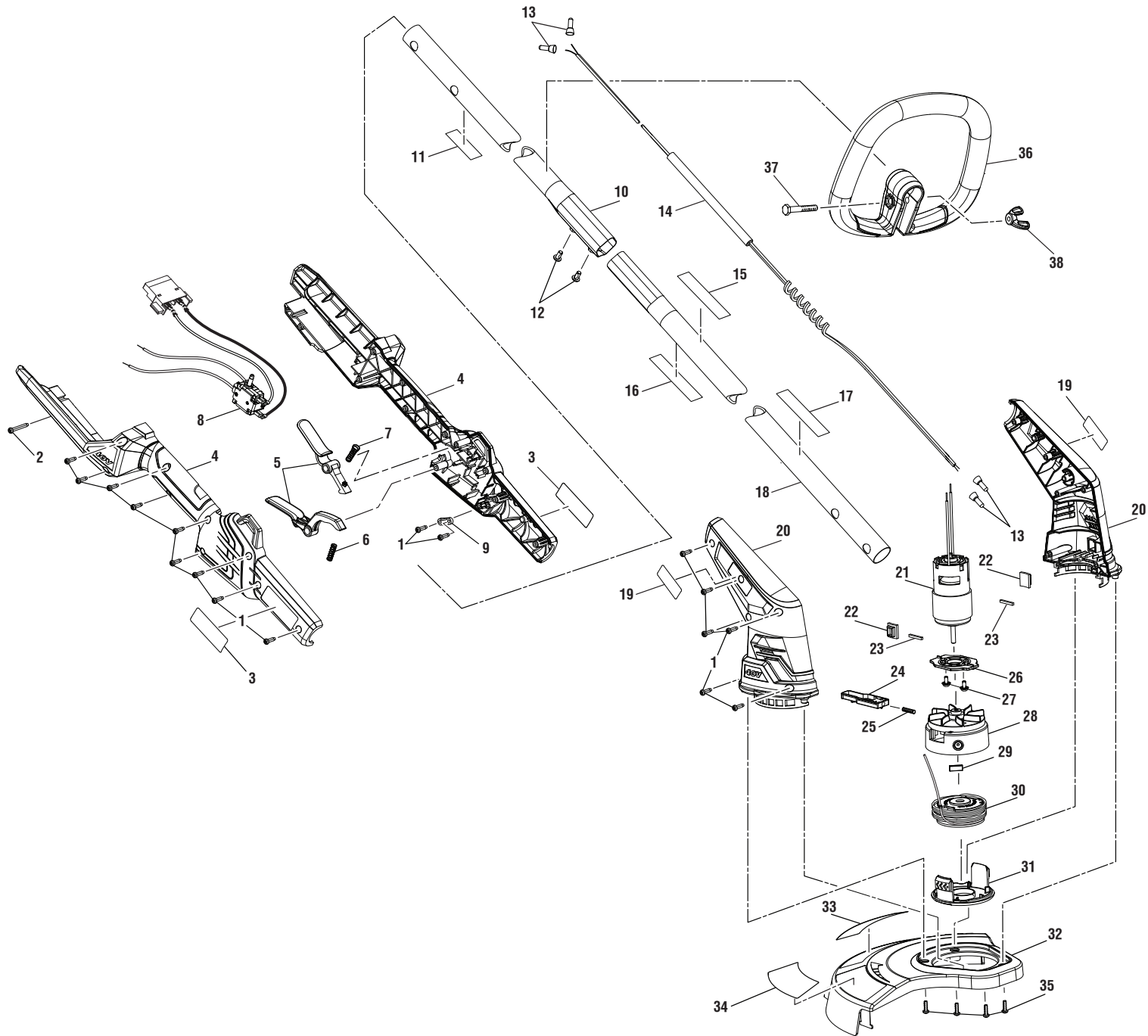
**TECHTRONIC INDUSTRIES POWER EQUIPMENT**

P.O. Box 1288, Anderson, SC 29622

Phone 1-800-860-4050

[www.ryobitools.com](http://www.ryobitools.com)

# RY40204 STRING TRIMMER



## RY40204 STRING TRIMMER

The model number will be found on a label attached to the motor housing. Always mention the model number of your **STRING TRIMMER** when requesting service or ordering repair parts.

KEY NO.	PART NUMBER	DESCRIPTION	QTY	KEY NO.	PART NUMBER	DESCRIPTION	QTY
1	661817001	Screw (M4 x 14 mm, T15 Torx Pan Hd.).....	17	22	564045001	Rubber Plate.....	2
2	660208104	Screw (M4 x 30 mm, T15 Torx Pan Hd.).....	1	23	562079002	Rubber Plate.....	2
3	940304497	Logo Label (Rear Handle).....	2	24	310920001	Slider Assembly.....	1
4	204003001	Rear Handle Assembly (Incl. Key No. 3).....	1	25	679034001	Compression Spring.....	1
5	204007001	Trigger Assembly.....	1	26	531159001	Mounting Plate.....	1
6	679973001	Compression Spring.....	1	27	661861001	Screw w/Washer (M4 x 8 mm, Pan Hd.).....	2
7	679973002	Compression Spring.....	1	28	524851002	Spool Base.....	1
8	204008001	Switch and Contact Plate Assembly.....	1	29	639154001	Balance Plate.....	1
9	523001001	Cord Clamp.....	1	30	310917003	Spool w/Line.....	1
10	204005001	Upper Tube Assembly (Inc. Key No. 11).....	1	31	522994001	Spool Cover.....	1
11	941588125	Data Label.....	1	32	204001001	Guard Assembly (Inc. Key Nos. 33-35).....	1
12	660502002	Screw w/Washer (M5 x 8 mm, Pan Hd.).....	2	33	941606001	Cutting Width Label.....	1
13	790009004	Wire Connector.....	4	34	940851152	Auto-Feed Label.....	1
14	291631001	Spring Wire.....	1	35	660208055	Screw (M4 x 12 mm, Pan Hd.).....	4
15	941657185	Icon Warning Label.....	1	36	526764001	Front Handle.....	1
16	940006271	Warning Label (Fr/Sp).....	1	37	660643008	Bolt (1/4-20 x 40 mm, Hex Hd.).....	1
17	940705329	Logo Label (Drive Shaft).....	1	38	518949001	Wing Nut (1/4-20).....	1
18	204006001	Lower Tube Assembly (Inc. Key Nos. 15-17).....	1	<b>Not Shown:</b>			
19	940705330	Logo Label (Motor Housing).....	2	991000846	Operator's Manual		
20	204002001	Motor Housing Assembly (Inc. Key No. 19).....	1	5-29-19			
21	742225001	Motor.....	1	(Rev:03)			

\*\*\* Standard Hardware Item – May Be Purchased Locally

# RY40204 STRING TRIMMER

