

**RYOBI**  
**20 in. 40 VOLT LAWN MOWER**  
**ITEM NO. RY40109**  
**MFG NO. 107299004**  
**REPAIR SHEET**

**Techtronic Industries Power Equipment**

P.O. Box 1288  
Anderson, SC 29622  
Phone 1-800-860-4050  
[www.ryobitools.com](http://www.ryobitools.com)



## RYOBI LAWN MOWER – ITEM NO. RY40109

The model number will be found on a label attached to the deck. Always mention the model number in all correspondence regarding your **LAWN MOWER** or when ordering replacement parts.

### FIGURE A PARTS LIST

Key Part No. Number	Description	Qty	Key Part No. Number	Description	Qty		
1	637605003	Height Adjustment Bracket (Right) .....	1	33	970698001	Bag .....	1
2	940851198	Extended Handle Label .....	1	34	529293002	Handle Lock Clip .....	2
3	638387002	Washer (1/4 in.) .....	6	35	621895001	Pin (Handle Lock Clip) .....	2
4	664004003	Screw (1/4-15 x 3/4 in., T30 Torx Pan Hd.) .....	6	36	695065001	Lower Handle Tube (Left) .....	1
5	529260001	Hinge Cover .....	2	37	635385006	Bag Frame .....	1
6	662324001	Shoulder Screw (M8 x 60 mm, T40 Torx Hd.) .....	2	38	660208104	Screw (M4 x 30 mm, T15 Torx Hd.) .....	6
7	760961002	Switch .....	1	39	532198001	Upper Handle Support (Rear) .....	1
8	528361003	Adjustment Knob (Spring Pin) .....	2	40	760689007	Switch .....	2
9	673441001	Spring Pin .....	2	41	528465004	Spring Holder .....	1
10	694490001	Compression Spring .....	2	42	529011002	Actuator Switch .....	1
11	673438001	Detent Pin .....	2	43	694218001	Spring .....	1
12	642586001	Spring Pin Housing .....	2	44	270109001	Variable Switch .....	1
13	661189003	Screw (M4 x 18 mm, T20 Torx Pan Hd.) .....	28	45	532199001	Trigger (Left) .....	1
14	636779003	Height Adjustment Bracket (Left) .....	1	46	694475001	Safety Button Spring .....	1
15	760551002	Switch .....	1	47	528278004	Safety Button .....	1
16	678880001	E-Ring .....	2	48	660203001	Screw (M3 x 8 mm) .....	2
17	679076001	Torsion Spring (Rear Door) .....	1	49	532667001	Thumb Pad .....	1
18	635469001	Rear Door Axle .....	1	50	532680001	Dust Shield .....	1
19	527478001	Rear Discharge Door .....	1	51	205048001	Upper Handle Support Assembly (Inc. of Key Nos. 51 & 53-54) .....	1
20	291719002	Wiring Harness .....	1	52	636233001	Washer .....	2
21	695001001	Lower Handle Tube (Right) .....	1	53	941705001	Starting Label .....	1
22	529328002	Handle Tube Bushing (Large) .....	2	54	941705002	Logo Label .....	1
23	529327001	Handle Tube Bushing (Small) .....	2	55	941705005	40V Logo Label .....	1
24	695002005	Upper Handle Tube .....	2	56	533467001	Switch Plug Housing .....	1
25	532200001	Trigger (Right) .....	1	57	529269001	Rear Upper Handle Support .....	1
26	695004002	Bail Handle (Power Lever) .....	1	58	760584003	Toggle Switch .....	1
27	695036001	Torsion Spring .....	1	<b>Not Shown:</b>			
28	312423001	Upper Handle Assembly .....	1	995000197	Operator's Manual		
29	529267001	Front Upper Handle Cover .....	1	5-23-18			
30	563862001	Rubber Plate (Handle Lock Clip) .....	2	(Rev:03)			
31	205049001	Rear Panel Assembly (Inc. of Key Nos. 2 & 55) .....	1				
32	529298001	Block (Handle Lock Clip) .....	2				

RYOBI LAWN MOWER – ITEM NO. RY40109

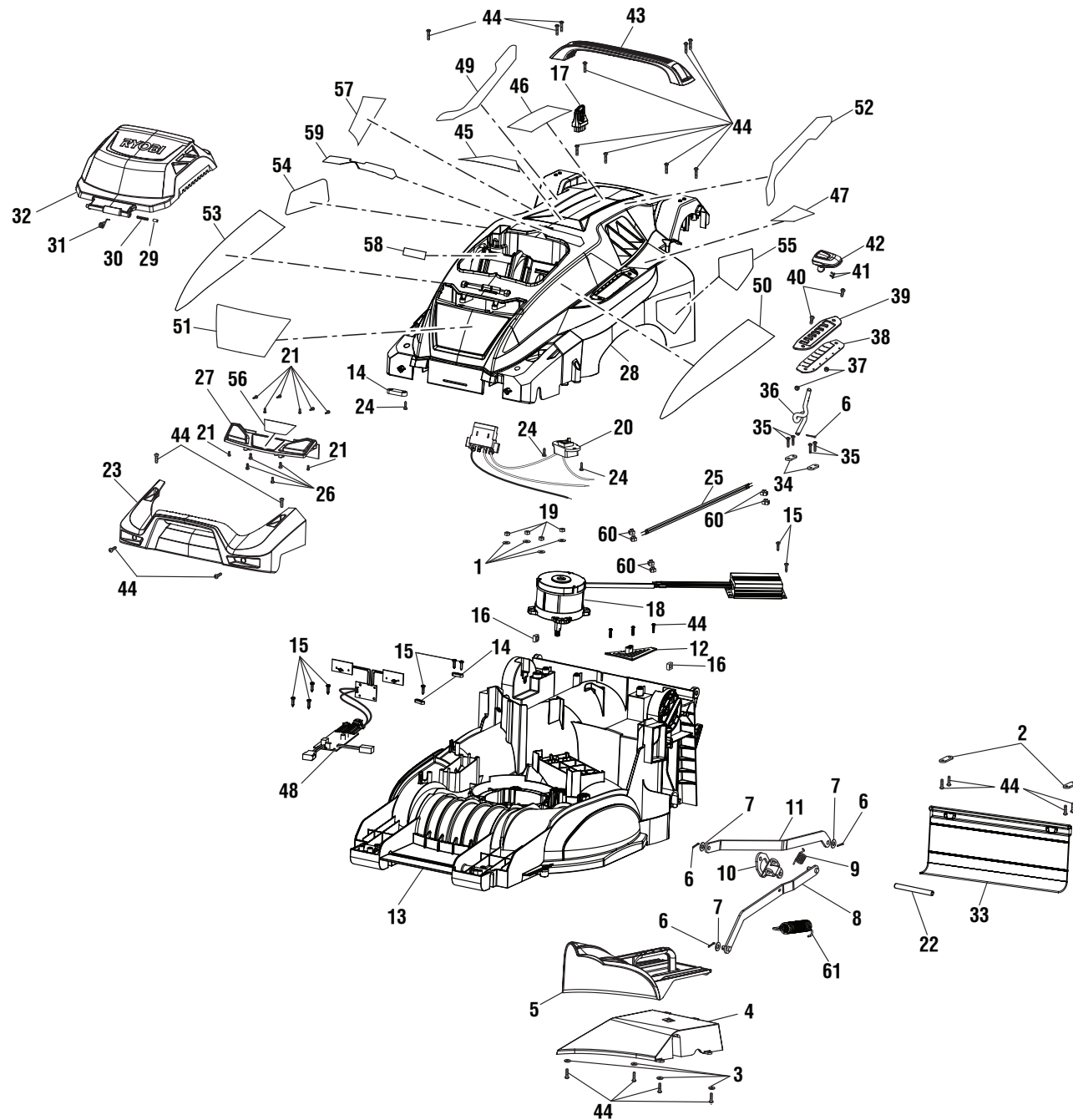


FIGURE B

## RYOBI LAWN MOWER – ITEM NO. RY40109

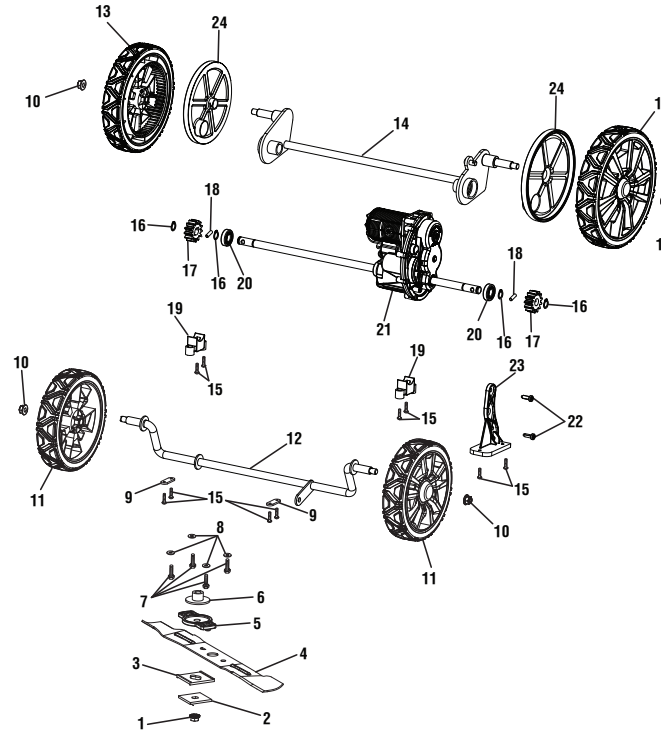
The model number will be found on a label attached to the deck. Always mention the model number in all correspondence regarding your **LAWN MOWER** or when ordering replacement parts.

### FIGURE B PARTS LIST

Key Part No. Number	Description	Qty	Key Part No. Number	Description	Qty		
1	638557001	Washer (ID6.2 x OD15 x 0.08t) .....	4	32	529259001	Battery Cover.....	1
2	639116003	Axle Pressure Plate.....	2	33	534779001	Rear Protective Guard .....	1
3	636062001	Washer (ID4.5 x OD10 x 1t) .....	4	34	639125002	Pressure Plate (Height Adjustment) .....	2
4	527548002	Rear Cover .....	1	35	661189003	Screw (M4 x 18 mm, T20 Torx Pan Hd.).....	4
5	527556002	Mulching Plug.....	1	36	637031003	Lever Arm .....	1
6	678279004	Cotter Pin.....	4	37	678509001	Hex Lock Nut (M5).....	2
7	639013001	Washer (ID8.4 x OD18 x 1t) .....	3	38	563454001	Dust Gasket .....	1
8	635378005	Front Lift Rod.....	1	39	635382001	Height Adjustment Plate .....	1
9	679992001	Torsion Spring (Height Adjustment) .....	1	40	660713001	Screw (M5 x 16 mm, Soc. Hd.).....	2
10	639203003	Height Adjustment Bracket.....	1	41	664021001	Screw (M3 x 7 mm, Flat Hd.) .....	2
11	635379005	Rear Lift Rod.....	1	42	529656003	Height Adjustment Handle.....	1
12	532556001	Transmission Cover .....	1	43	529258001	Carrying Handle.....	1
13	532184001	Deck.....	1	44	660563002	Screw (M4 x 20 mm, T20 Torx Pan Hd.).....	27
14	513211001	Cord Clip.....	3	45	941107020	Danger/Warning Icon Label (Eng).....	1
15	660608002	Screw (M4 x 16 mm, T20 Torx Pan Hd.).....	9	46	941107021	Bilingual Danger (Fr/Sp) & Trilingual Warning (Eng/Fr/Sp) Label .....	1
16	T662406001	Square Nut (M8).....	2	47	941843004	Height Adjustment Label .....	1
17	311280001	Start Key .....	1	48	280582001	Circuit Board w/LED Assembly .....	1
18	312922004	Motor and Controller Assembly .....	1	49	941705009	Stripe Label (Right) .....	1
19	680196006	Hex Nut (M6).....	4	50	941705007	Brushless Label (Left) .....	1
20	120722005	Contact Plate Holder Assembly.....	1	51	941705004	40V Self Propelled Logo Label .....	1
21	660203001	Screw (M3 x 8 mm).....	8	52	941705008	Stripe Label (Left).....	1
22	639122001	Height Adjust Axle .....	1	53	941705006	Brushless Label (Right) .....	1
23	529372001	Front Bumper.....	1	54	941588233	Data Label.....	1
24	660608001	Screw .....	3	55	941641001	No Hands Label .....	1
25	291754001	Inner Wire Connector (Inc. 2 of Key No. 60).....	1	56	940851129	LED Headlight Label .....	1
26	661189002	Screw (M4 x 10 mm, T20 Torx Pan Hd.).....	4	57	941842015	40V Lithium Label .....	1
27	205057001	Light Assembly w/Label (Inc. of Key No. 56).....	1	58	941843005	On Board Battery Storage Label .....	1
28	205053001	Deck Cover Assembly (Inc. of Key Nos. 28, 45-47, 49-55 & 57-59).....	1	59	941107015	Start Key Label .....	1
29	621628001	Axle .....	1	60	900876003	Terminal Block w/Screw .....	6
30	679073001	Compression Spring .....	1	61	694052001	Retention Spring .....	1
31	679074002	Torsion Spring.....	1				

## RYOBI LAWN MOWER – ITEM NO. RY40109

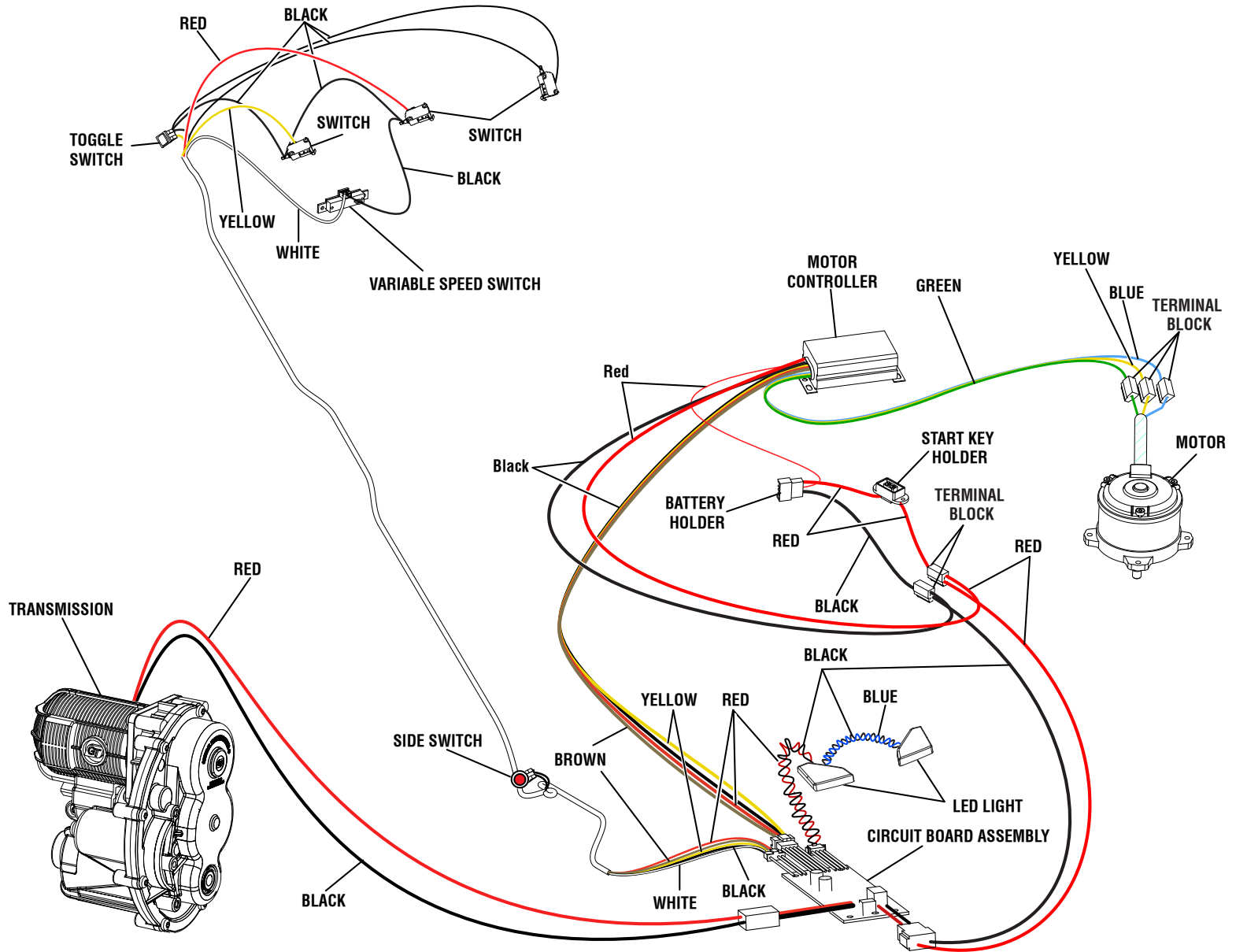
The model number will be found on a label attached to the deck. Always mention the model number in all correspondence regarding your **LAWN MOWER** or when ordering replacement parts.



**FIGURE C**

Key Part No.	Part Number	Description	Qty	Key Part No.	Part Number	Description	Qty
1	679075001	Hex Nut (M10, Flange)	1	13	312387003	Rear Wheel Assembly	2
2	639118001	Blade Retainer	1	14	637788002	Rear Wheel Axle w/Rotation Plate	1
3	526920001	Spacer	1	15	660563002	Screw (M4 x 20 mm, T20 Torx Pan Hd.)	10
4	682162001	Bagging Blade	1	16	690698001	Retaining Ring	4
5	526921001	Blade Holder	1	17	613239001	Drive Gear	2
6	613427001	Motor Shaft Bushing	1	18	622068001	Gear Shaft	2
7	660722002	Bolt (M6 x 26 mm, Hex Hd.)	4	19	639116004	Mounting Plate	2
8	638557001	Washer (ID6.2 x OD15 x 0.08t)	4	20	682164001	Ball Bearing (OD28.6 x ID12.7 x 8)	2
9	639116003	Axle Pressure Plate	2	21	210376001	Transmission Assembly	1
10	662082001	Lock Nut (3/8-16, Flange)	4	22	662065001	Screw	2
11	330073008	Front Wheel Assembly	2	23	532557001	Transmission Holder	1
12	635376006	Front Wheel Axle	1	24	532115001	Wheel Cover	2

RYOBI LAWN MOWER – ITEM NO. RY40109



WIRING DIAGRAM