

RYOBI
20 in. 40 VOLT LAWN MOWER
ITEM NO. RY40109
MFG NO. 107299001
REPAIR SHEET

Techtronic Industries Power Equipment

P.O. Box 1288
Anderson, SC 29622
Phone 1-800-860-4050
www.ryobitools.com

RYOBI LAWN MOWER – ITEM NO. RY40109

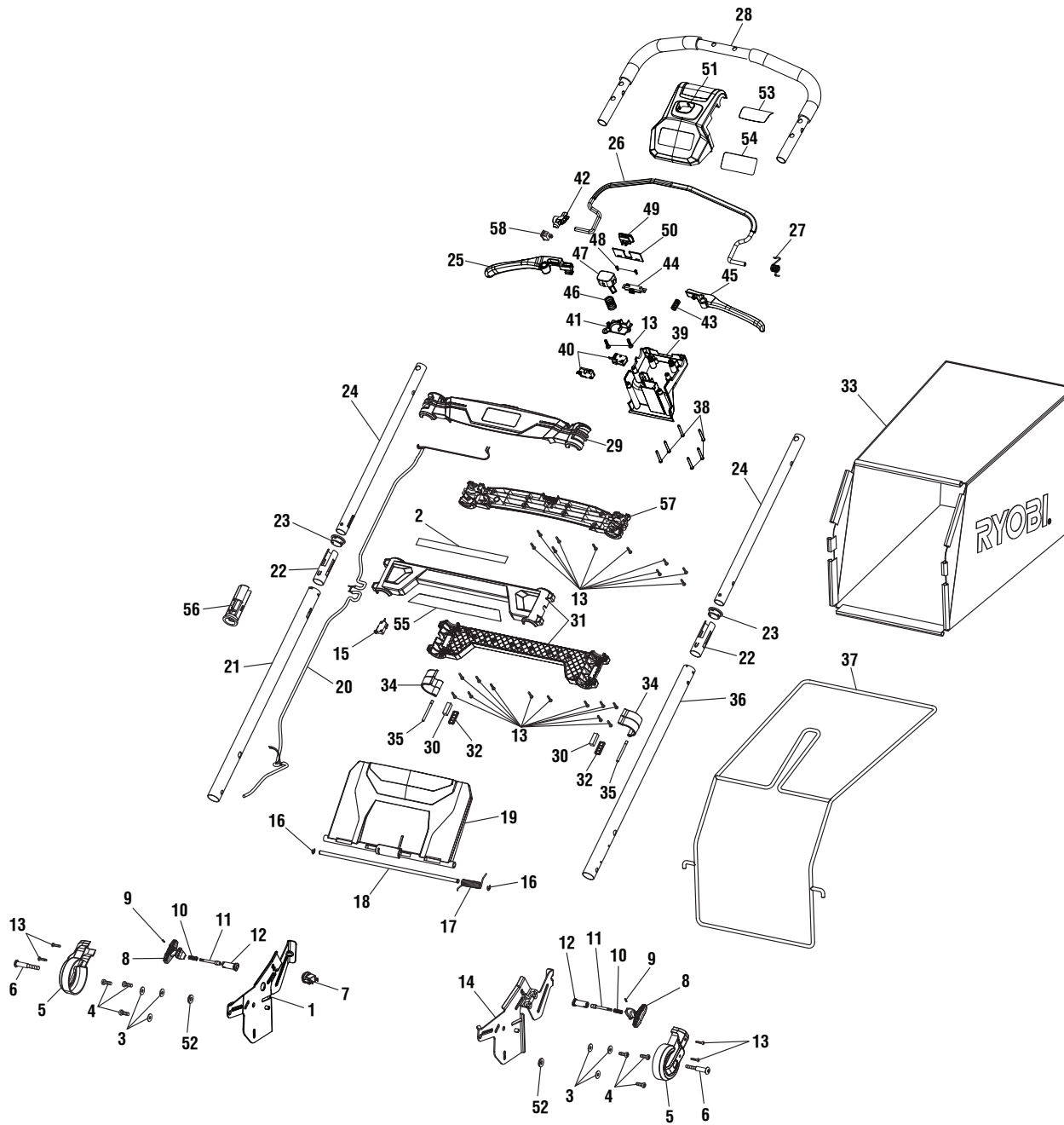


FIGURE A

RYOBI LAWN MOWER – ITEM NO. RY40109

The model number will be found on a label attached to the deck. Always mention the model number in all correspondence regarding your **LAWN MOWER** or when ordering replacement parts.

FIGURE A PARTS LIST

Key Part No. Number	Description	Qty	Key Part No. Number	Description	Qty		
1	120723002	Switch Repair Kit (Inc. Key Nos. 6-7 & 52)	1	33	970698001	Bag	1
2	940851198	Extended Handle Label	1	34	529293002	Handle Lock Clip	2
3	638387002	Washer (1/4 in.)	6	35	621895001	Pin (Handle Lock Clip)	2
4	664004003	Screw (1/4-15 x 3/4 in., T30 Torx Pan Hd.)	6	36	695065001	Lower Handle Tube (Left)	1
5	529260001	Hinge Cover	2	37	635385006	Bag Frame	1
6	662324001	Shoulder Screw (M8 x 60 mm, T40 Torx Hd.)	2	38	660208104	Screw (M4 x 30 mm, T15 Torx Hd.)	6
7	120723001	Switch Assembly (Inc. Key No. 58)	1	39	532198001	Upper Handle Support (Rear)	1
8	528361003	Adjustment Knob (Spring Pin)	2	40	760689007	Switch	2
9	673441001	Spring Pin	2	41	528465004	Spring Holder	1
10	694490001	Compression Spring	2	42	529011002	Actuator Switch	1
11	673438001	Detent Pin	2	43	694218001	Spring	1
12	642586001	Spring Pin Housing	2	44	270109001	Variable Switch	1
13	661189003	Screw (M4 x 18 mm, T20 Torx Pan Hd.)	28	45	532199001	Trigger (Left)	1
14	636779003	Height Adjustment Bracket (Left)	1	46	694475001	Safety Button Spring	1
15	760551002	Switch	1	47	528278004	Safety Button	1
16	678880001	E-Ring	2	48	660203001	Screw (M3 x 8 mm)	2
17	679076001	Torsion Spring (Rear Door)	1	49	532667001	Thumb Pad	1
18	635469001	Rear Door Axle	1	50	532680001	Dust Shield	1
19	527478001	Rear Discharge Door	1	51	205048001	Upper Handle Support Assembly (Inc. Key Nos. 51 & 53-54)	1
20	291719002	Wiring Harness	1	52	636233001	Washer	2
21	695001001	Lower Handle Tube (Right)	1	53	941705001	Starting Label	1
22	529328002	Handle Tube Bushing (Large)	2	54	941705002	Logo Label	1
23	529327001	Handle Tube Bushing (Small)	2	55	941705005	40V Logo Label	1
24	695002005	Upper Handle Tube	2	56	533467001	Switch Plug Housing	1
25	532200001	Trigger (Right)	1	57	529269001	Rear Upper Handle Support	1
26	695004002	Bail Handle (Power Lever)	1	58	760961002	Toggle Switch	1
27	695036001	Torsion Spring	1	Not Shown:			
28	312423001	Upper Handle Assembly	1	995000197	Operator's Manual		
29	529267001	Front Upper Handle Support	1	5-23-18			
30	563862001	Rubber Plate (Handle Lock Clip)	2	(Rev:06)			
31	205049001	Lower Panel Assembly (Inc. of Key Nos. 2 & 55)	1				
32	529298001	Block (Handle Lock Clip)	2				

RYOBI LAWN MOWER – ITEM NO. RY40109

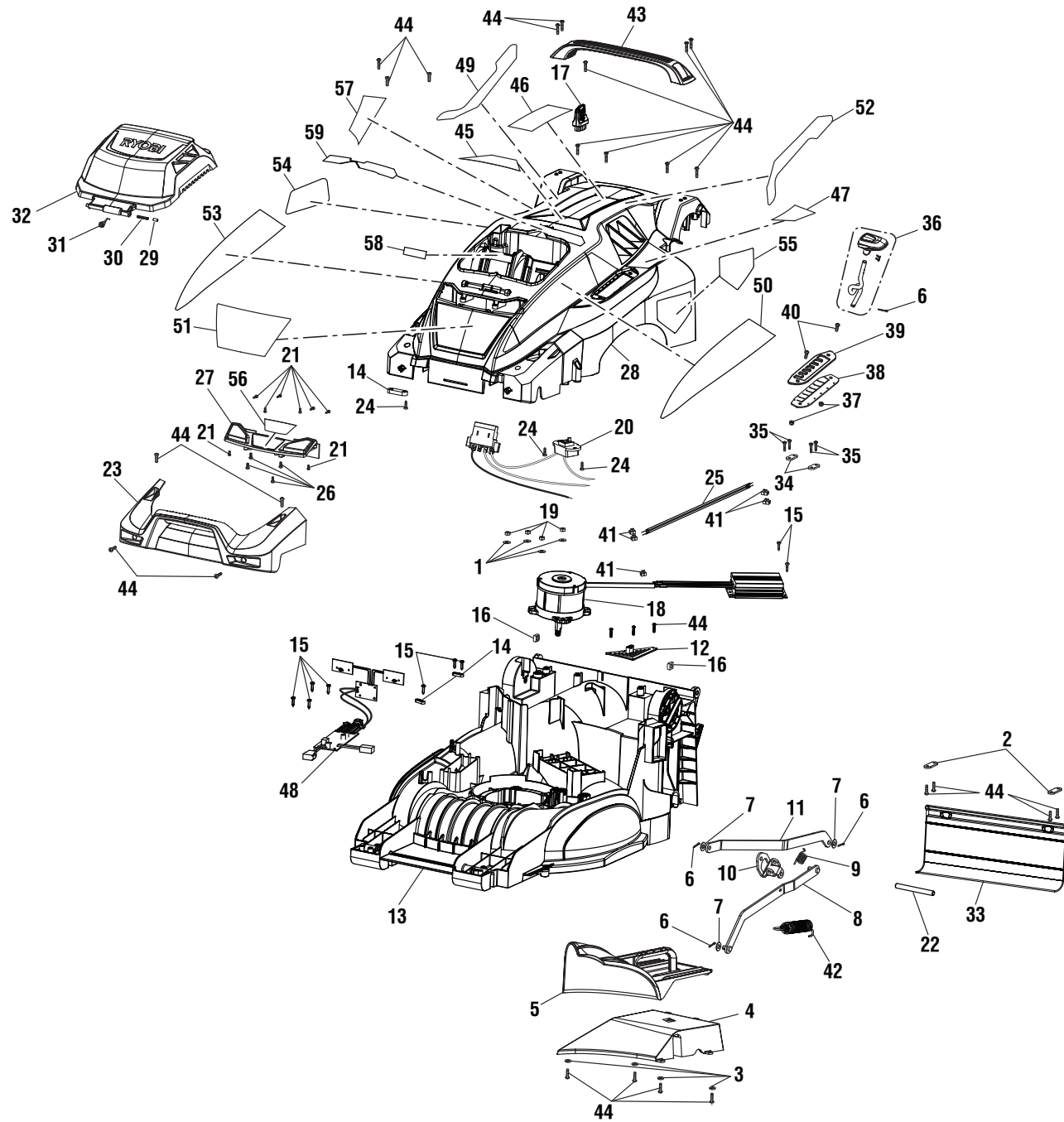


FIGURE B

RYOBI LAWN MOWER – ITEM NO. RY40109

The model number will be found on a label attached to the deck. Always mention the model number in all correspondence regarding your **LAWN MOWER** or when ordering replacement parts.

FIGURE B PARTS LIST

Key Part No. Number	Description	Qty	Key Part No. Number	Description	Qty
1	638557001 Washer (ID6.2 x OD15 x 0.08t)	4	31	679074002 Torsion Spring	1
2	639116003 Axle Pressure Plate	2	32	529259001 Battery Cover	1
3	636062001 Washer (ID4.5 x OD10 x 1t)	4	33	534779001 Rear Protective Guard	1
4	527548002 Rear Cover	1	34	639125002 Pressure Plate (Height Adjustment)	2
5	527556001 Mulching Plug	1	35	661189003 Screw (M4 x 18 mm, T20 Torx Pan Hd.)	4
6	678279004 Cotter Pin	4	36	205011003 Height Adjust Handle Kit	1
7	639013001 Washer (ID8.4 x OD18 x 1t)	3	37	678509001 Hex Lock Nut (M5)	2
8	635378005 Front Lift Rod	1	38	563454001 Dust Gasket	1
9	679992001 Torsion Spring (Height Adjustment)	1	39	635382001 Height Adjustment Plate	1
10	639203001 Height Adjustment Bracket	1	40	660713001 Screw (M5 x 16 mm, Soc. Hd.)	2
11	635379005 Rear Lift Rod	1	41	900876003 Terminal Block w/Screw	5
12	532556001 Transmission Cover	1	42	694052001 Retention Spring	1
13	532184001 Deck	1	43	529258001 Carrying Handle	1
14	513211001 Cord Clip	3	44	660563002 Screw (M4 x 20 mm, T20 Torx Pan Hd.)	27
15	660608002 Screw (M4 x 16 mm, T20 Torx Pan Hd.)	9	45	941107020 Danger/Warning Icon Label (Eng)	1
16	T662406001 Square Nut (M8)	2	46	941107021 Bilingual Danger (Fr/Sp) & Trilingual Warning (Eng/Fr/Sp) Label	1
17	311280001 Start Key	1	47	941843004 Height Adjustment Label	1
18	312922004 Motor and Controller Assembly (Inc. 3 of Key No. 41)	1	48	280582001 Circuit Board w/LED Assembly	1
19	680196006 Hex Nut (M6)	4	49	941705009 Stripe Label (Right)	1
20	120722005 Contact Plate Holder Assembly	1	50	941705007 Brushless Label (Left)	1
21	660203001 Screw (M3 x 8 mm)	8	51	941705004 40V Self Propelled Logo Label	1
22	639122001 Height Adjust Axle	1	52	941705008 Stripe Label (Left)	1
23	529372001 Front Bumper	1	53	941705006 Brushless Label (Right)	1
24	660608001 Screw	3	54	941588165 Data Label	1
25	291754001 Inner Wire Connector (Inc. 2 of Key No. 41)	1	55	941641001 No Hands Label	1
26	661189002 Screw (M4 x 10 mm, T20 Torx Pan Hd.)	4	56	940851129 LED Headlight Label	1
27	205057001 Light Assembly w/Label (Inc. Key No. 56)	1	57	941842015 40V Lithium Label	1
28	205051001 Deck Cover Assembly (Inc. Key Nos. 28, 45-47, 49-55 & 57-59)	1	58	941843005 On Board Battery Storage Label	1
29	621628001 Axle	1	59	941107015 Start Key Label	1
30	679073001 Compression Spring	1			

RYOBI LAWN MOWER – ITEM NO. RY40109

The model number will be found on a label attached to the deck. Always mention the model number in all correspondence regarding your **LAWN MOWER** or when ordering replacement parts.

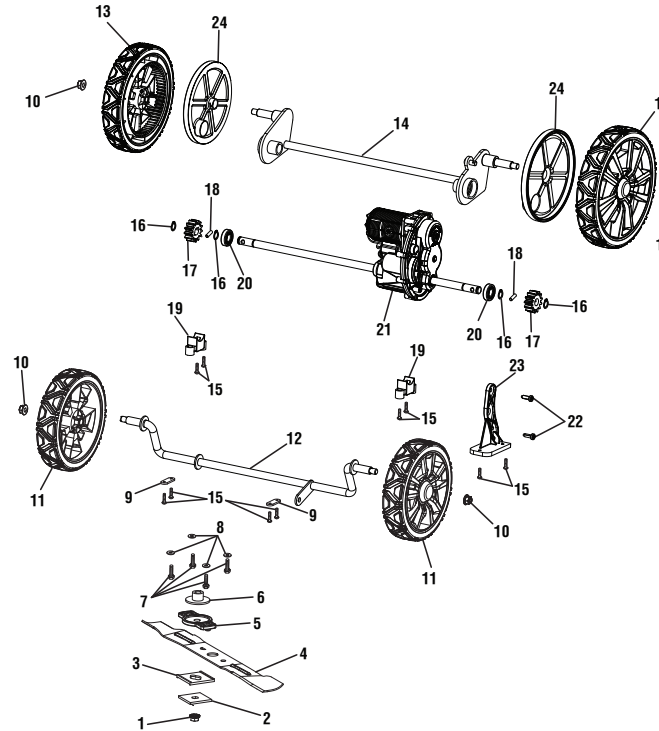
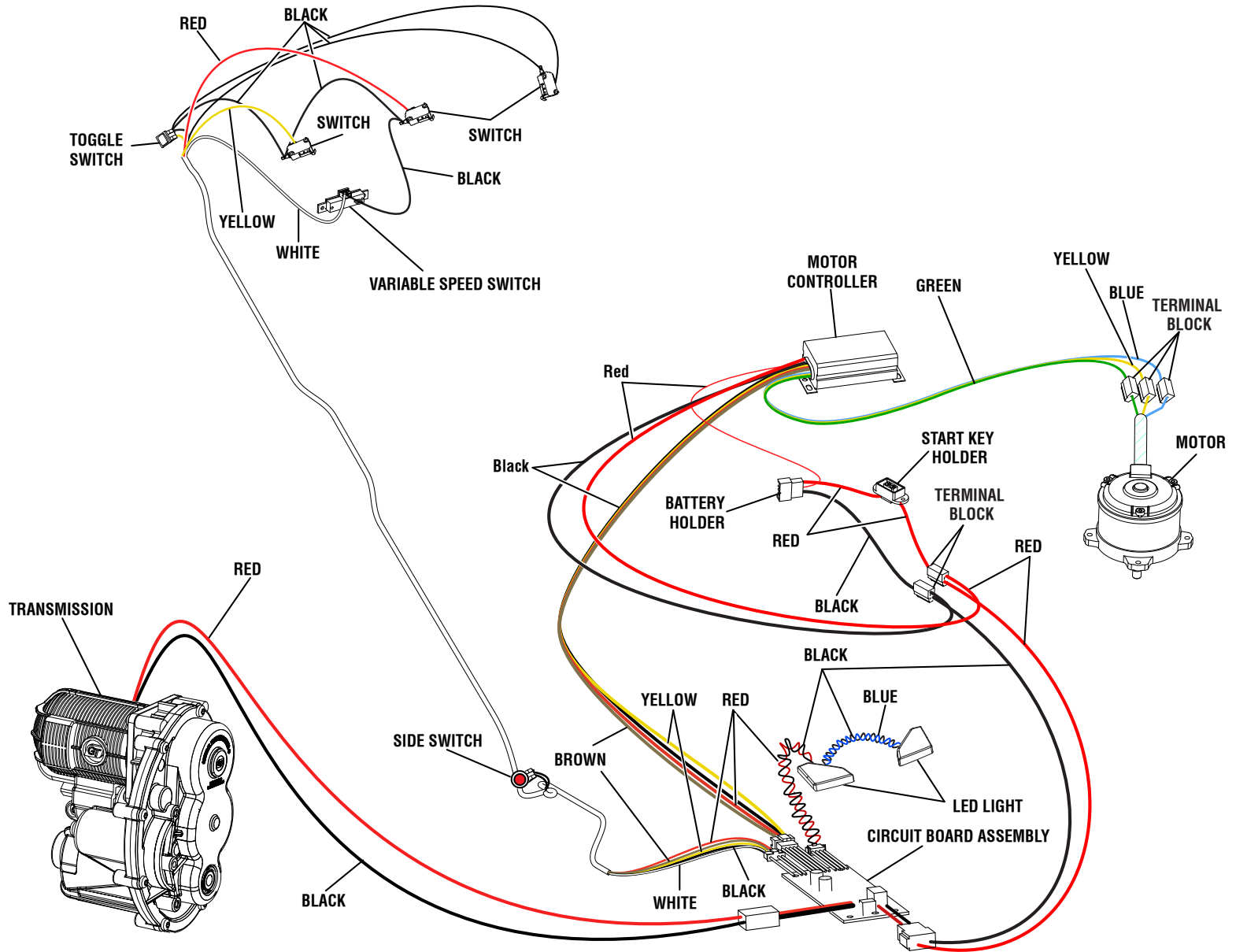


FIGURE C

Key Part No.	Part Number	Description	Qty	Key Part No.	Part Number	Description	Qty
1	679075001	Hex Nut (M10, Flange)	1	13	312387003	Rear Wheel Assembly	2
2	639118001	Blade Retainer	1	14	637788001	Rear Wheel Axle w/Rotation Plate	1
3	526920001	Spacer	1	15	660563002	Screw (M4 x 20 mm, T20 Torx Pan Hd.)	10
4	682162001	Bagging Blade	1	16	690698001	Retaining Ring	4
5	526921001	Blade Holder	1	17	613239001	Drive Gear	2
6	613427001	Motor Shaft Bushing	1	18	622068001	Gear Shaft	2
7	660722002	Bolt (M6 x 26 mm, Hex Hd.)	4	19	639116004	Mounting Plate	2
8	638557001	Washer (ID6.2 x OD15 x 0.08t)	4	20	682164001	Ball Bearing (OD28.6 x ID12.7 x 8)	2
9	639116003	Axle Pressure Plate	2	21	210376001	Transmission Assembly	1
10	662082001	Lock Nut (3/8-16, Flange)	4	22	662065001	Screw	2
11	330073008	Front Wheel Assembly	2	23	532557001	Transmission Holder	1
12	635376003	Front Wheel Axle	1	24	532115001	Wheel Cover	2

RYOBI LAWN MOWER – ITEM NO. RY40109



WIRING DIAGRAM