

RYOBI
40 Volt Lawn Mower
Item No. RY40108
Mfg No. 107813009
Repair Sheet

Techtronic Industries Power Equipment

P.O. Box 1288
Anderson, SC 29622
Phone 1-800-860-4050
www.ryobitools.com

RYOBI LAWN MOWER - ITEM NO. RY40108

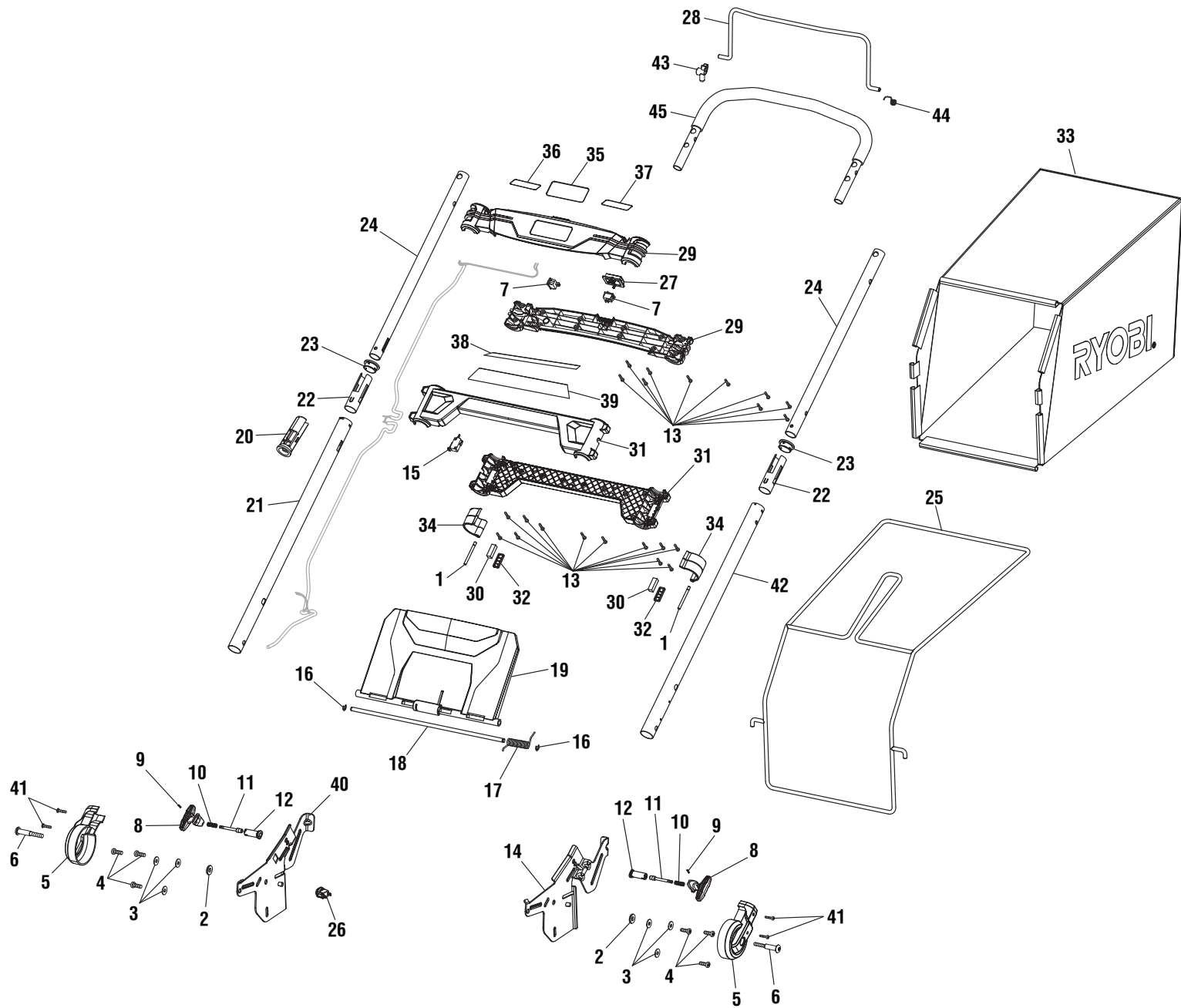


FIGURE A

RYOBI LAWN MOWER - ITEM NO. RY40108

The model number will be found on a label attached to the deck. Always mention the model number in all correspondence regarding your **LAWN MOWER** or when ordering replacement parts.

FIGURE A PARTS LIST

Key Part No. Number	Description	Qty	Key Part No. Number	Description	Qty
1	621895001	Pin (Handle Lock Clip)	26	760584001	Switch
2	636233001	Washer (ID8.5 x OD20.5 x 2t)	27	529261002	Safety Switch Cover
3	638387002	Washer (1/4 in.)	28	695004003	Bail Handle.....
4	664004003	Screw (1/4-15 x 22mm, T30 Torx Pan Hd.).....	29	205045001	Upper Panel Assembly (Inc. Key Nos. 35-37).....
5	529260001	Hinge Cover.....	30	563862001	Rubber Plate (Handle Lock Clip)
6	662324001	Shoulder Screw (M8 x 60 mm, T40 Torx Hd.).....	31	205047001	Lower Panel Assembly (Inc. Key Nos. 38-39).....
7	760961002	Switch	32	529298001	Block (Handle Lock Clip)
8	528361002	Adjustment Knob	33	970698001	Bag
9	673441001	Spring Pin	34	529293001	Handle Lock Clip
10	694490001	Compression Spring.....	35	940705322	Logo Label.....
11	673438001	Detent Pin	36	940851127	Start Label (Right)
12	642586001	Spring Pin Housing.....	37	940851133	Start Label (Left)
13	661189003	Screw (M4 x 18 mm, T20 Torx Pan Hd.).....	38	940851128	Lithium Label
14	636779003	Height Adjustment Bracket (Left).....	39	940851198	Handle Extended Label
15	760551002	Switch	40	637605003	Height Adjustment Bracket (Right)
16	670704001	E-Ring	41	660563002	Screw (M4 x 20 mm, T20 Torx Pan Hd.).....
17	679076002	Torsion Spring (Rear Door).....	42	695065001	Lower Handle Tube (Left).....
18	635469002	Rear Door Axle.....	43	529011003	Actuator Switch
19	527478002	Rear Discharge Door	44	695036001	Torsion Spring.....
20	533467001	Switch Plug Housing	45	311313002	Upper Handle & Foam Grip Assembly.....
21	695001001	Lower Handle Tube (Right)			
22	529328002	Handle Tube Bushing (Large).....			
23	529327001	Handle Tube Bushing (Small).....			
24	695002005	Upper Handle Tube.....			
25	635385006	Bag Frame			
				Not Shown:	
				991000664	Operator's Manual
				9-4-19	
				(Rev:01)	

RYOBI LAWN MOWER - ITEM NO. RY40108

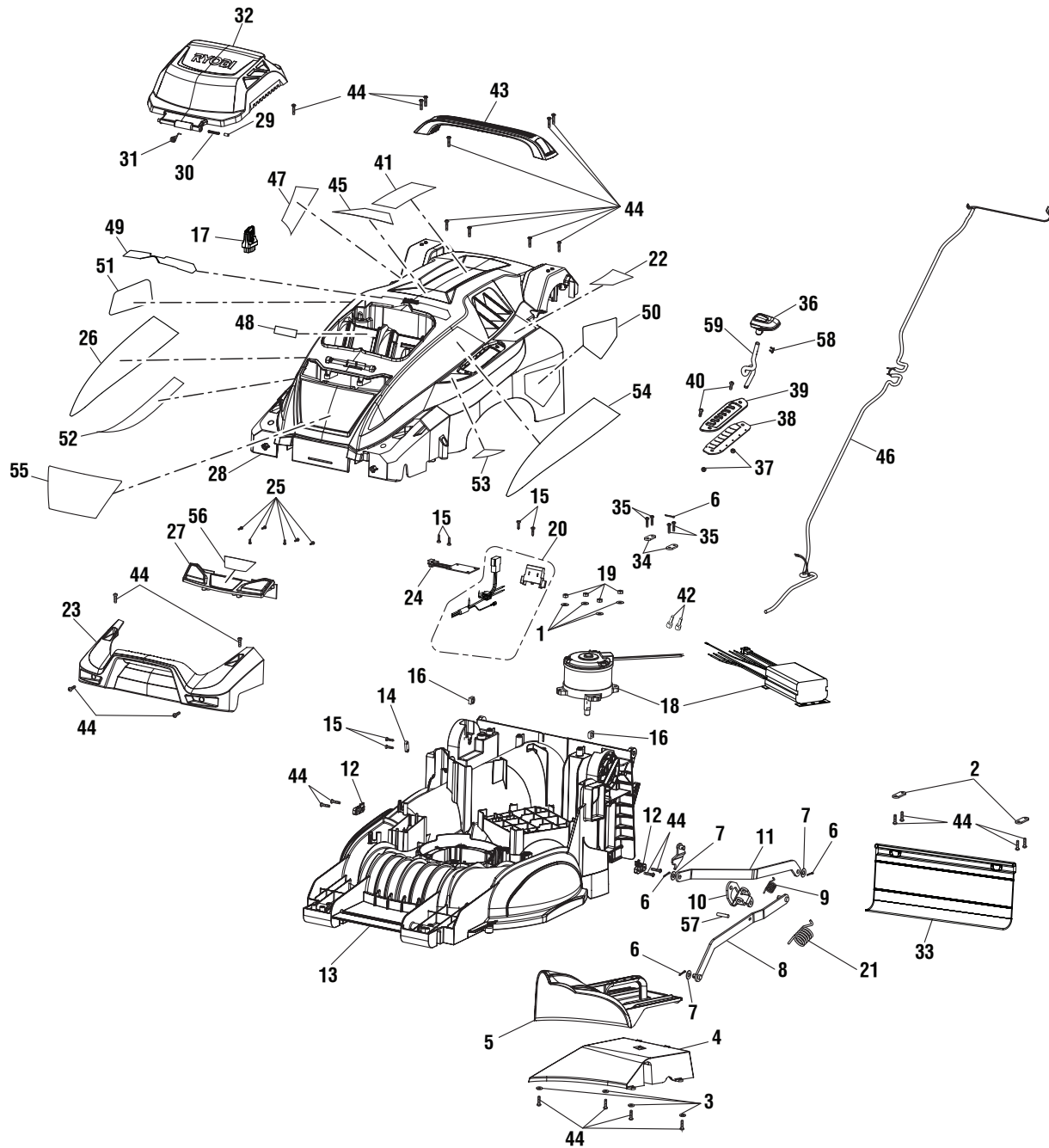


FIGURE B

RYOBI LAWN MOWER - ITEM NO. RY40108

The model number will be found on a label attached to the deck. Always mention the model number in all correspondence regarding your **LAWN MOWER** or when ordering replacement parts.

FIGURE B PARTS LIST

Key No.	Part Number	Description	Qty	Key No.	Part Number	Description	Qty
1	638557001	Washer (ID6.2 x OD15 x 0.08t)	4	31	679074002	Torsion Spring	1
2	639116003	Axle Pressure Plate	2	32	529259001	Battery Cover	1
3	636062001	Washer (ID4.5 x OD10 x 1t)	4	33	527549004	Rear Protective Guard	1
4	527548003	Baffle	1	34	639125002	Pressure Plate (Height Adjustment)	2
5	527556002	Mulching Plug	1	35	661189003	Screw (M4 x 18 mm, T20 Torx Pan Hd.)	4
6	678279004	Cotter Pin	4	36	529656003	Height Adjust Handle	1
7	639013001	Washer (ID8.4 x OD18 x 1t)	3	37	678509001	Hex Lock Nut (M5)	2
8	635378005	Front Lift Rod	1	38	563454001	Dust Gasket	1
9	679992001	Torsion Spring (Height Adjustment)	1	39	635382001	Height Adjustment Plate	1
10	639203003	Height Adjustment Bracket	1	40	660713001	Screw (M5 x 16 mm, Soc. Hd.)	2
11	635379005	Rear Lift Rod	1	41	941107021	Bilingual Danger (French/Spanish) & Trilingual Warning (English/French/Spanish) Label	1
12	639116002	Axle Mount	2	42	900876003	Screw Terminal	2
13	529757002	Deck	1	43	529258001	Carrying Handle	1
14	513211001	Cord Clip	2	44	660563002	Screw (M4 x 20 mm, T20 Torx Pan Hd.)	26
15	660608002	Screw (M4 x 16 mm, T20 Torx Pan Hd.)	6	45	941107020	Danger/Warning Icon Label (English)	1
16	T662406001	Square Nut (M8)	2	46	291556002	Wiring Harness	1
17	311280001	Start Key	1	47	941842015	40V Lithium Label	1
18	312922003	Motor and Controller Assembly	1	48	941843005	On Board Battery Storage Label	1
19	680196006	Hex Nut (M6)	4	49	941107015	Warning Label	1
20	205080001	Key Holder Assembly (Inc. Key No. 21)	1	50	941641001	No Hands Label	1
21	694052001	Rentention Spring	1	51	941588262	Data Label	1
22	941843004	Height Adjustment Label	1	52	941842004	RYOBI Label (Right)	1
23	529372001	Front Bumper	1	53	941842007	Logo Label	1
24	280424002	Circuit Board	1	54	940705323	Brushless Label (Left)	1
25	660203001	Screw (M3 x 8 mm, Pan Hd.)	9	55	940705324	40V Brushless Logo Label	1
26	940851132	Brushless Label (Right)	1	56	940851129	LED Headlight Label	1
27	205057001	Light Assembly (Inc. Key No. 56)	1	57	639122001	Adjust Height Axle	1
28	205156001	Deck Cover (Inc. Key Nos. 22, 26, 41, 45 & 47-55)	1	58	664021001	Screw (M3 x 10 mm)	2
29	621628001	Axle	1	59	637031003	Lift Arm	1
30	679073001	Compression Spring	1				

RYOBI LAWN MOWER - ITEM NO. RY40108

The model number will be found on a label attached to the deck. Always mention the model number in all correspondence regarding your **LAWN MOWER** or when ordering replacement parts.

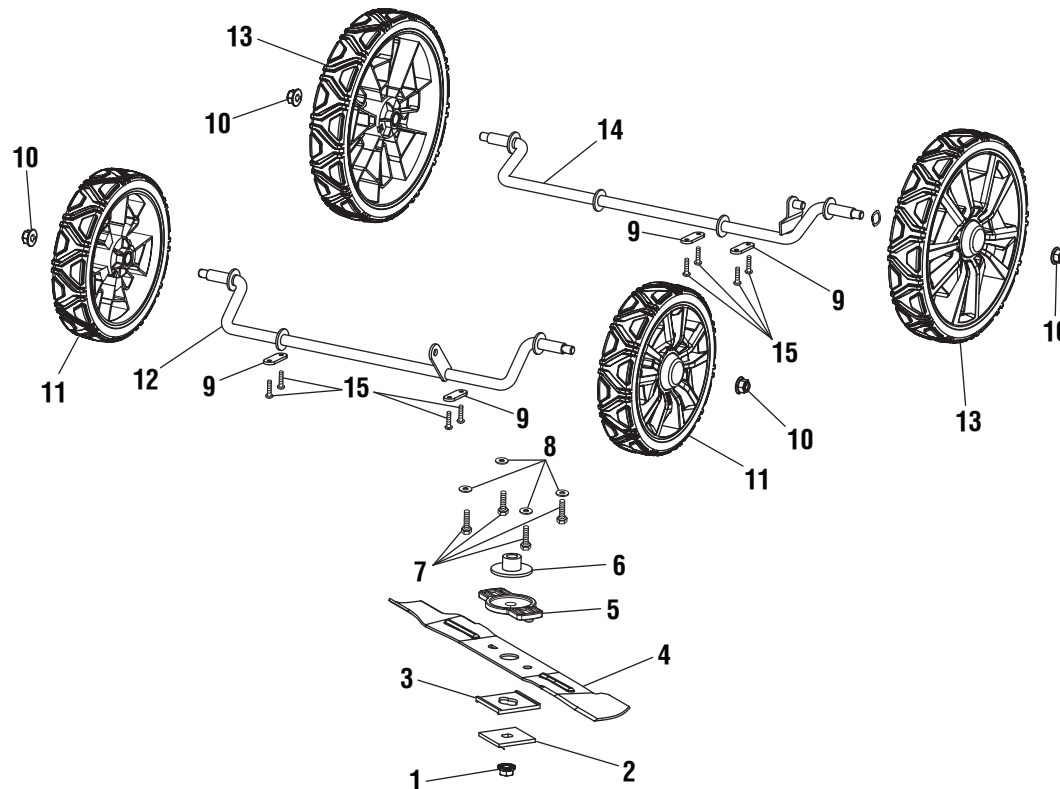
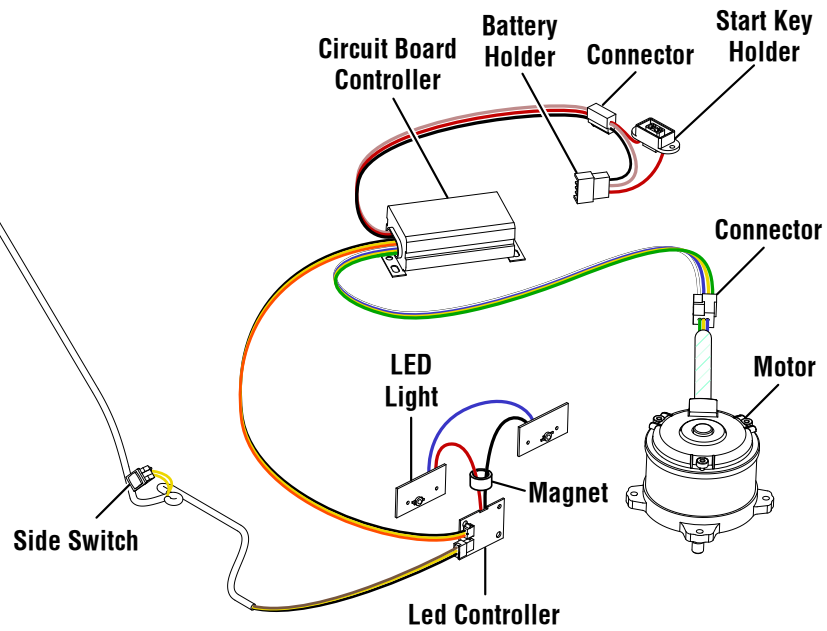
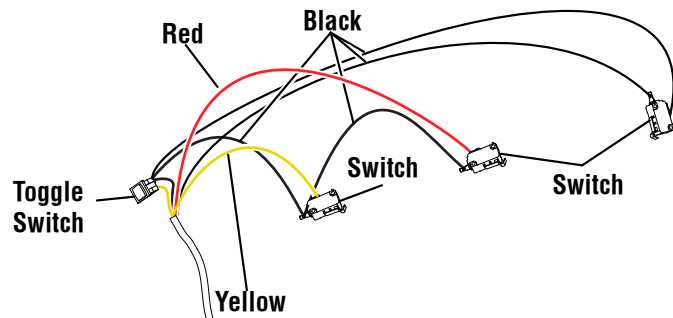


FIGURE C

Key No.	Part Number	Description	Qty	Key No.	Part Number	Description	Qty
1	679075001	Hex Nut (M10, Flange)	1	9	639116003	Axle Pressure Plate	4
2	639118001	Blade Retainer	1	10	678774012	Lock Nut (M8, Flange)	4
3	526920001	Spacer	1	11	330073003	Front Wheel Assembly	2
4	682162001	Blade	1	12	696316001	Front Wheel Axle	1
5	526921001	Blade Holder	1	13	330072002	Rear Wheel Assembly	2
6	613427001	Motor Shaft Bushing	1	14	696318001	Rear Wheel Axle	1
7	660722002	Bolt (M6 x 26 mm, Hex Hd.)	4	15	660563002	Screw (M4 x 20 mm, T20 Torx Pan Hd.)	8
8	638557001	Washer (ID6.2 x OD15 x 0.08t)	4				

RYOBI LAWN MOWER - ITEM NO. RY40108



WIRING DIAGRAM