

**RYOBI  
40 VOLT LAWN MOWER  
ITEM NO. RY40104  
MANUFACTURING NO. 107928039  
REPAIR SHEET**

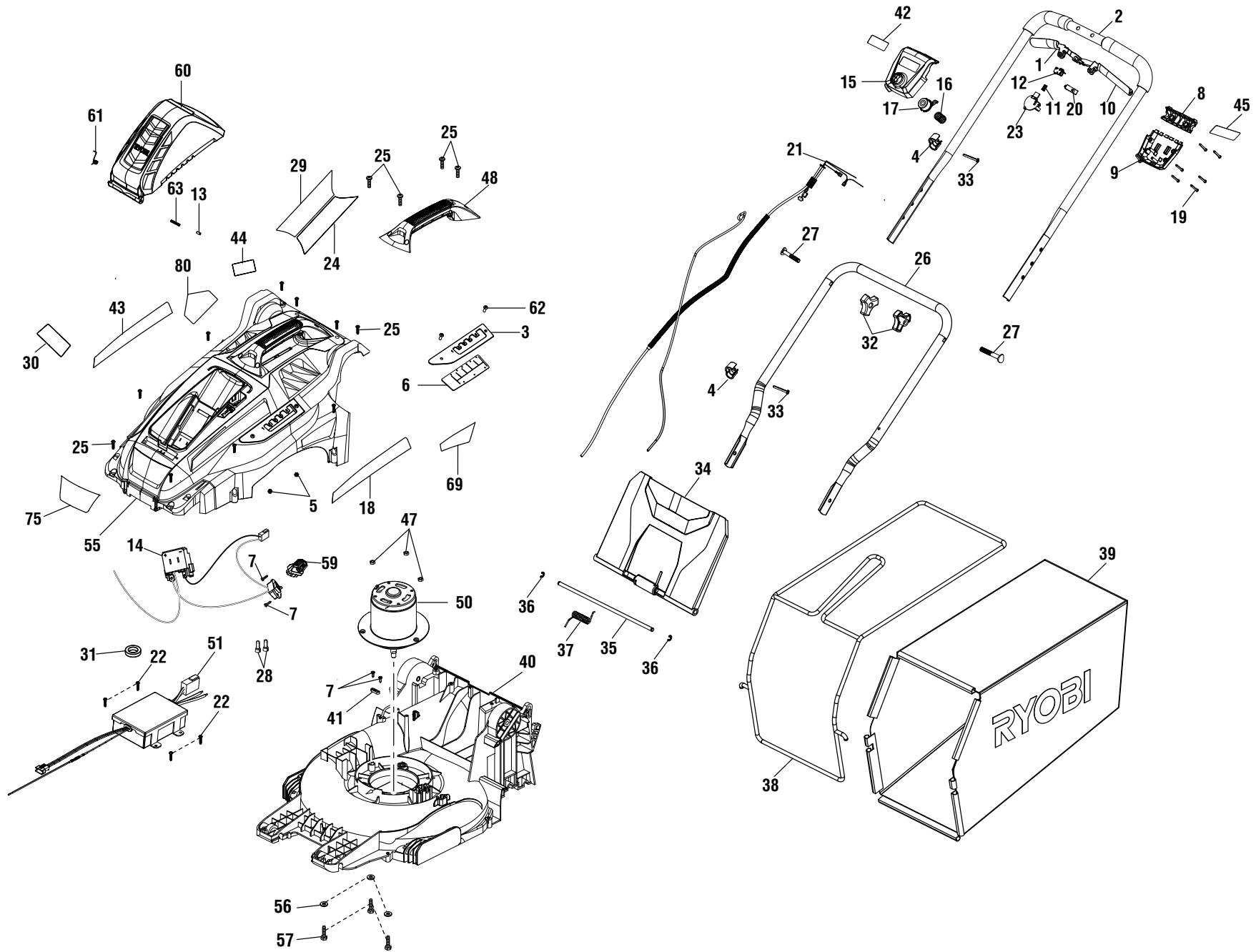
**Techtronic Industries Power Equipment**

1428 Pearman Dairy Road, Anderson, SC 29625

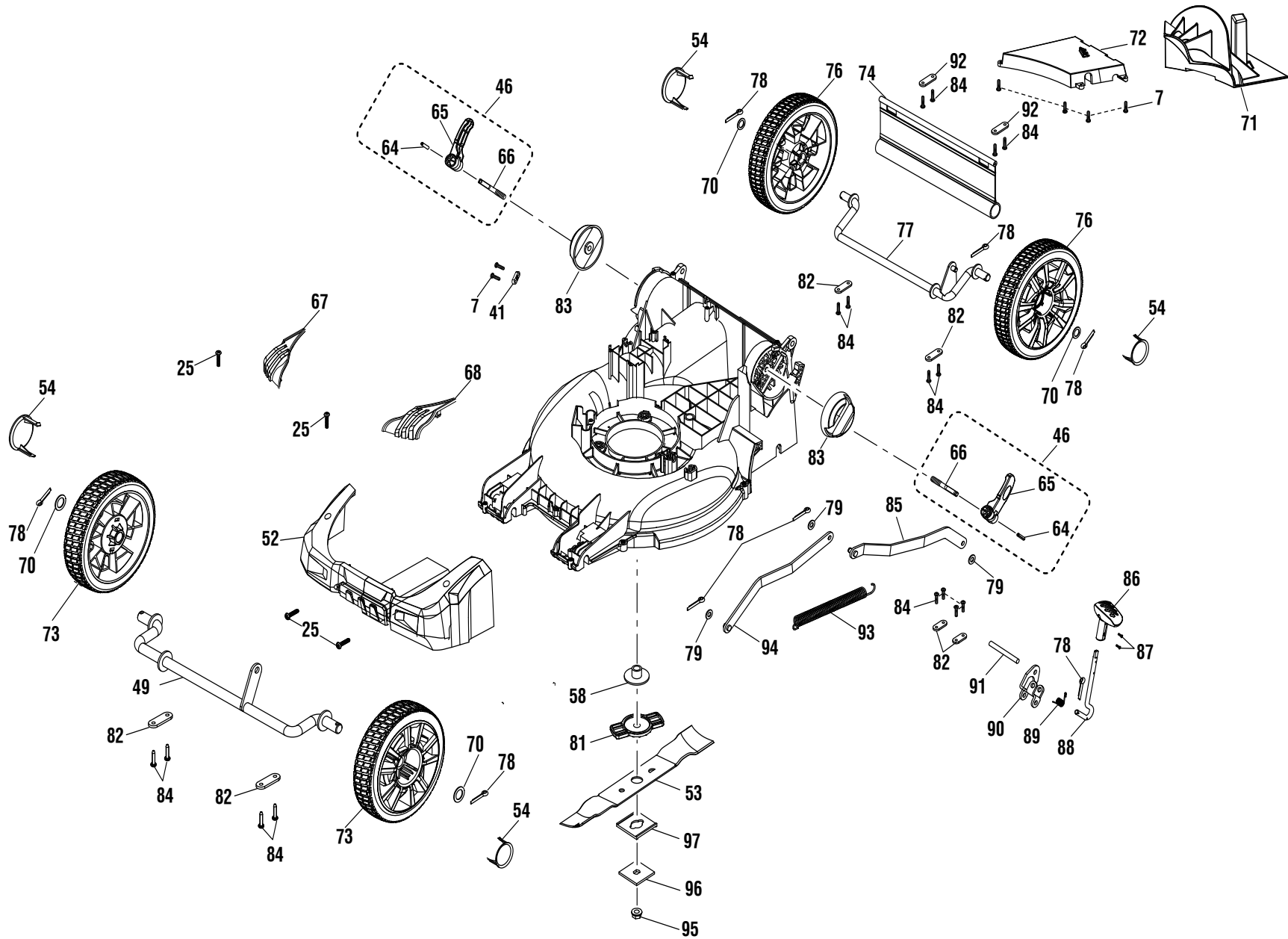
Phone 1-800-860-4050

[www.ryobitools.com](http://www.ryobitools.com)

# RYOBI RY40104 40 VOLT LAWN MOWER



RYOBI RY40104 40 VOLT LAWN MOWER



## RYOBI RY40104 40 VOLT LAWN MOWER

The model number will be found on a label attached to the deck. Always mention the model number in all correspondence regarding your **LAWN MOWER** or when ordering replacement parts.

### PARTS LIST

Key Part No. Number	Description	Qty	Key Part No. Number	Description	Qty		
1	527969002	Trigger Handle (Right Power Lever) .....	1	27	662104001	Screw (M8 x 57 mm).....	2
2	307021006	Upper Handle Assembly .....	1	28	790021001	Wire Connector .....	2
3	639193005	Height Adjustment Plate .....	1	29	941846007	Warning Icon Label (Left) .....	1
4	532410001	Cord Clamp.....	2	30	940851143	Start Key Label (Eng) .....	1
5	678509001	Lock Nut (M5) .....	2	31	850122001	Ferrite Induct Ring .....	1
6	570839002	Dust Gasket .....	1	32	528360001	Knob .....	2
7	660608002	Screw (M4 x 16, T20 Torx Hd.).....	10	33	660203059	Screw (M3 x 20 mm, Pan Hd.).....	2
8	527967001	Lower Cover (Stain Handle).....	1	34	526857003	Rear Discharge Door.....	1
9	527542002	Lower Cover (Trigger Housing) .....	1	35	639200001	Rear Door Axle.....	1
10	527970002	Trigger Handle (Left Power Lever).....	1	36	678880001	Retaining Ring (E).....	2
11	694218001	Compression Spring .....	1	37	679076001	Torsion Spring (Rear Door) .....	1
12	760279002	Switch .....	1	38	639183003	Bag Frame .....	1
13	621628001	Battery Door Axle.....	1	39	970699003	Bag.....	1
14	291921001	Inner Wire w/Battery Holder Assembly .....	1	40	526854009	Deck.....	1
15	527966002	Upper Cover (Control Assembly) .....	1	41	513211001	Cord Clamp.....	2
16	694136002	Compression Spring .....	1	42	940705269	Ryobi Logo Label (Handle).....	1
17	527968002	Start Button .....	1	43	940851118	Lithium Label (Right) .....	1
18	940851117	Lithium Label (Left) .....	1	44	941588234	Data Label.....	1
19	660208104	Screw (M4 x 30 mm, T15 Torx Pan Hd.).....	6	45	940686159	Starting Instructions Label.....	1
20	760536001	Switch .....	1	46	350878001	Handle Lock Assembly .....	2
21	291741001	Starter Cable (Long).....	1	47	680196006	Lock Nut (M6) .....	3
22	661610009	Screw (M3.5 x 12 mm, T15 Torx Pan Hd.) .....	4	48	526874001	Handle.....	1
23	527816001	Switch Holder .....	1	49	636379002	Front Wheel Axle.....	1
24	941846008	Warning Icon Label (Right).....	1	50	741922002	Motor .....	1
25	660563002	Screw (M3.5 x 20 mm, T20 Torx Pan Hd.) .....	18	51	280705001	Soft Start Circuit Board.....	1
26	696080001	Lower Handle.....	1	52	526975001	Bumper .....	1

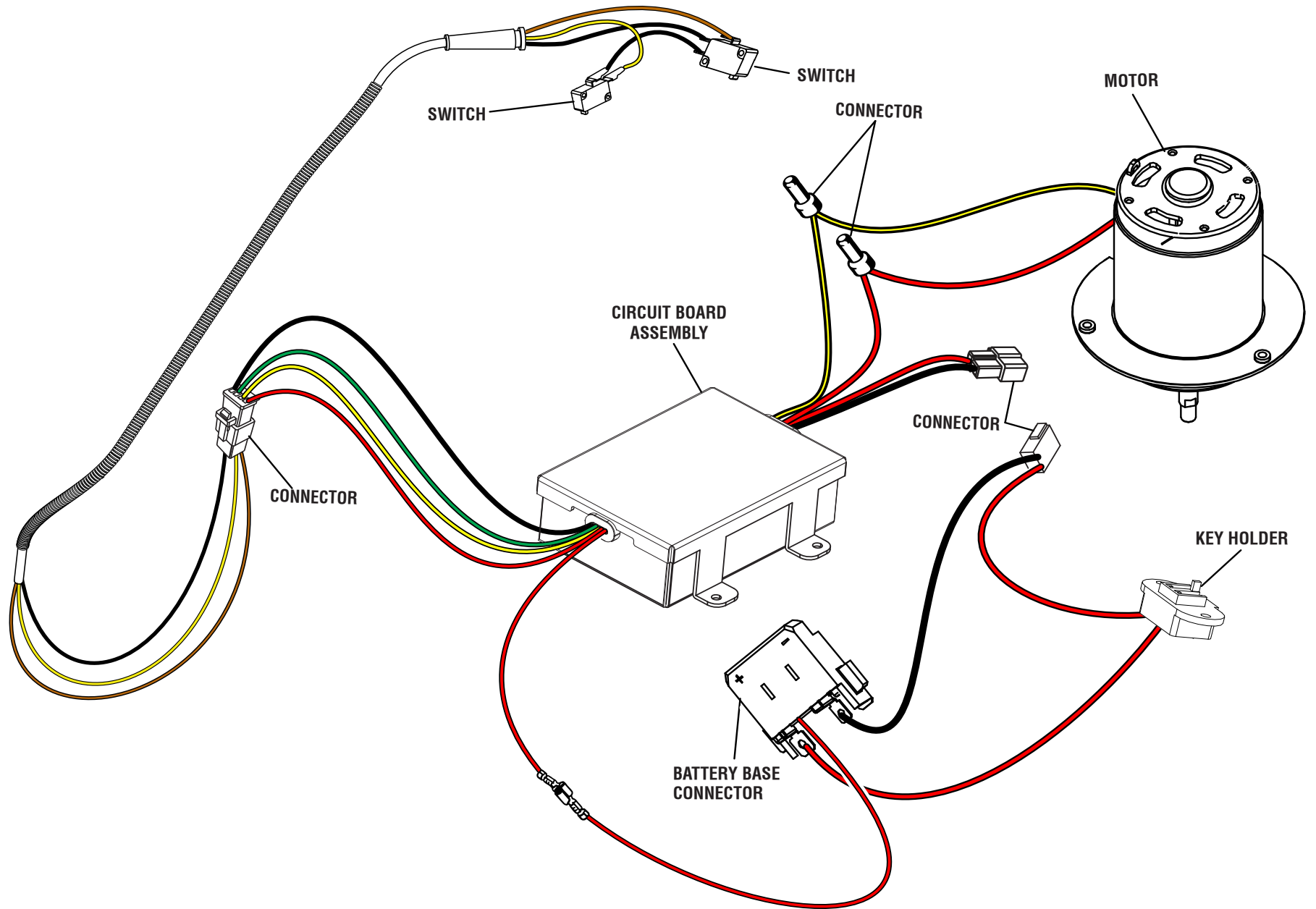
## RYOBI RY40104 40 VOLT LAWN MOWER

The model number will be found on a label attached to the deck. Always mention the model number in all correspondence regarding your **LAWN MOWER** or when ordering replacement parts.

### PARTS LIST (Continued)

Key Part No. Number	Description	Qty	Key Part No. Number	Description	Qty		
53	639180004	Blade (16 in.) .....	1	78	678279004	Cotter Pin (2.5).....	8
54	526876001	Wheel Cover .....	4	79	639013001	Washer (OD18 x ID8.4 x 1t) .....	3
55	526856001	Deck Cover .....	1	80	941641001	Cut Finger Label .....	1
56	638557001	Washer (OD15 x ID6 x 1t) .....	3	81	526921001	Blade Holder .....	1
57	660722002	Bolt (M6 x 26 mm, Hex Hd.) .....	3	82	639116001	Axle Pressure Plate.....	6
58	639120001	Motor Shaft Bushing.....	1	83	526922001	Base (Lock Handle).....	2
59	311280001	Start Key .....	1	84	661189003	Screw (M4 x 18 mm, T20 Torx Pan Hd.).....	16
60	526855001	Battery Cover.....	1	85	639186001	Rear Lift Rod.....	1
61	679074001	Torsion Spring (Battery Door) .....	1	86	526924001	Height Adjustment Handle.....	1
62	660713001	Screw (M5 x 16 mm, Pan Hd.).....	2	87	664021001	Screw (M3 x 9 mm, Flat Hd.) .....	2
63	679073001	Compression Spring .....	1	88	639204001	Height Adjustment Lever .....	1
64	679988001	Spring Pin .....	2	89	679992001	Torsion Spring (Height Adjustment) .....	1
65	526904001	Latch .....	2	90	639203001	Height Adjustment Bracket.....	1
66	661865001	Quick Lock Press.....	2	91	639122001	Axle (Height Adjustment) .....	1
67	526977001	Grass Protector (Right) .....	1	92	639125001	Pressure Plate (Height Adjustment) .....	2
68	526976001	Grass Protector (Left).....	1	93	694052001	Retention Spring .....	1
69	940851116	Cut Diameter Label (Left).....	1	94	639185003	Front Lift Rod .....	1
70	639113003	Washer (OD20 x ID13 x 1t) .....	4	95	679075001	Blade Nut (M10 x 1.25, Hex Flange Hd.) .....	1
71	526980001	Mulching Plug .....	1	96	639118001	Blade Retainer .....	1
72	525668001	Rear Cover .....	1	97	526920001	Spacer.....	1
73	311253004	Front Wheel w/Bearing & Cap (6 in., Inc. Key No. 54) ...	2	<b>NOT SHOWN:</b> 991000681    Operator's Manual 4-17-18 (Rev:02)			
74	528595001	Rear Skirt .....	1				
75	940705179	Ryobi Logo Label (Front).....	1				
76	311255005	Rear Wheel w/Bearing & Cap (8 in., Inc. Key No. 54) ....	2				
77	636378002	Rear Wheel Axle.....	1				

RYOBI RY40104 40 VOLT LAWN MOWER



WIRING DIAGRAM