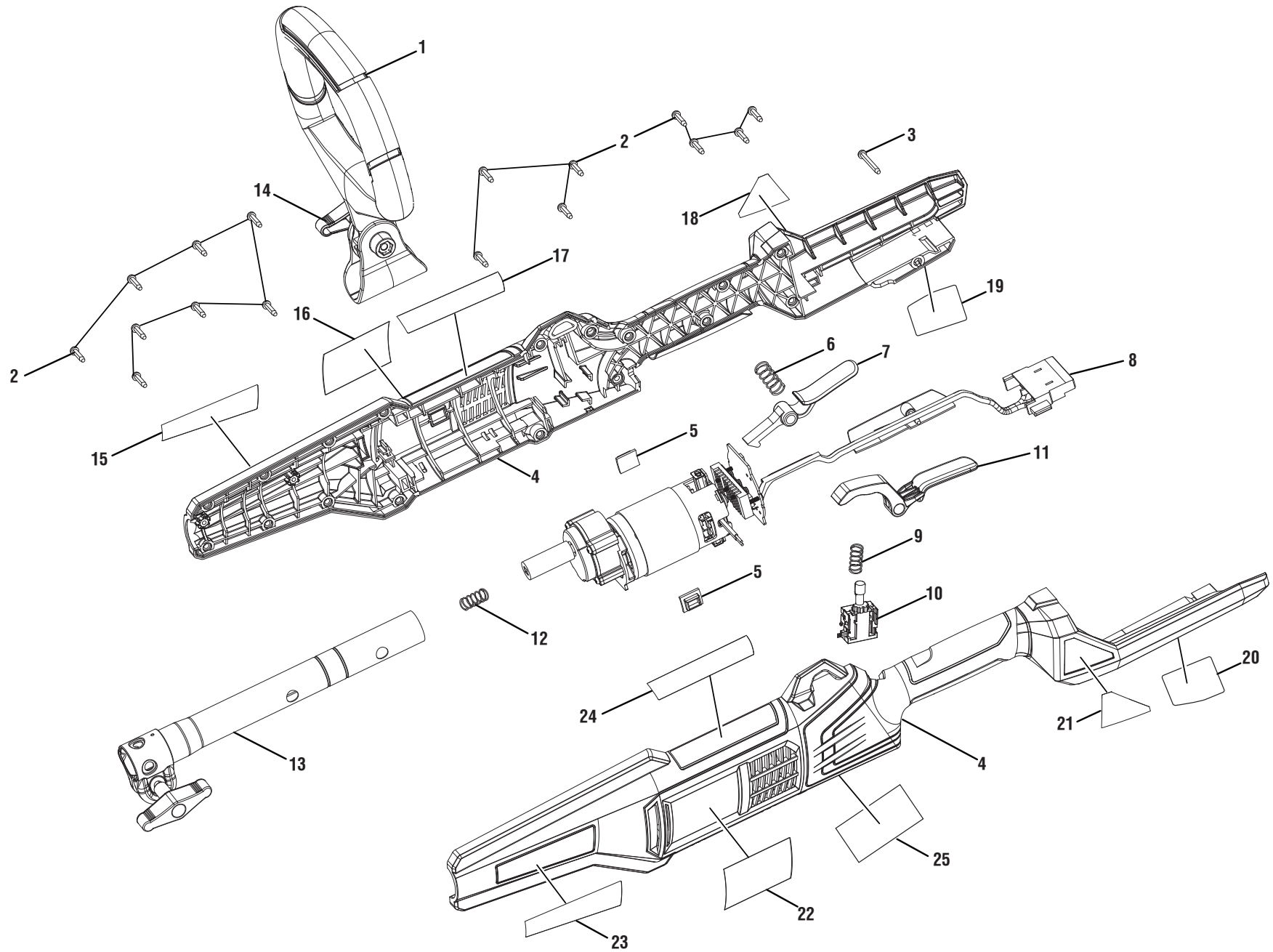


**RYOBI
POWERHEAD
ITEM NO. RY40002
MFG NO. 311177003
REPAIR SHEET**

TECHTRONIC INDUSTRIES POWER EQUIPMENT

P.O. Box 1288, Anderson, SC 29622 USA
1-800-860-4050 • www.ryobitools.com

RY40002 POWER HEAD



RY40002 POWER HEAD

The item and manufacturing number will be found on a label attached to the motor housing. Always mention the item and manufacturing number of your **POWER HEAD** when requesting service or ordering repair parts.

KEY NO.	PART NUMBER	DESCRIPTION	QTY
1	311237001	Front Handle Assembly (Inc. Key. No. 14)	1
2	T662028001	Screw (M4 x 16 mm, T15 Torx Pan Hd.)	16
3	660208104	Screw (M4 x 30 mm, T15 Torx Pan Hd.)	1
4	311222003	Rear Handle Assembly	2
5	570115001	Rubber Bumper	2
6	679406001	Compression Spring (Trigger Lock)	1
7	525589001	Trigger Lock-Out Lever	1
8	311281002	Motor, Switch & Gear Box Assembly (Inc. Key No. 10)	1
9	679494001	Compression Spring (Trigger)	1
10	760952006	Switch (Variable Speed)	1
11	526984001	Switch Trigger	1
12	679065001	Compression Spring	1
13	308470055	Upper Boom Assembly.....	2
14	313559001	Knob Assembly (M6).....	1
15	940726027	Expandit Logo Label (Right).....	1
16	940851013	Logo Label (Right).....	1
17	940749020	Warning Label	1
18	941007021	40 Volt Label (Right)	1
19	940749022	Warning Label (Spanish)	1
20	940749023	Warning Label (French)	1
21	941007022	40 Volt Label (Left)	1
22	940851014	Logo Label (Left)	1
23	940726028	Expandit Logo Label (Left).....	1
24	940657133	Icon Warning Label	1
25	940230203	Data Label.....	1

Not Shown

990000720 Operator's Manual

11-13-18
(Rev:05)