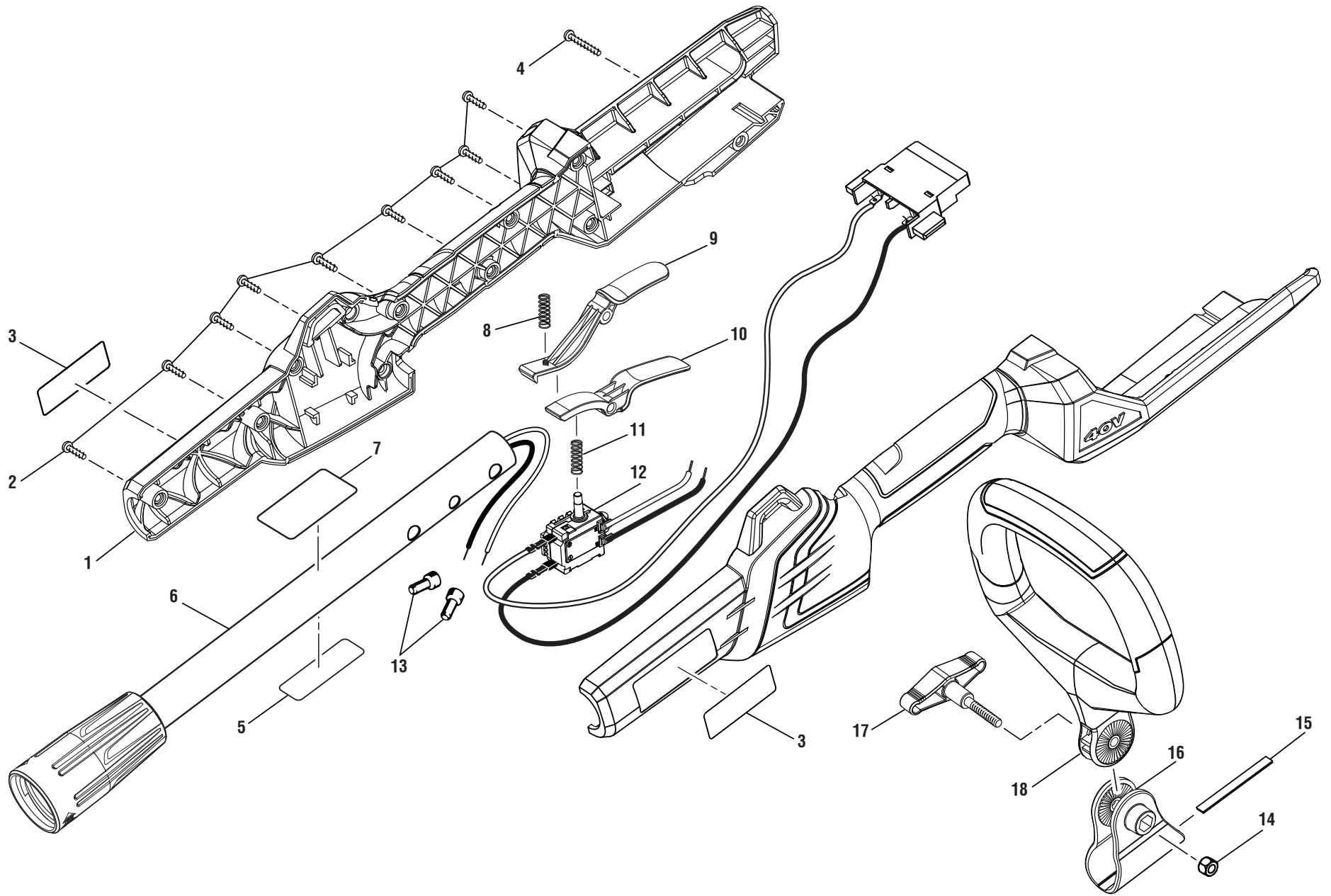


RY40001 POWER HEAD



RY40001 POWER HEAD

The model number will be found on a label attached to the motor housing. Always mention the model number of your **POWER HEAD** when requesting service or ordering repair parts.

KEY NO.	PART NUMBER	DESCRIPTION	QTY
1	129311001	Rear Handle Assembly.....	1
2	661817001	Screw (M4 x 14 mm, T15 Torx Pan Hd.)	9
3	941545002	Logo Label	2
4	660208104	Screw (M4 x 30 mm, T15 Torx Pan Hd.)	1
5	941775001	Data Label.....	1
6	311116001	Upper Tube Assembly.....	1
7	940331006	Warning Icon Label	1
8	679406001	Compression Spring (Trigger Lock)	
9	525589001	Lock Off Button (Trigger Lock).....	1
10	525590001	Switch Trigger	1
11	679973001	Compression Spring (Trigger)	1
12	129310002	Switch and Contact Plate Assembly.....	1
13	790009004	Wire Connector	2
14	680196006	Hex Nut (M6)	1
15	570112001	Handle Bracket Spacer	1
16	522984001	Bracket.....	1
17	522983001	Handle Knob Assembly.....	1
18	311158001	Auxiliary Handle Assembly (Inc. Key Nos. 14-17).....	1
	Not Shown		
	990000216	Operator's Manual	
	5-8-13		
	(Rev:02)		