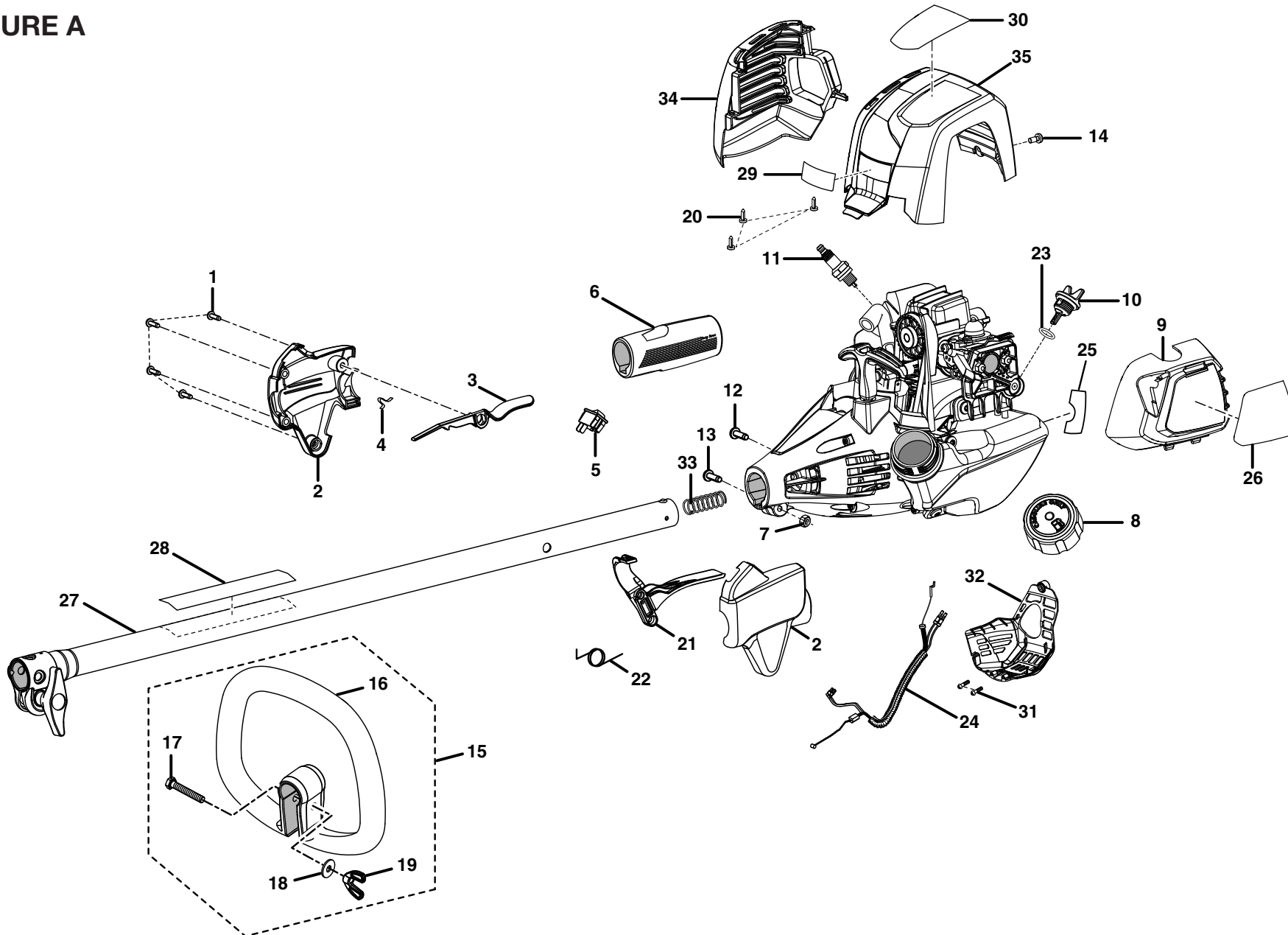


**RYOBI 30cc STRING TRIMMERS
MODEL NUMBERS – RY34420, RY34440**

FIGURE A



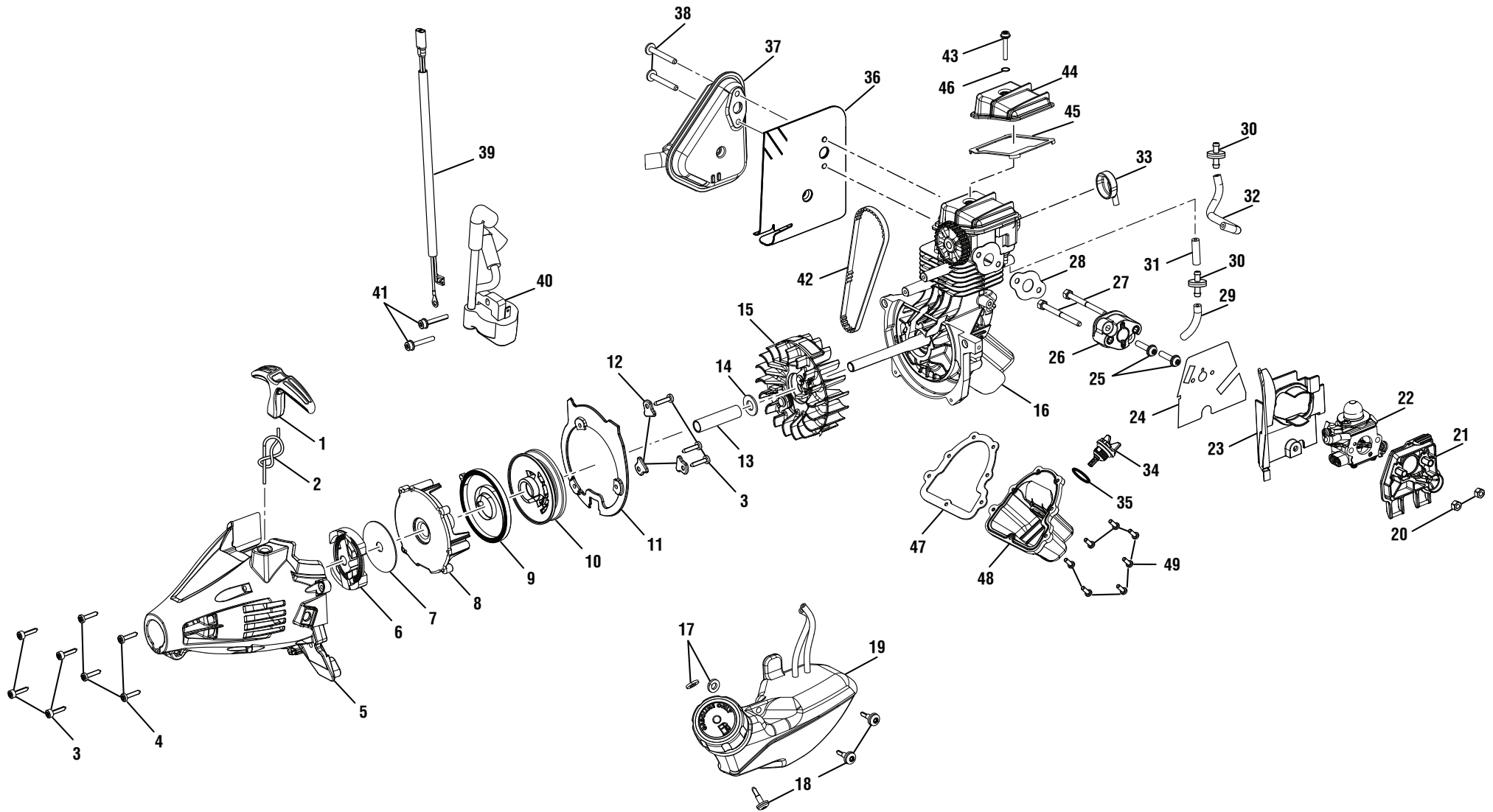
**RYOBI 30cc STRING TRIMMERS
MODEL NUMBERS – RY34420, RY34440**

PARTS LIST (FIGURE A)

KEY NO.	PART NUMBER	DESCRIPTION	QTY	KEY NO.	PART NUMBER	DESCRIPTION	QTY
1	660563002	Screw (M4 x 20 mm).....	4	21	518696002	Throttle Trigger	1
2	120950026	Control Handle Assembly.....	1	22	690694002	Throttle Trigger Spring.....	1
3	518695002	Trigger Lock.....	1	23	570400001	O-Ring	1
4	638431001	Strap Hanger	1	24	308439014	Throttle Cable and Lead Assembly (Incl. Key No. 5)	1
5	760700002	Switch (Momentary Contact).....	1	25	940680023	Hot Surface Label.....	1
6	570234002	Rear Handle.....	1	26	940734040	Starting Label	1
7	678029002	Hex Nut (M6.3 x 1).....	1	27	120950028	Upper Boom Assembly (Incl. Key No. 28).....	1
8	310586001	Fuel Cap Assembly.....	1	28	940230132	Warning Label.....	1
9	518959001	Air Box Cover	1	29	940705020	Logo Label.....	1
10	310302001	Oil Cap/Dipstick (Incl. Key No. 23)	1	30	940991026	C430 Label (RY34420).....	1
11	870217001	Spark Plug (Champion RZ7C)	1		940991027	S430 Label (RY34440)	1
12	660634001	Screw (#8-16 x 5/16 in.)	1	31	T660619001	Screw (#6-19 x 1/2 in.)	2
13	T660697001	Bolt (M6 x 1 x 30 mm)	1	32	518548001	CE Cover (Bottom Cover).....	1
14	660510005	Screw (M5 x 11 mm).....	1	33	690140011	Compression Spring.....	1
15	308991001	Front Handle Assembly (Incl. Key No. 16-19).....	1	34	518995001	Muffler Housing	1
16	518738001	Front Handle.....	1	35	518142003	Top Cover	1
17	660643008	Bolt (1/4-20 x 40 mm).....	1		987000405	Operator's Manual (960646002)	1
18	678008001	Washer (1/4 in.).....	1		4-2-13		
19	518949001	Wing Nut (1/4-20)	1		(REV:09)		
20	660466002	Screw (M4 x 12 mm).....	3				

RYOBI 30cc STRING TRIMMERS
MODEL NUMBERS - RY34420, RY34440

FIGURE B



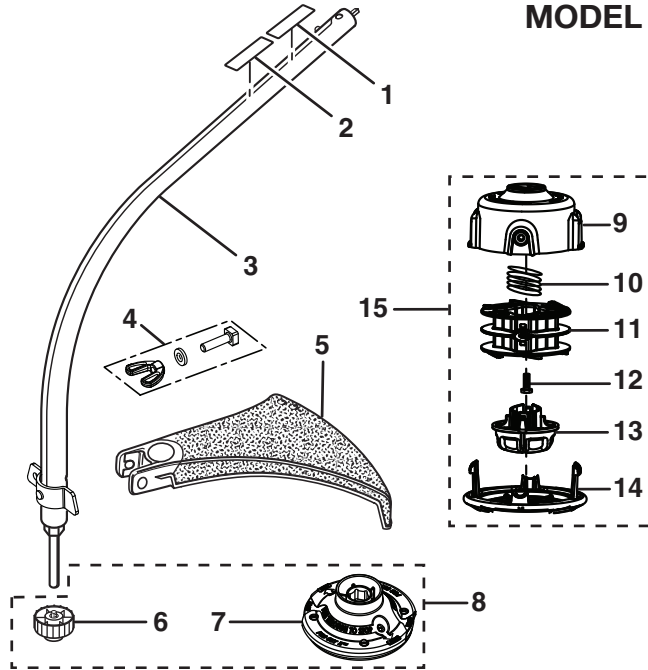
**RYOBI 30cc STRING TRIMMERS
MODEL NUMBERS – RY34420, RY34440**

PARTS LIST (FIGURE B)

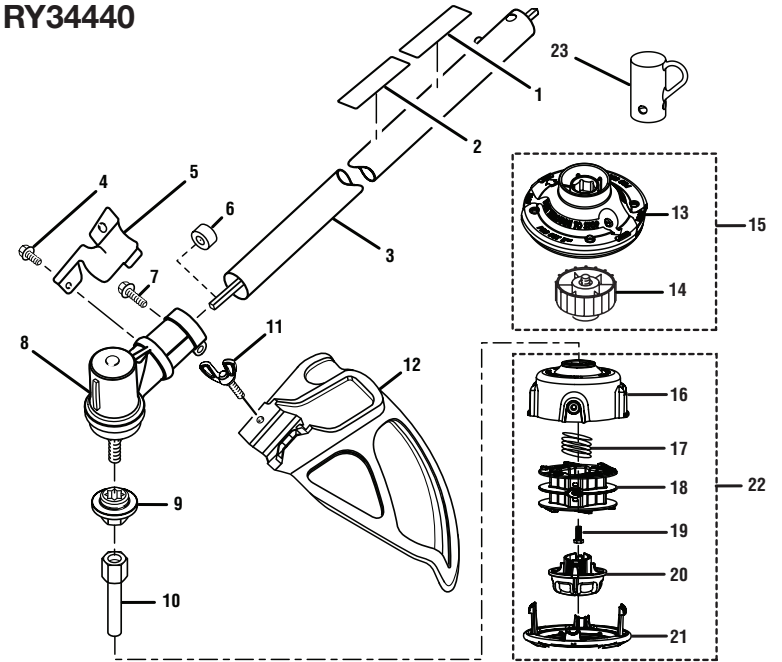
KEY NO.	PART NUMBER	DESCRIPTION	QTY	KEY NO.	PART NUMBER	DESCRIPTION	QTY
1	511731004	Starter Grip.....	1	26	518143001	Heat Dam	1
2	900849002	Starter Rope.....	1	27	661509002	Bolt.....	2
3	660466001	Screw (M4 x 18 mm)	7	28	901657002	Heat Dam Gasket.....	1
4	660970001	Screw (M4 x 16 mm)	4	29	570710002	Breather Hose	1
5	310304001	Starter Housing Assembly	1	30	308826002	Check Valve.....	2
6	300960002	Clutch Assembly	1	31	570710003	Breather Hose	1
7	638090001	Washer	1	32	570710004	Breather Hose	1
8	518994001	Starter Baffle	1	33	570401003	Breather Fitting.....	1
9	638033001	Spring & Container.....	1	34	310302001	Oil Cap/Dipstick (Incl. Key No. 35).....	1
10	310022001	Easy Starter Assembly	1	35	570400001	O-Ring.....	1
11	518996001	Air Dam	1	36	901702002	Muffler Gasket.....	1
12	638389001	Pulley Retainer	3	37	309320001	Muffler Assembly.....	1
13	638284002	Spacer Tube	1	38	661143001	Muffler Bolt (M5 x 42 mm).....	2
14	650017001	Washer	1	39	308863022	Electrical Lead Wire Assembly.....	1
15	309011001	Flywheel Assembly.....	1	40	309263002	Ignition Module	1
16	309921013	Short Block Assembly.....	1	41	660968001	Screw (M4 x 19 mm)	2
17	638576001	Washer	2	42	901656002	Timing Belt	1
18	660970008	Screw (M4)	3	43	660780002	Screw (M4 x 27 mm total, 14 mm threaded).....	1
19	310585001	Fuel Tank & Cap Assembly (Incl. Key Nos. 17-18).....	1	44	518649001	Cam Cover	1
20	678180002	Nut (M5 x 0.8).....	2	45	901705001	Gasket.....	1
21	518960001	Air Filter Base.....	1	46	570400002	O-Ring.....	1
22	309368001	Carburetor Assembly	1	47	570709002	Gasket.....	1
23	521401001	Air Baffle.....	1	48	518924002	Oil Pan.....	1
24	900809003	Carburetor Gasket.....	1	49	660925003	Screw (M4 x 12 mm)	7
25	660629003	Screw (M5 x 23 mm)	2				

**RYOBI 30cc STRING TRIMMERS
MODEL NUMBERS – RY34420, RY34440**

**FIGURE C
MODEL
RY34420**



**FIGURE C
MODEL
RY34440**



Key No.	Service Number	Description	Qty.
1	940627024	Expand-it Label.....	1
2	940230132	Warning Decal	1
3	308841002	Curved Shaft Assembly	1
4	120642001	Fastener Kit.....	1
5	308052001	Grass Deflector	1
6	308042002	Spool Retainer (Black)	1
7	308925001	Pro Cut II String Head	1
8	120950011	Pro Cut II String Head Assembly	1
9	308827002	Housing (Inc. Key No. 14)	1
10	678749001	Spring.....	1
11	308924001	Spool.....	1
12	660650001	Bolt (5/16-18 x 1/2 in.)	1
13	518803001	Knob.....	1
14	518804001	Cover.....	1
15	120950010	Reel Easy String Head Assembly	1
16	518019002	Hanger Cap.....	1

Key No.	Service Number	Description	Qty.
1	940627024	Expand-it Label.....	1
2	940230132	Warning Decal.....	1
3	308035011	Straight Shaft Assembly	1
4	660736001	Screw (10-24 x 5/8 in.).....	1
5	638125001	Clamp.....	1
6	518367001	Spacer.....	1
7	660642001	Screw (1/4-20 x 1-1/4 in.)	1
8	308210002	Gear Head.....	1
9	678011002	Flanged Washer	1
10	678019002	Arbor	1
11	660886001	Wing Screw (1/4-20 x 1-1/4 in.)	1
12	308473001	Grass Deflector Assembly	1
13	308925001	Pro Cut II String Head.....	1
14	308042003	Spool Retainer (Red)	1
15	120950011	Pro Cut II String Head Assembly	1
16	308827002	Housing (Inc. Key No. 21)	1
17	678749001	Spring.....	1
18	308924001	Spool.....	1
19	660649001	Bolt (5/16-18 x 1/2 in. LH).....	1
20	518803001	Knob.....	1
21	518804001	Cover.....	1
22	120950010	Reel Easy String Head Assembly	1
23	518019002	Hanger Cap.....	1