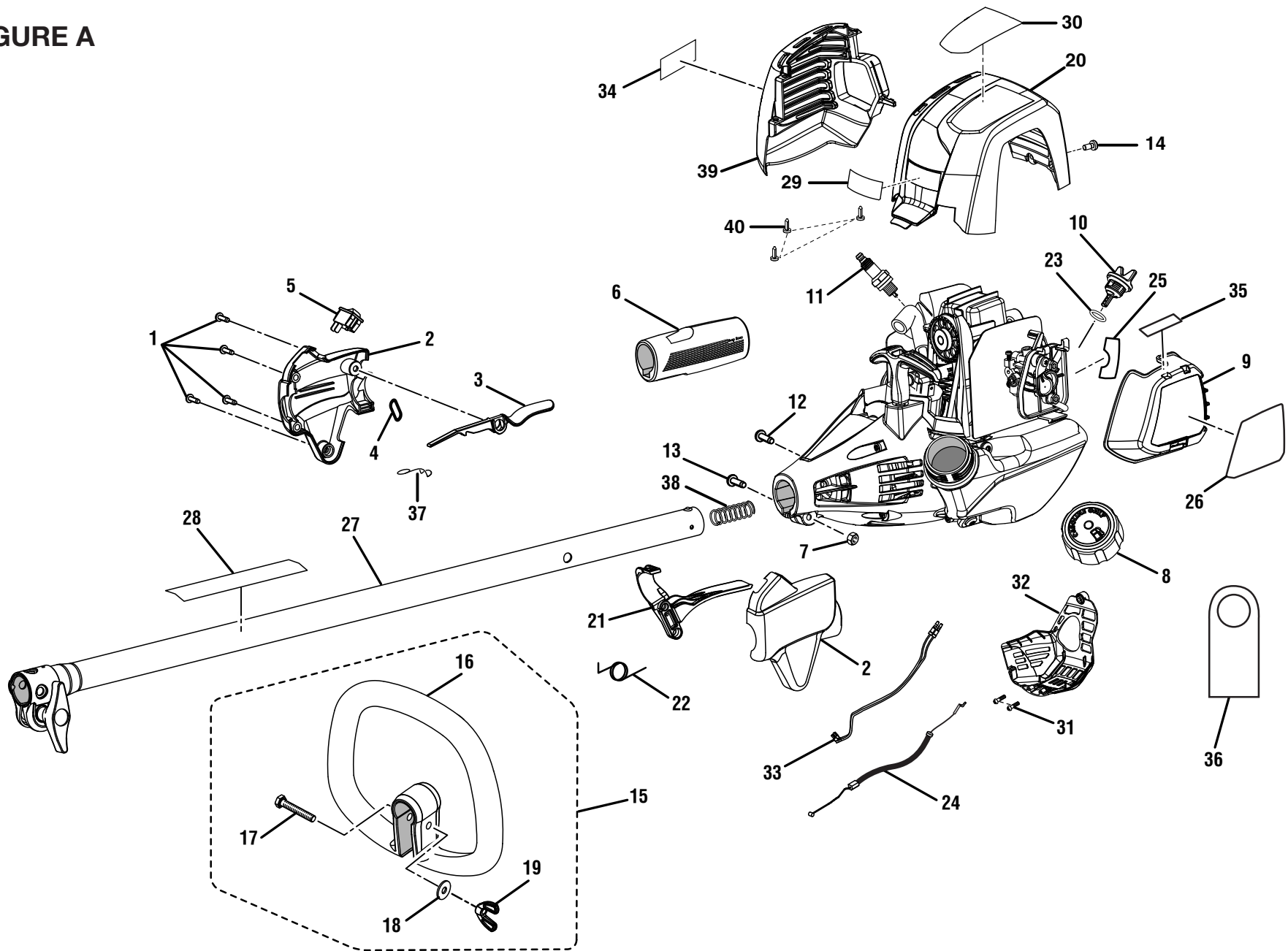


RYOBI 30cc STRING TRIMMERS
MODEL NUMBERS - RY34421, RY34441

FIGURE A



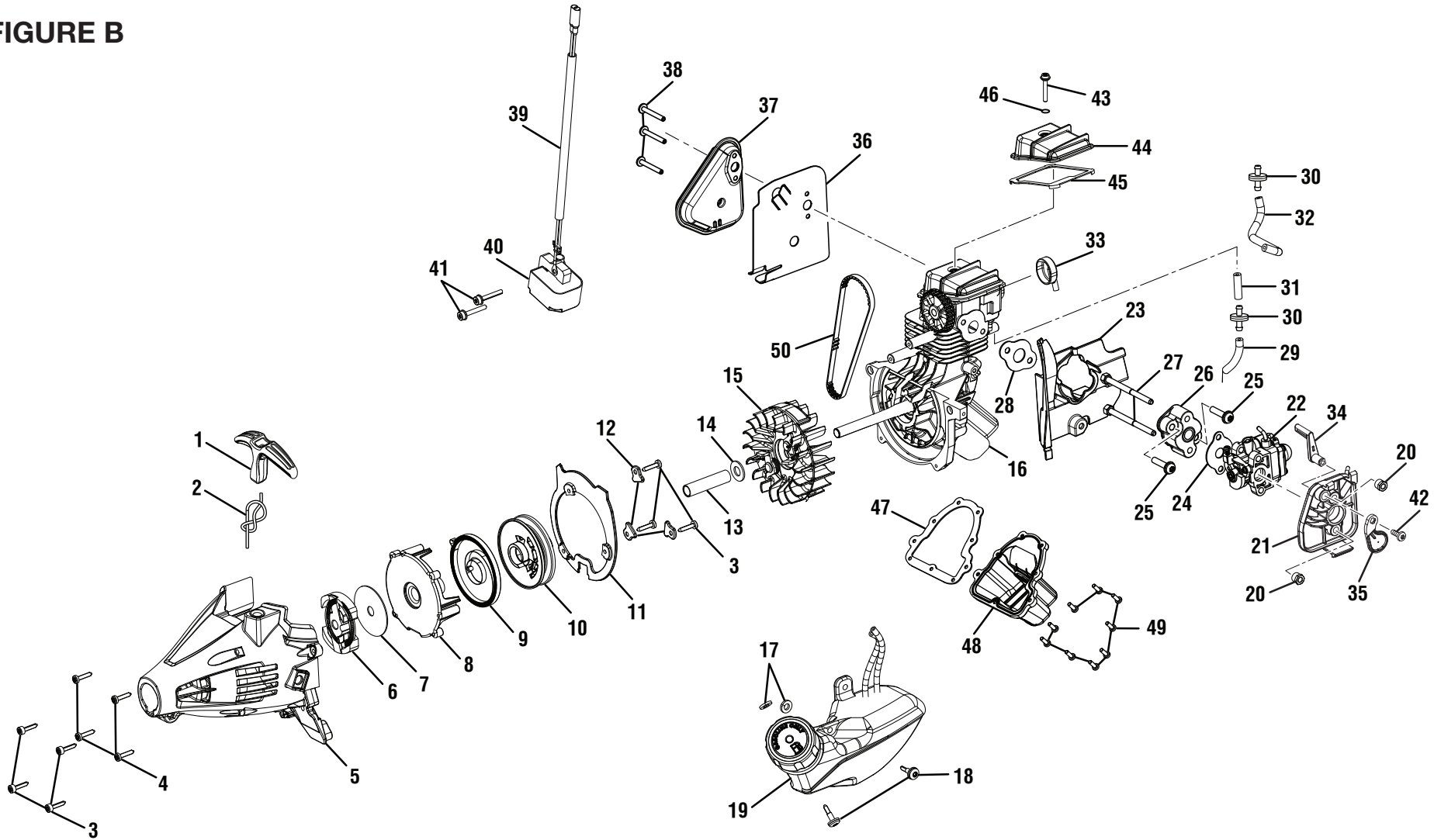
**RYOBI 30cc STRING TRIMMERS
MODEL NUMBERS – RY34421, RY34441**

PARTS LIST (FIGURE A)

KEY NO.	PART NUMBER	DESCRIPTION	QTY	KEY NO.	PART NUMBER	DESCRIPTION	QTY
1	660563002	Screw (M4 x 20 mm).....	4	23	570400001	O-ring.....	1
2	120950026	Control Handle Assembly	1	24	308842007	Throttle Cable	1
3	518695002	Trigger Lock	1	25	940680023	Hot Surface Label.....	1
4	638431001	Strap Hanger	1	26	940734067	Starting Label.....	1
5	760700002	Switch (Momentary Contact).....	1	27	120950028	Upper Boom Assembly (Incl. Key No. 28)	1
6	570234002	Rear Handle	1	28	940657034	Warning Label.....	1
7	678029002	Hex Nut (M6.3 x 1).....	1	29	940705020	Logo Label	1
8	310816002	Fuel Cap Assembly.....	1	30	940991026	C430 Label (RY34421).....	1
9	521403001	Air Box Cover.....	1		940991027	S430 Label (RY34441)	1
10	310302001	Oil Cap/Dipstick (Incl. Key No. 23)	1	31	T660619001	Screw (#6-19 x 1/2 in.).....	2
11	870301002	Spark Plug (Champion RY4C).....	1	32	518548001	CE Cover (Bottom Cover)	1
12	660634001	Screw (#8-16 x 5/16 in.).....	1	33	308431002	Lead Assembly (Inc. Key No. 5).....	1
13	660697002	Bolt (M6 x 1 x 20 mm).....	1	34	940654088	Combustion Warning Label	1
14	660510005	Screw (M5 x 11 mm).....	1	35	940216002	Choke Label.....	1
15	308991001	Front Handle Assembly (Incl. Key No. 16-19)	1	36	940971028	Oil Hang Tag	1
16	518738001	Front Handle	1	37	678818001	Spring	1
17	660643008	Bolt (1/4-20 x 40 mm)	1	38	690140011	Compression Spring	1
18	678008001	Washer (1/4 in.).....	1	39	518995001	Muffler Housing	1
19	518949001	Wing Nut (1/4-20).....	1	40	660466002	Screw (M4 x 12 mm).....	3
20	518142003	Top Cover	1		Not Shown:		
21	518696002	Throttle Trigger.....	1		987000857	Operator's Manual (960424001)	1
22	690694002	Throttle Trigger Spring	1		01-03-13 (REV:04)		

RYOBI 30cc STRING TRIMMERS
MODEL NUMBERS - RY34421, RY34441

FIGURE B



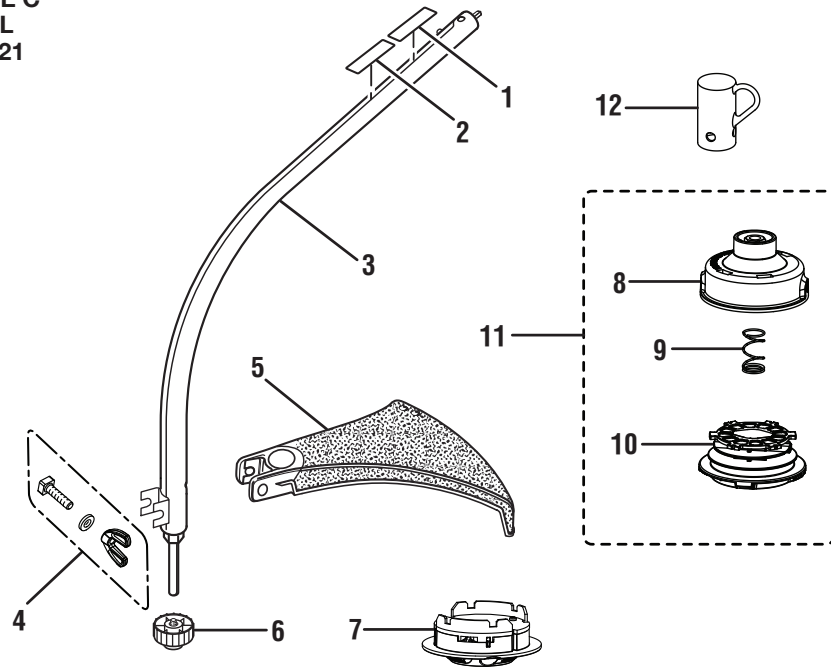
**RYOBI 30cc STRING TRIMMERS
MODEL NUMBERS – RY34421, RY34441**

PARTS LIST (FIGURE B)

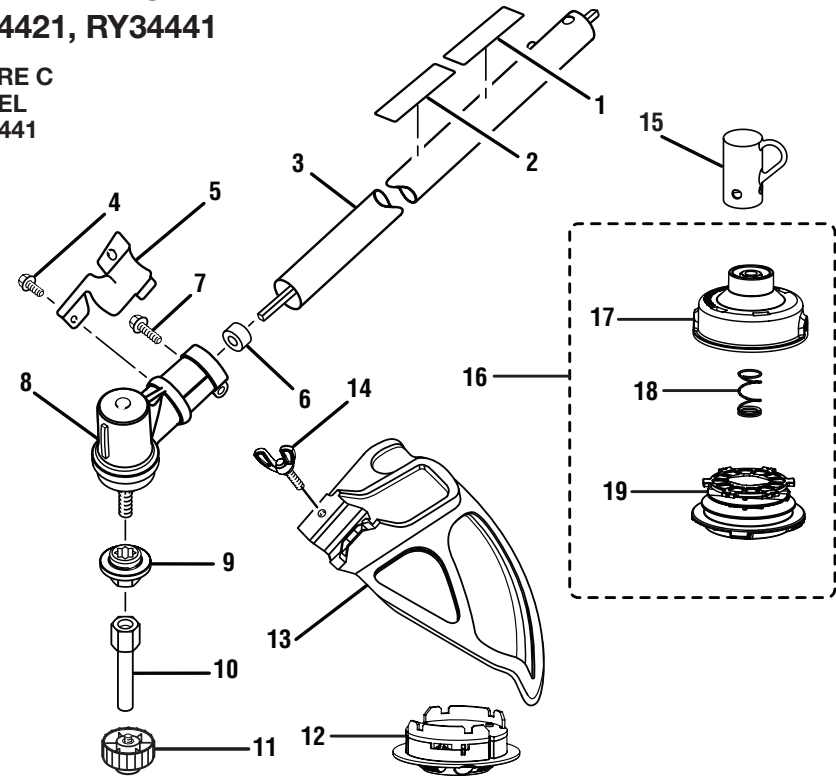
KEY NO.	PART NUMBER	DESCRIPTION	QTY	KEY NO.	PART NUMBER	DESCRIPTION	QTY
1	511731004	Starter Grip.....	1	26	521400001	Heat Dam	1
2	900849002	Starter Rope (42 in)	1	27	661509002	Bolt (M5 x 63 mm).....	2
3	660466001	Screw (M4 x 18 mm)	7	28	901657002	Heat Dam Gasket.....	1
4	660970001	Screw (M4 x 16 mm)	4	29	570710002	Breather Hose	1
5	310304001	Starter Housing Assembly	1	30	308826002	Check Valve.....	2
6	300960002	Clutch Assembly	1	31	570710003	Breather Hose	1
7	638090001	Washer	1	32	570710004	Breather Hose	1
8	518994001	Starter Baffle	1	33	570401003	Breather Fitting.....	1
9	638033001	Spring & Container.....	1	34	521609001	Choke Lever	1
10	521519001	Starter Pulley.....	1	35	521608001	Choke Plate.....	1
11	518996001	Air Dam	1	36	901702001	Muffler Gasket.....	1
12	638389001	Pulley Retainer	3	37	309320002	Muffler Assembly.....	1
13	638284002	Spacer Tube	1	38	661143001	Muffler Bolt (M5 x 42 mm).....	3
14	650017001	Washer	1	39	308863022	Electrical Lead Wire Assembly.....	1
15	309011001	Flywheel Assembly.....	1	40	309263002	Ignition Module	1
16	309921013	Short Block Assembly.....	1	41	660968001	Screw (M4 x 19 mm)	2
17	638576001	Washer	2	42	660345001	Screw (M4 x 12 mm)	1
18	660970008	Screw (M4)	3	43	660780002	Screw (M4 x 27 mm Total, w/14 mm Threaded) ...	1
19	310585004	Fuel Tank & Cap Assembly (Incl. Key Nos. 17-18).....	1	44	638692001	Cam Cover	1
20	678868001	Hex Nut (M5 x 0.8)	2	45	901705001	Gasket.....	1
21	308398004	Air Filter Base.....	1	46	570400002	O-ring	1
22	309370002	Carburetor Assembly	1	47	570709002	Gasket.....	1
23	521401002	Air Baffle.....	1	48	518924002	Oil Pan.....	1
24	900809009	Carburetor Gasket.....	1	49	660925003	Screw (M4 x 12 mm)	9
25	660629003	Screw (M5 x 23 mm)	2	50	901656002	Timing Belt	1

**RYOBI 30cc STRING TRIMMERS
MODEL NUMBERS – RY34421, RY34441**

**FIGURE C
MODEL
RY34421**



**FIGURE C
MODEL
RY34441**



KEY NO.	PART NUMBER	DESCRIPTION	QTY
1	940726013	Expand-it Label.....	1
2	940230132	Warning Decal	1
3	308841002	Curved Shaft Assembly	1
4	120642001	Fastener Kit.....	1
5	308052001	Grass Deflector.....	1
6	308042002	Spool Retainer (Black)	1
7	310734002	Dual Spool Insert	1
8	310643001	Housing.....	1
9	678022001	Spring	1
10	310412001	Spool.....	1
11	309562001	Reel Easy String Head Assembly	1
12	518019002	Hanger Cap.....	1

KEY NO.	PART NUMBER	DESCRIPTION	QTY
1	940726013	Expand-it Label.....	1
2	940230132	Warning Decal.....	1
3	308035013	Straight Shaft Assembly.....	1
4	660736001	Screw (10-24 x 5/8 in.).....	1
5	638125001	Clamp.....	1
6	518367001	Spacer.....	1
7	660642001	Screw (1/4-20 x 1-1/4 in.).....	1
8	308210002	Gear Head.....	1
9	678011002	Flanged Washer	1
10	678019002	Arbor	1
11	308042003	Spool Retainer (Red)	1
12	310734002	Dual Spool Insert.....	1
13	308473001	Grass Deflector Assembly.....	1
14	660886001	Wing Screw (1/4-20 x 1-1/4 in.).....	1
15	518019002	Hanger Cap.....	1
16	309562001	Reel Easy String Head Assembly.....	1
17	310643001	Housing.....	1
18	678022001	Spring.....	1
19	310412001	Spool.....	1