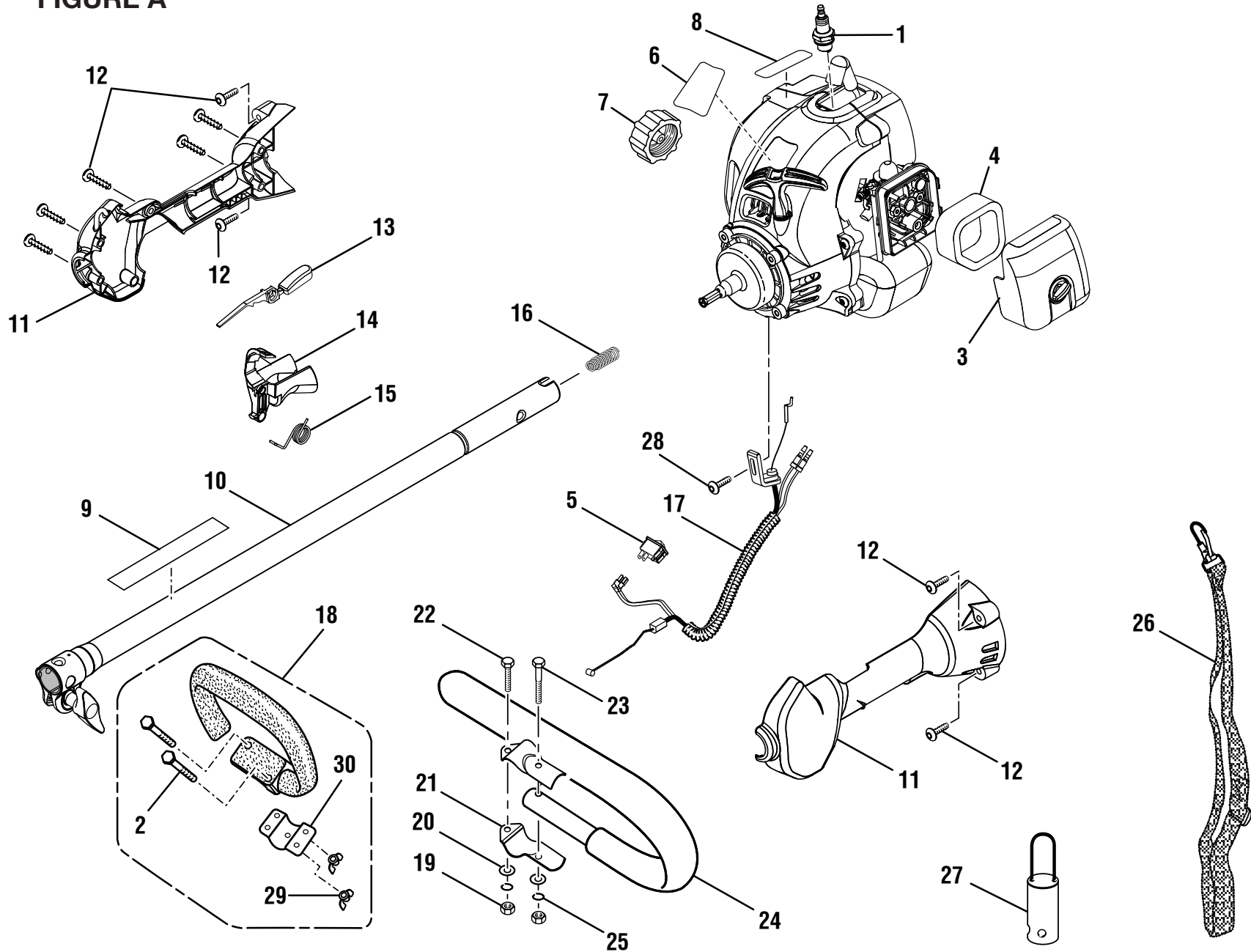


RYOBI 30cc STRING TRIMMERS AND BRUSHCUTTER  
MODEL NUMBERS - RY30520, RY30540, RY30560, RY30921, RY30941, RY30961

FIGURE A



**RYOBI 30cc STRING TRIMMERS AND BRUSHCUTTER  
MODEL NUMBERS – RY30520, RY30540, RY30560, RY30921, RY30941, RY30961**

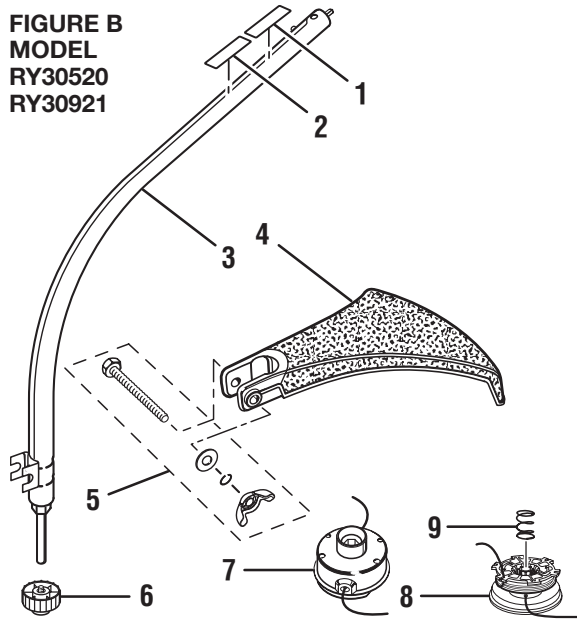
**FIGURE A PARTS LIST**

<b>KEY NO.</b>	<b>PART NUMBER</b>	<b>DESCRIPTION</b>	<b>QTY.</b>	<b>KEY NO.</b>	<b>SERVICE NUMBER</b>	<b>DESCRIPTION</b>	<b>QTY.</b>
1	870174001	Spark Plug (*Champion RCJ6Y) . . . . .	1	14	518012002	Trigger. . . . .	1
2	660881001	* Bolt (M5 x 30 mm Hex Hd.) (CS30 and SS30) . . . . .	2	15	678021001	Torsion Spring. . . . .	1
3	350492002	Air Box Cover . . . . .	1	16	678252001	Compression Spring. . . . .	1
4	560873001	Air Filter Element . . . . .	1	17	308439001	Throttle and Lead Assembly . . . . .	1
5	760363002	Switch (Momentary Contact) . . . . .	1	18	308472001	Front Handle Assembly (CS30 and SS30) . . . . .	1
6	940627021	Model Label (CS30) . . . . .	1	19	678016001	* Hex Nut (1/4-20) (BC30) . . . . .	2
	940627022	Model Label (SS30) . . . . .	1	20	678013001	Washer (BC30) . . . . .	2
	940627023	Model Label (BC30) . . . . .	1	21	638014001	Handle Bar Clamp (BC30) . . . . .	2
7	308680002	Fuel Cap Assembly. . . . .	1	22	660643002	* Bolt (1/4-20 x 1 in. Hex Hd.) (BC30) . . . . .	1
8	940299600	Logo Plate . . . . .	1	23	660643001	* Bolt (1/4-20 x 1-1/2 in. Hex Hd.) (BC30) . . . . .	1
9	940230132	Warning Decal (CS30 and SS30) . . . . .	1	24	308046001	“J” Handle and Grip (BC30) . . . . .	1
	940627027	Warning Decal (BC30) . . . . .	1	25	678012001	Lock Washer (BC30) . . . . .	2
10	000998237	Upper Boom Assembly (CS30 and SS30) . . . . .	1	26	308487001	Shoulder Strap (BC30) . . . . .	1
	000998238	Upper Boom Assembly (BC30) . . . . .	1	27	518019001	Hanger Cap . . . . .	1
11	000998236	Control Handle Assembly. . . . .	1	28	660616001	Screw (10-24 x 7/8 in.) . . . . .	1
12	660618002	* Screw (10-14 x 1 in.) . . . . .	9	29	678256001	* Wing Nut (M5) . . . . .	2
13	518011002	Trigger Lock . . . . .	1	30	638008001	Handle Bar Clamp (CS30 and SS30) . . . . .	1
					987000031	Operator’s Manual	
					987000032	Replacement Parts List	

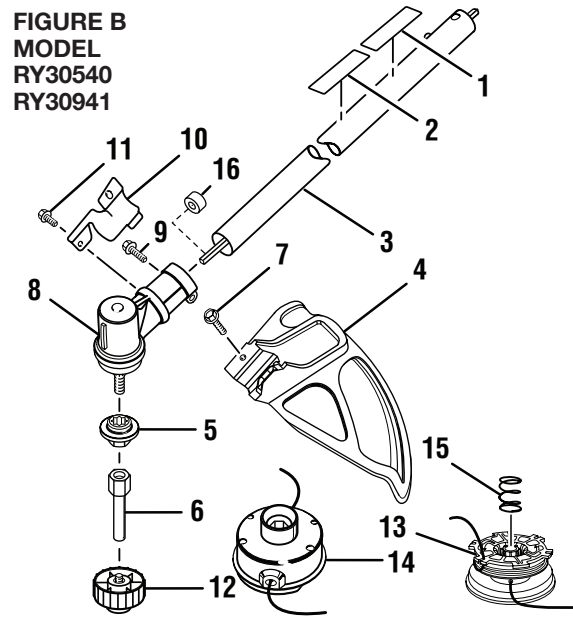
\* Purchase locally from retailer where unit was purchased.

**RYOBI 30cc STRING TRIMMERS AND BRUSHCUTTER**  
**MODEL NUMBERS – RY30520, RY30540, RY30560, RY30921, RY30941, RY30961**

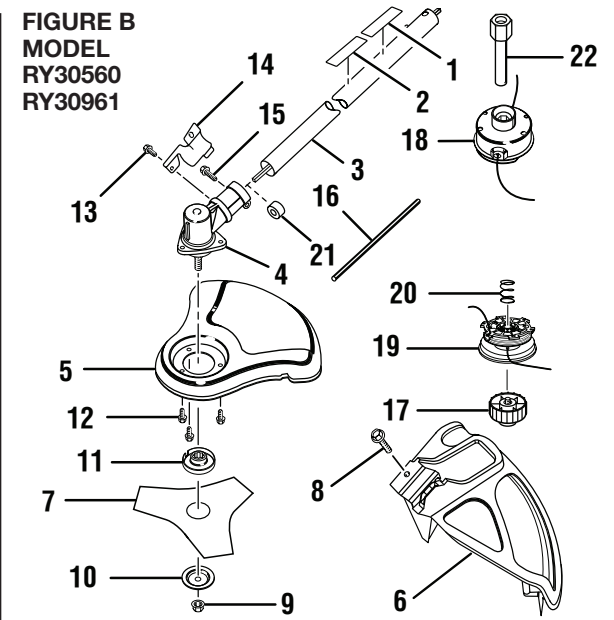
**FIGURE B**  
**MODEL**  
**RY30520**  
**RY30921**



**FIGURE B**  
**MODEL**  
**RY30540**  
**RY30941**



**FIGURE B**  
**MODEL**  
**RY30560**  
**RY30961**



Key No.	Service Number	Description	Qty.
1	940627024	Expand-it Label	1
2	940230132	Warning Decal	1
3	000998239	Curved Shaft Assembly	1
4	308052001	Grass Deflector	1
5	120650001	Fastener Kit	1
6	308042002	Spool Retainer (Black)	1
7	000998230	Complete String Head (.080 in.) (Inc. Key Nos. 6, 8, and 9)	1
8	308044002	Spool and String (.080 in.) w/Spring	1
9	678022001	Compression Spring	1

Key No.	Service Number	Description	Qty.
1	940627024	Expand-it Label	1
2	940230132	Warning Decal	1
3	000998240	Straight Shaft Assembly	1
4	308473001	Grass Deflector Assembly	1
5	678011002	Washer	1
6	678019002	Shaft Adapter	1
7	660886001	Screw (1/4-20 x 1-1/4 in.)	1
8	308053004	Gear Head	1
9	660642001	Screw (1/4-20 x 1-1/4 in.)	1
10	638125001	Clamp	1
11	660736001	Screw (10-24 x 5/8 in.)	1
12	308042003	Spool Retainer (Red)	1
13	308044003	Spool and String (.095 in.)	1
14	000998265	Complete String Head (.095 in.) (Inc. Key Nos. 12, 13, and 15)	1
15	678022001	Compression Spring	1
16	518367001	Spacer	1

Key No.	Service Number	Description	Qty.
1	940627024	Expand-it Label	1
2	940627027	Brushcutter Safety Label	1
3	000998241	Straight Shaft Assy.	1
4	308053001	Gear Head	1
5	638120001	Brushcutter Guard	1
6	308473001	Grass Deflector Assy.	1
7	638006004	Tri-Arc® Blade	1
8	660886001	Screw (1/4-20 x 1-1/4 in.)	1
9	678018001	Lock Nut	1
10	638017001	Cupped Washer	1
11	678011001	Flanged Washer	1
12	660737001	Screw (10-24 x 1/2 in.)	3
13	660736001	Screw (10-24 x 5/8 in.)	1
14	638125001	Clamp	1
15	660642001	Screw (1/4-20 x 1-1/4 in.)	1
16	678020001	Holding Pin	1
17	308042003	Spool Retainer (Red)	1
18	000998265	Complete String Head (.095 in.) (Inc. Key Nos. 17, 19, and 20)	1
19	308044003	Spool and String (.095 in.)	1
20	678022001	Compression Spring	1
21	518367001	Spacer	1
22	678019002	Shaft Adapter	1

\* Purchase locally from retailer where unit was purchased.