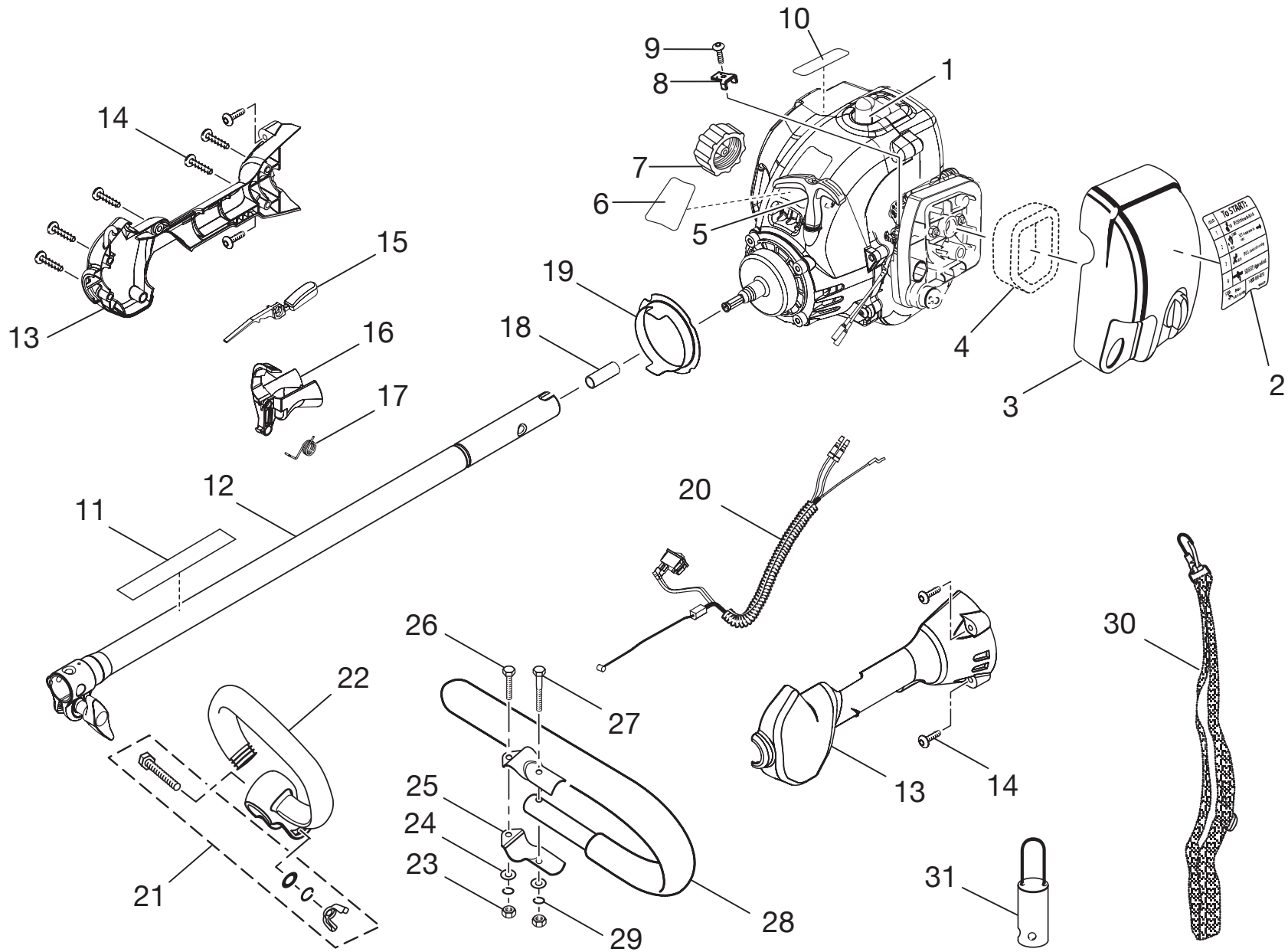


**RYOBI 30CC STRING TRIMMERS AND BRUSHCUTTERS MODEL NUMBERS  
RY30020, RY30023, RY30040, RY30043, RY30060, RY30063**



**RYOBI 30CC STRING TRIMMERS AND BRUSHCUTTERS MODEL NUMBERS  
RY30020, RY30023, RY30040, RY30043, RY30060, RY30063**

**FIGURE A PARTS LIST**

**POWER HEAD INFORMATION:**

Part Number 985414001 for models RY30020, RY30040, RY30060

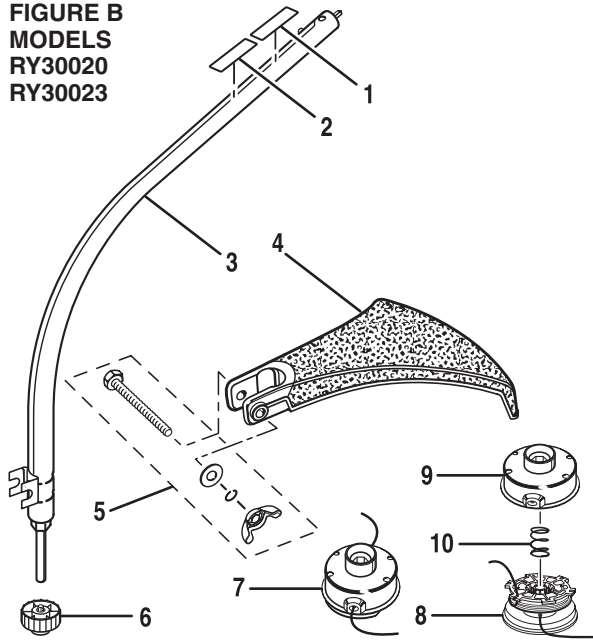
Part Number 985414002 for models RY30023, RY30043, RY30063

KEY NO.	SERVICE NUMBER	DESCRIPTION	QTY.	KEY NO.	SERVICE NUMBER	DESCRIPTION	QTY.
1	PS02227	Spark Plug . . . . .	1	16	PS06259	Trigger . . . . .	1
		(*Champion RCJ6Y or NGK BPMR7)		17	PS01718	Spring . . . . .	1
2	985426001	Starting/Primer Label . . . . .	1	18	PS00180	Sleeve . . . . .	1
3	985417001	Air Box Cover . . . . .	1	19	985251001	Ring Guard . . . . .	1
4	5687301	Air Filter . . . . .	1	20	985744001	Throttle Cable Assembly . . . . .	1
5	PS06114	Starter Grip . . . . .	1	21	PA00249	Fastener Kit (CS30 and SS30) . . . . .	1
6	985162001	Model Label (CS30) . . . . .	1	22	06542A	"D" Handle (CS30 and SS30) . . . . .	1
	985163001	Model Label (SS30) . . . . .	1	23	81242	Hex Nut (BC30) . . . . .	2
	985164001	Model Label (BC30) . . . . .	1	24	84004	Washer (BC30) . . . . .	2
7	985210001	Fuel Cap . . . . .	1	25	00422	Handle Bar Clamp (BC30) . . . . .	2
8	985411001	Throttle Cable Clip . . . . .	1	26	82496	Screw (BC30) . . . . .	1
9	983638009	Screw . . . . .	1	27	82278	Hex Head Bolt (BC30) . . . . .	1
10	985157001	Logo Plate . . . . .	1	28	A08130	"J" Handle and Grip (BC30) . . . . .	1
11	984032002	Warning Decal (CS30 and SS30) . . . . .	1	29	83009	Lock Washer (BC30) . . . . .	2
	984102002	Warning Decal (BC30) . . . . .	1	30	944701	Shoulder Strap (BC30) . . . . .	1
12	985383001	Boom Assembly (CS30 and SS30) . . . . .	1	31	PS02155	Hanger Cap . . . . .	1
	985384001	Boom Assembly, Upper (BC30) . . . . .	1		N/A	2-Cycle Oil (*AH99G01) 50:1 Synthetic Blend	
13	985382001	Handle Assembly . . . . .	1		983000451	Operator's Manual	
14	82589	Handle Screw . . . . .	9		983000452	Customer Sheet	
15	PS06258	Trigger Lock . . . . .	1		983000451R	Repair Sheet (REV:00)	

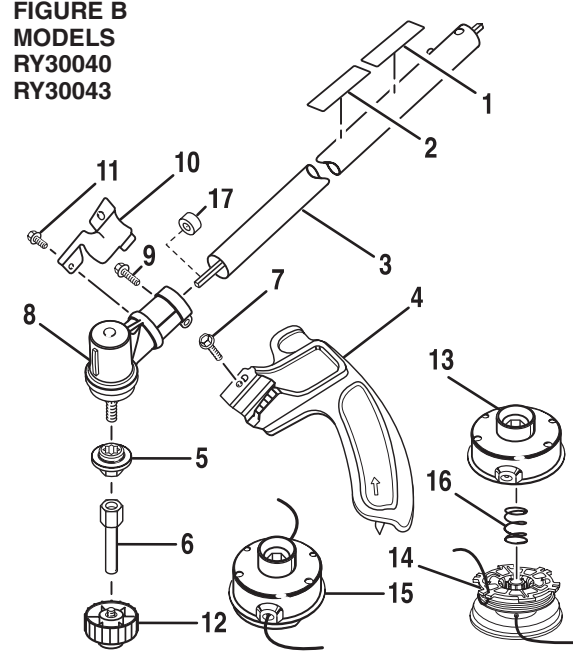
\* Purchase locally from retailer where unit was purchased.

**RYOBI 30CC STRING TRIMMERS AND BRUSHCUTTERS MODEL NUMBERS – RY30020, RY30023, RY30040, RY30043, RY30060, RY30063**

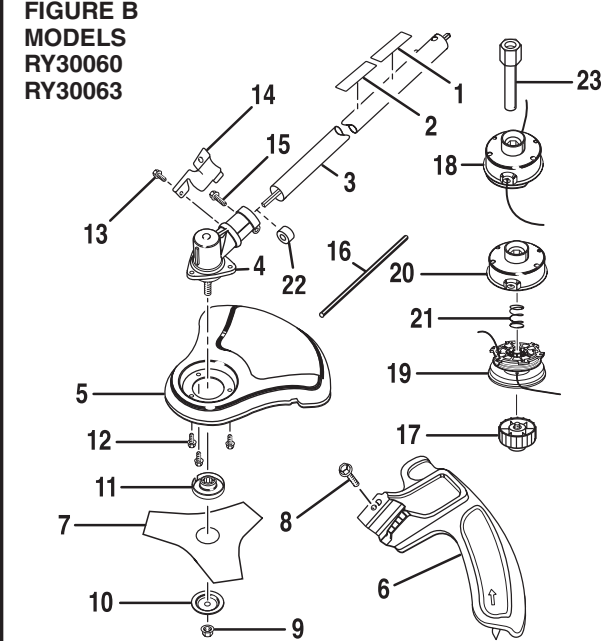
**FIGURE B  
MODELS  
RY30020  
RY30023**



**FIGURE B  
MODELS  
RY30040  
RY30043**



**FIGURE B  
MODELS  
RY30060  
RY30063**



Key No.	Service Number	*Retailer Number	Description	Qty.
1	985165001	N/A	Expand-it Label	1
2	984032002	N/A	Warning Decal	1
3	985569003	N/A	Curved Shaft Assembly	1
4	985623002	N/A	Grass Deflector	1
5	PA00249	N/A	Fastener Kit	1
6	N/A	AP04106	Spool Retainer (Black)	1
7	N/A	AP04114	Complete String Head (.080 in.)	1
8	AH04112	N/A	Spool and String (.080 in.) w/Spring	1
9	A98231A	N/A	Housing and Eyelet	1
10	06713	N/A	Spring	1

Key No.	Service Number	*Retailer Number	Description	Qty.
1	985165001	N/A	Expand-it Label	1
2	984032002	N/A	Warning Decal	1
3	983775003	N/A	Straight Shaft Assembly	1
4	984443004	N/A	Grass Deflector Assembly	1
5	984931001	N/A	Washer	1
6	PS04438	N/A	Shaft Adapter	1
7	983379078	N/A	Screw (1/4-20 x 1-1/4 in.)	1
8	984244001	N/A	Gear Head	1
9	983381007	N/A	Screw (1/4-20 x 1-1/4 in.)	1
10	PS04420	N/A	Clamp	1
11	983774003	N/A	Screw (10-24 x 5/8 in.)	1
12	AP04103	N/A	Spool Retainer (Red)	1
13	A98231A	N/A	Housing and Eyelet Head (.095 in.)	1
14	N/A	AH04113	Spool and String (.095 in.) w/Spring	1
15	N/A	AP04116	Complete String	1
16	06713	N/A	Spring	1
17	985625001	N/A	Spacer	1

Key No.	Service Number	*Retailer Number	Description	Qty.
1	985165001	N/A	Expand-it Label	1
2	984102002	N/A	Brushcutter Safety Label	1
3	983777003	N/A	Straight Shaft Assembly	1
4	PA01364	N/A	Gear Head	1
5	PS03538	N/A	Brushcutter Guard	1
6	984443004	N/A	Grass Deflector Assy.	1
7	06297	AP04105	Tri-Arc® Blade	1
8	983379078	N/A	Screw (1/4-2- x 1-1/4 in.)	1
9	04277	N/A	Lock Nut	1
10	04409	N/A	Cupped Washer	1
11	04168A	N/A	Flanged Washer	1
12	88049	N/A	Screw (10-24 x 1/2 in.)	3
13	983774003	N/A	Screw (10-24 x 5/8 in.)	1
14	PS04420	N/A	Clamp	1
15	983381007	N/A	Screw (1/4-20 x 1-1/4 in.)	1
16	00063	N/A	Holding Pin	1
17	AP04103	N/A	Spool Retainer (Red)	1
18	N/A	AP04116	Complete String Head (.095 in.)	1
19	N/A	AH04113	Spool and String (.095 in.) w/Spring	1
20	A98231A	N/A	Housing and Eyelet	1
21	06713	N/A	Spring	1
22	985625001	N/A	Spacer	1
23	PS04438	N/A	Shaft Adapter	1

\* Purchase locally from retailer where unit was purchased.