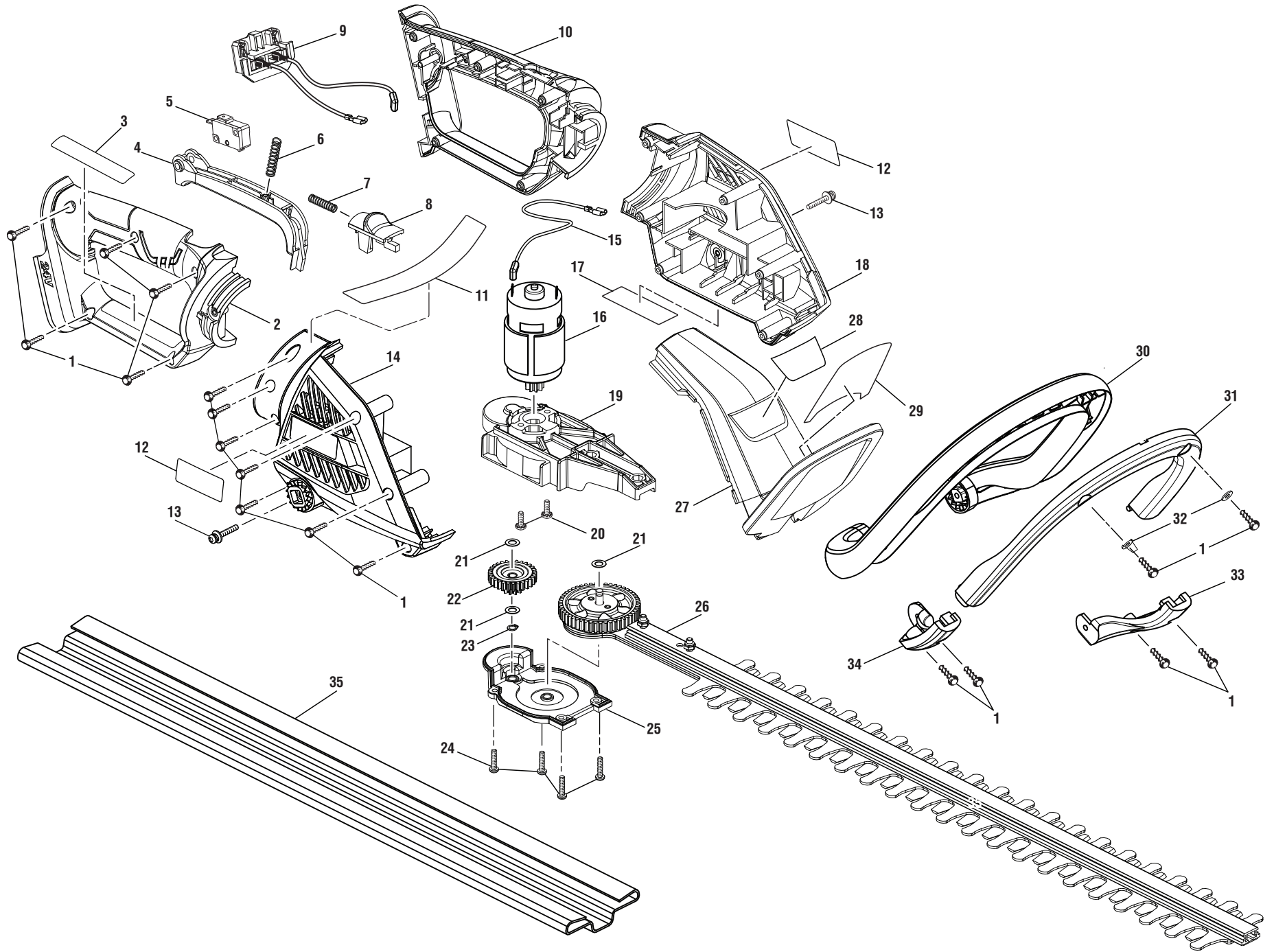


RYOBI 24 VOLT HEDGE TRIMMER – MODEL NUMBER RY24602



RYOBI 24 VOLT HEDGE TRIMMER – MODEL NUMBER RY24602

The model number will be found on a label attached to the motor housing. Always mention the model number in all correspondence regarding your **HEDGE TRIMMER** or when ordering repair parts.

PARTS LIST

KEY NO.	PART NUMBER	DESCRIPTION	QTY	KEY NO.	PART NUMBER	DESCRIPTION	QTY
1	661817001	Screw (M4 x 14 mm).....	18	24	660208052	Screw (M4 x 16 mm, Pan Hd.).....	4
2	311039001	Rear Handle (Right)	1	25	311066001	Gear Box Cover	1
3	940657092	Icon Label	1	26	311952001	Gear and Blade Assembly	1
4	525308001	Switch Trigger.....	1	27	525313001	Motor Cover Assembly	1
5	760689001	On/Off Switch	1	28	941765001	24V Lithium Label (Small)	1
6	673129001	Compression Spring (Trigger).....	1	29	940875003	Warning Label.....	1
7	673130001	Compression Spring (Button)	1	30	525311001	Front Handle Support	1
8	525309001	Lock Out Button	1	31	525312001	Front Handle Cover	1
9	291465001	Contact Plate Holder Assembly	1	32	690969001	Washer (OD10 x ID4.2 x 0.1t)	2
10	311038001	Rear Handle (Left).....	1	33	525385001	Rear Handle Cover (Left)	1
11	941766001	24V Lithium Label (Large)	1	34	525403001	Rear Handle Cover (Right)	1
12	940114178	Logo Label.....	2	35	525406001	Scabbard	1
13	660137010	Lock Washer (M4 x 28).....	2	36	311127001	Rear Handle Assembly	1
14	311068001	Motor Housing (Right)	1	37	311130001	Front Handle Assembly	1
15	770432115	Terminal Wire (340 mm, Black)	1	38	311129001	Motor, Gear Box and Blade Assembly	1
16	210306001	Motor and Pinion Assembly	1	39	311128001	Motor Housing Assembly	1
17	941588026	Data Label	1	Not Shown:			
18	311067001	Motor Housing (Left).....	1	130207001	Battery Pack		
19	311065001	Gear Box Base	1	140156002	Charger		
20	660137001	Screw (M4 x 12 mm).....	2	990000225	Operator's Manual		
21	670914001	Washer (OD11 x ID6.2 x 0.3t)	3	4-9-13			
22	610114001	Gear.....	1	(Rev:01)			
23	670704001	Retaining Ring (External)	1				