



**PRESSURE WASHER  
ITEM NO. RY142300  
MFG. NO. 090079330  
REPLACEMENT PARTS LIST**

**Techtronic Industries Power Equipment, Inc.**

1428 Pearman Dairy Road, Anderson, SC 29625

Phone 1-800-860-4050

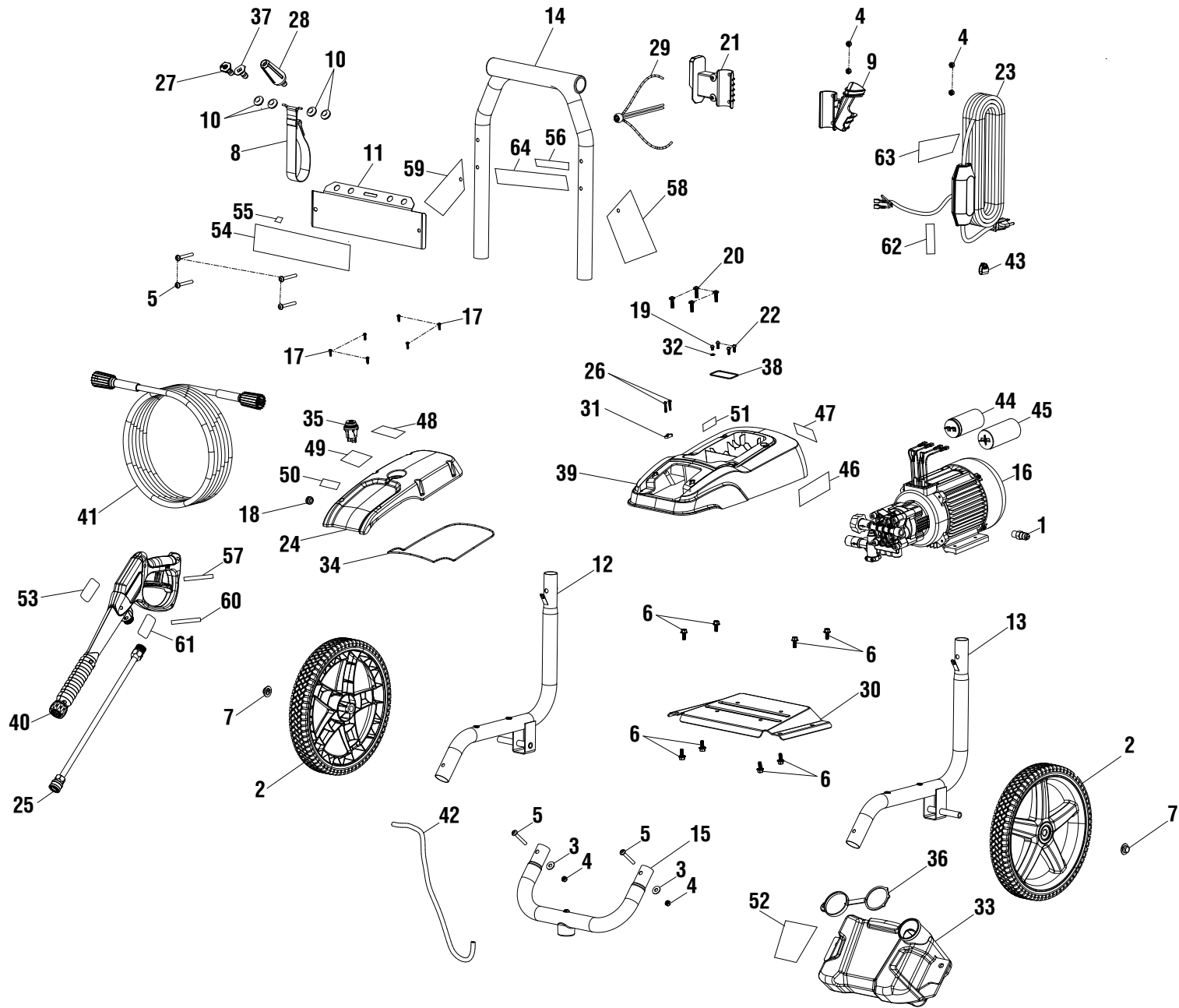
[www.ryobitools.com](http://www.ryobitools.com)

995000164

10-31-17 (Rev:01)

RYOBI ELECTRIC PRESSURE WASHER – ITEM NO. RY142300

FIGURE A



## RYOBI ELECTRIC PRESSURE WASHER – ITEM NO. RY142300

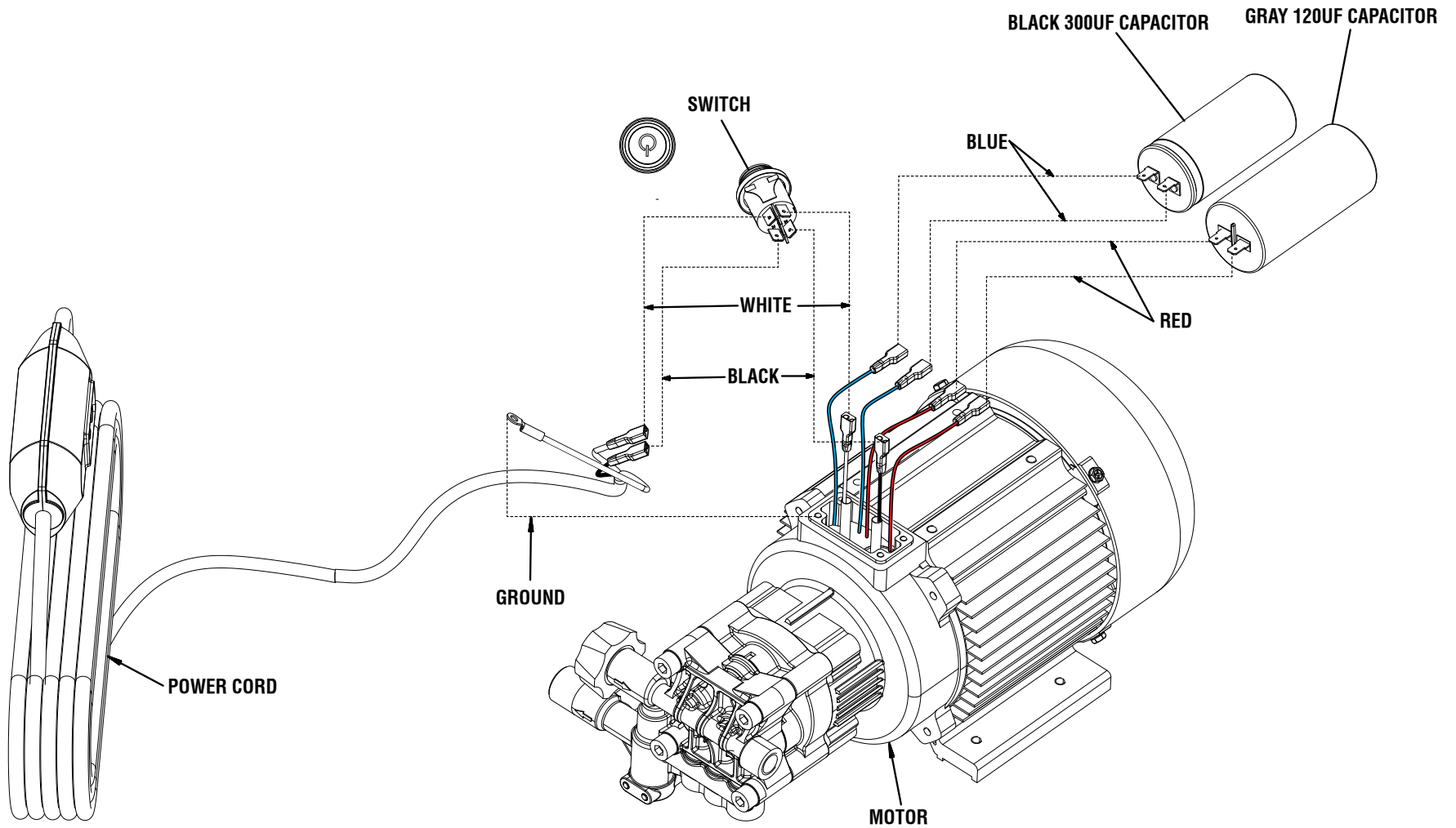
The model number will be found on a plate attached to pump housing. Always mention the model number in all correspondence regarding your **PRESSURE WASHER** or when ordering replacement parts.

### FIGURE A PARTS LIST

KEY NO.	PART NUMBER	DESCRIPTION	QTY	KEY NO.	PART NUMBER	DESCRIPTION	QTY
1	678169004	Thermal Release Valve.....	1	34	561383035	Rubber Gasket.....	1
2	308451067	Wheel.....	2	35	760504018	On/Off Switch.....	1
3	638128004	Washer (1/4 in.).....	2	36	310650004	Detergent Tank Cap.....	1
4	678610006	Lock Nut (M6).....	6	37	308706013	Soap Nozzle.....	1
5	661503015	Screw (M6 x 48 mm, Torx T30).....	6	38	570449004	Gasket.....	1
6	661505020	Bolt (M6 x 16 mm, Flange Hd.).....	8	39	522032032	Motor Shroud.....	1
7	679957001	Cap Nut.....	2	40	308760061	Trigger Handle.....	1
8	308350003	Hose Holder Strap.....	1	41	308835086	High Pressure Hose.....	1
9	519313009	Wand Holder.....	1	42	561399016	Injection Hose.....	1
10	561383004	Rubber Grommet.....	4	43	528499001	Cord Clip.....	1
11	638671017	Face Panel.....	1	44	820270012	Capacitor (CBB60 SH PO 250 VAC 120UF).....	1
12	310703012	Frame Assembly (Left).....	1	45	820270011	Capacitor (CD60 250 VAC 300UF).....	1
13	310704013	Frame Assembly (Right).....	1	46	940654336	Danger Label.....	1
14	308638068	Handle Assembly.....	1	47	940654337	Regulatory Danger Label.....	1
15	310742028	Frame Assembly (Front).....	1	48	940779209	Performance/Induction Label.....	1
16	<b>NOTE A</b>	Motor and Pump Assembly.....	1	49	940617190	Brushless Label.....	1
17	661403016	Screw (M4.2 x 15 mm).....	6	50	940304497	Logo Label.....	1
18	561383028	Grommet.....	1	51	940617192	Start Label.....	1
19	660481028	Bolt (M4 x 6 mm, Pan Hd.).....	1	52	940608037	Detergent Tank Label.....	1
20	660481019	Bolt (M6 x 20 mm, Phillips Hd.).....	4	53	940705385	Trigger Handle Logo Label.....	1
21	522037004	Cord Holder.....	1	54	940779208	Performance Label.....	1
22	660481027	Bolt (M4 x 12 mm, Pan Hd.).....	3	55	940378017	Nozzle Storage Label.....	1
23	290426027	Power Cord.....	1	56	941486008	Inquiries Label.....	1
24	522038029	Switch Cover.....	1	57	940654228	Trigger Handle Warning Label (French/Spanish).....	1
25	308494074	Spray Wand Assembly.....	1	58	961039007	Nozzle Hangtag.....	1
26	661610008	Screw (M3.5 x 20 mm).....	2	59	940473008	Danger Hangtag (Spanish).....	1
27	308698035	15° Nozzle.....	1	60	940786020	Rating Label.....	1
28	308311014	Turbo Nozzle.....	1	61	940654083	Trigger Handle Warning Label (English).....	1
29	308350004	Power Cord Strap.....	1	62	940603006	GFCI Plug Label.....	1
30	638662044	Motor Plate.....	1	63	940324032	Cord Wrap Label.....	1
31	522051003	Cord Clamp.....	1	64	940617191	Quick Start Label.....	1
32	638454005	Washer (M4).....	1				
33	580875014	Detergent Tank.....	1				
					<b>Not Shown:</b>		
					995000162	Operator's Manual (960087182)	

**NOTE A:** Techtronic Industries Power Equipment, Inc. will not provide a complete motor/pump as a replacement part. Contact our service department for assistance.

RYOBI ELECTRIC PRESSURE WASHER – ITEM NO. RY142300



WIRING DIAGRAM