

RYOBI
Pressure Washer
Item No. RY141900
Manufacturing No. 090079281 & 090079325
Replacement Parts List

Techtronic Industries Power Equipment, Inc.

P.O. Box 1288, Anderson, SC 29622

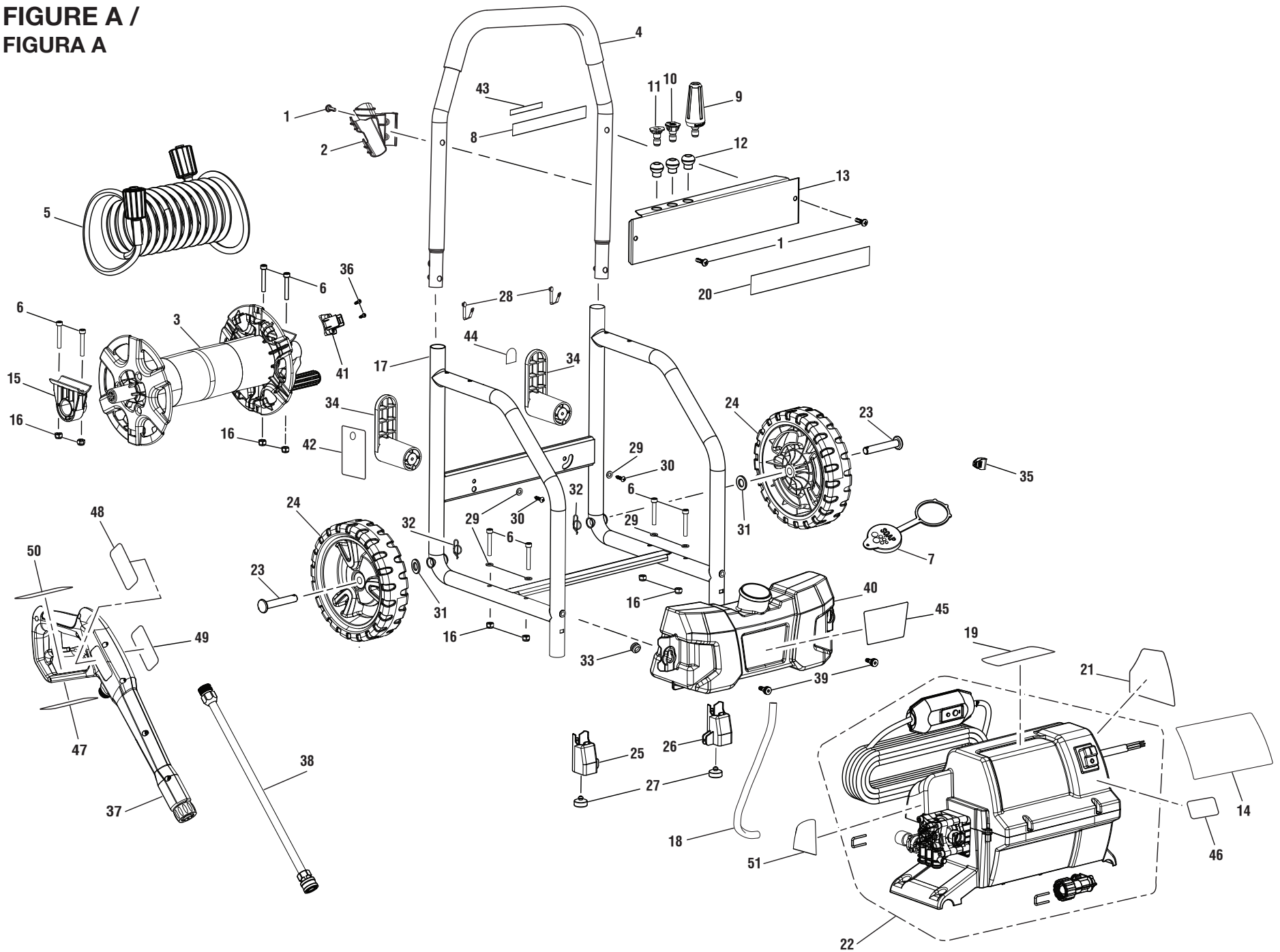
Phone 1-800-860-4050

www.ryobitools.com

991000844
5-21-19 (Rev:05)

RYOBI ELECTRIC PRESSURE WASHER – ITEM NO. RY141900

FIGURE A /
FIGURA A



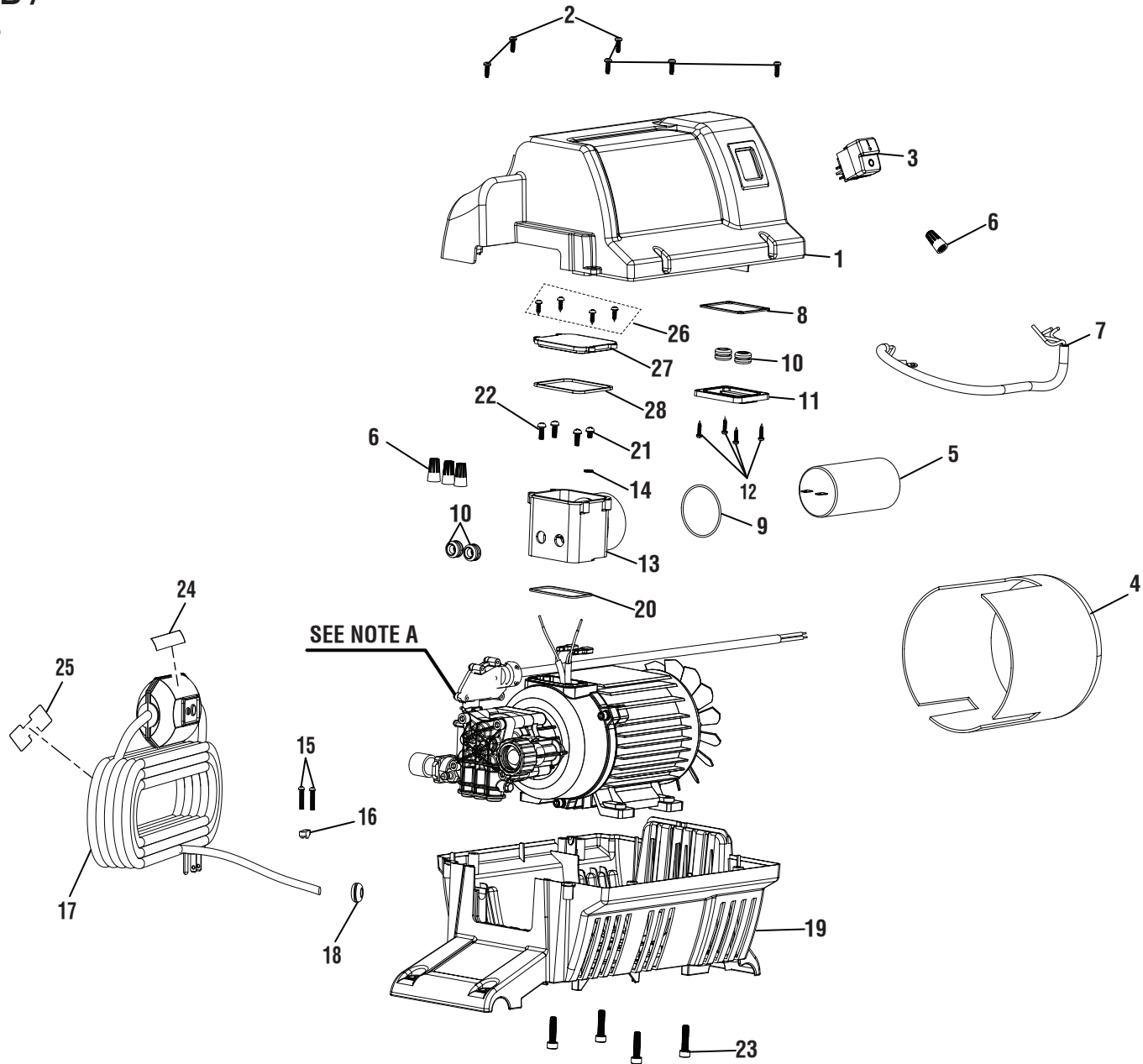
RYOBI ELECTRIC PRESSURE WASHER – ITEM NO. RY141900

The model number will be found on a label attached to pump housing. Always mention the model number in all correspondence regarding your **PRESSURE WASHER** or when ordering replacement parts.

FIGURE A PARTS LIST

KEY NO.	PART NUMBER	DESCRIPTION	QTY	KEY NO.	PART NUMBER	DESCRIPTION	QTY
1	660481019	Bolt (M6 x 20 mm)	3	27	570554017	Foot Pad	2
2	519313010	Trigger Handle Holder	1	28	961039007	Nozzle Hangtag	1
3	309008004	Hose Reel Assembly	1	29	678600010	Washer (M6)	10
4	310224071	Handle Assembly (Inc. Key No. 28)	1	30	661403019	Screw (M4.8 x 19 mm, Round Hd. S.T.)	2
5	308835065	High Pressure Hose	1	31	678889003	Washer (ID12.5 x OD24 x 2t)	2
6	660481015	Bolt (M6 x 40 mm)	8	32	678899006	Axle Ring Clip	2
7	310650004	Detergent Tank Cap	1	33	561383028	Soap Tank Grommet	1
8	940617146	Quick Start Label	1	34	522037003	Cord Wrap Arm	2
9	308311014	Turbo Nozzle	1	35	528499001	Cord Clamp	1
10	308706013	Soap Nozzle	1	36	941002168	Pump Label	1
11	308698032	15° Nozzle	1	37	308760060	Trigger Handle	1
12	561383029	Nozzle Grommet	3	38	308494074	Spray Wand	1
13	678973008	Performance Panel	1	39	660481022	Shoulder Bolt (M6 x 17 mm)	2
14	940705265	Logo Label	1	40	580875016	Detergent Tank	1
15	522941003	Hose Reel Bracket	1	41	529062001	Hose Clip	2
16	678460001	Lock Nut (M6)	8	42	940473023	Warning Hangtag	1
17	308582061	Main Frame	1	43	941486008	Inquires Label	1
18	561399014	Injection Hose	1	44	941076001	Cord Unlock Label	1
19	940786041	Nozzle Select Label	1	45	941608007	Detergent Tank Label	1
20	940779142	Performance Label	1	46	940734079	On/Off Switch Label	1
21	940707039	Danger Label	1	47	940904003	Trigger Handle Rating Label	1
22	See Figure B	Pump Housing Assembly	1	48	940786043	Trigger Handle Logo Label	1
23	620599029	Wheel Axle	2	49	940324033	Trigger Handle Warning Label (English)	1
24	308451062	Wheel	2	50	940324024	Trigger Handle Warning Label (French/Spanish)	1
25	523406004	Foot (Left)	1	51	661403021	Screw (M4 x 25.4 mm, Flat Hd. S.T.)	4
26	523406005	Foot (Right)	1		Not Shown:		
					991000317	Operator's Manual	

FIGURE B /
FIGURA B



RYOBI ELECTRIC PRESSURE WASHER – ITEM NO. RY141900

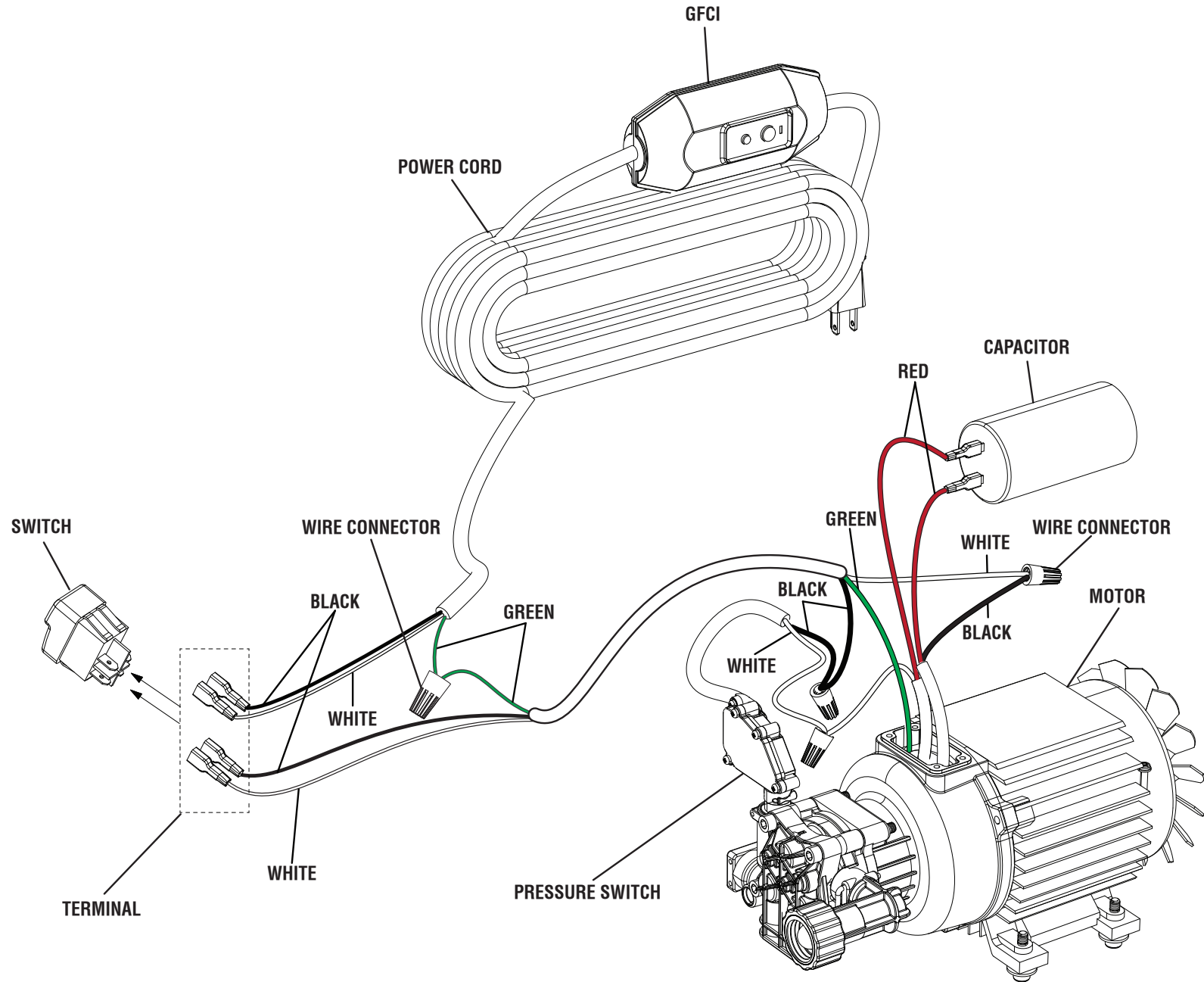
The model number will be found on a label attached to pump housing. Always mention the model number in all correspondence regarding your **PRESSURE WASHER** or when ordering replacement parts.

FIGURE B PARTS LIST

KEY NO.	PART NUMBER	DESCRIPTION	QTY
1	522032010	Top Motor Housing	1
2	661403016	Screw (M4 x 15 mm)	6
3	760504007	Switch	1
4	527405002	Air Shroud	1
5	820270006	Capacitor	1
6	870601001	Wire Nut	4
7	290606004	Connecting Wire	1
8	570740016	Switch Cover Gasket	1
9	570742116	O-ring (Capacitor)	1
10	561383028	Grommet	4
11	570417004	Switch Cover	1
12	661403015	Screw (M3 x 14 mm)	4
13	524077003	Wire Box	1
14	638454005	Toothed Lock Washer	1
15	661610008	Screw (M3.5 x 20 mm)	2
16	522051003	Cord Clamp	1
17	290426020	Power Cord	1
18	561383025	Grommet	1
19	522038010	Lower Motor Housing	1
20	570449004	Wire Box Gasket (Lower)	1
21	660481028	Bolt (M4 x 6 mm, Pan Hd.)	1
22	660481027	Bolt (M4 x 12 mm, Pan Hd.)	3
23	661505038	Bolt (M6 x 20 mm, Hex Hd. Locking)	4
24	940603006	Cord Plug Label	1
25	940324032	Cord Wrap Label	1
26	661403020	Screw (ST 3.5)	4
27	524078003	Wire Box Cover	1
28	570449003	Wire Box Gasket (Upper)	1

NOTE A: Techtronic Industries Power Equipment, Inc. will not provide a complete motor/pump as a replacement part. Contact our service department for assistance.

RYOBI ELECTRIC PRESSURE WASHER – ITEM NO. RY141900



WIRING DIAGRAM