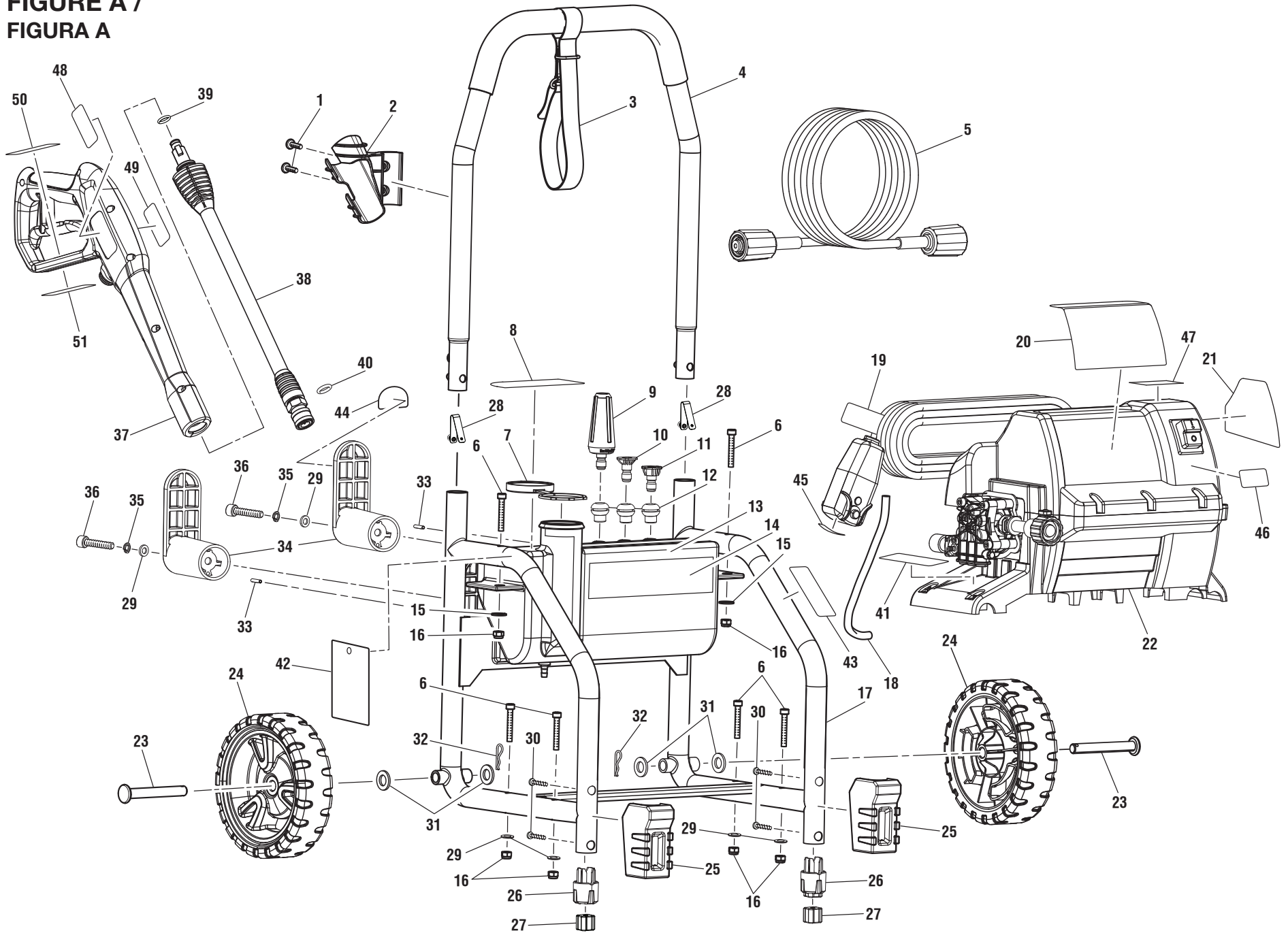


FIGURE A /
FIGURA A



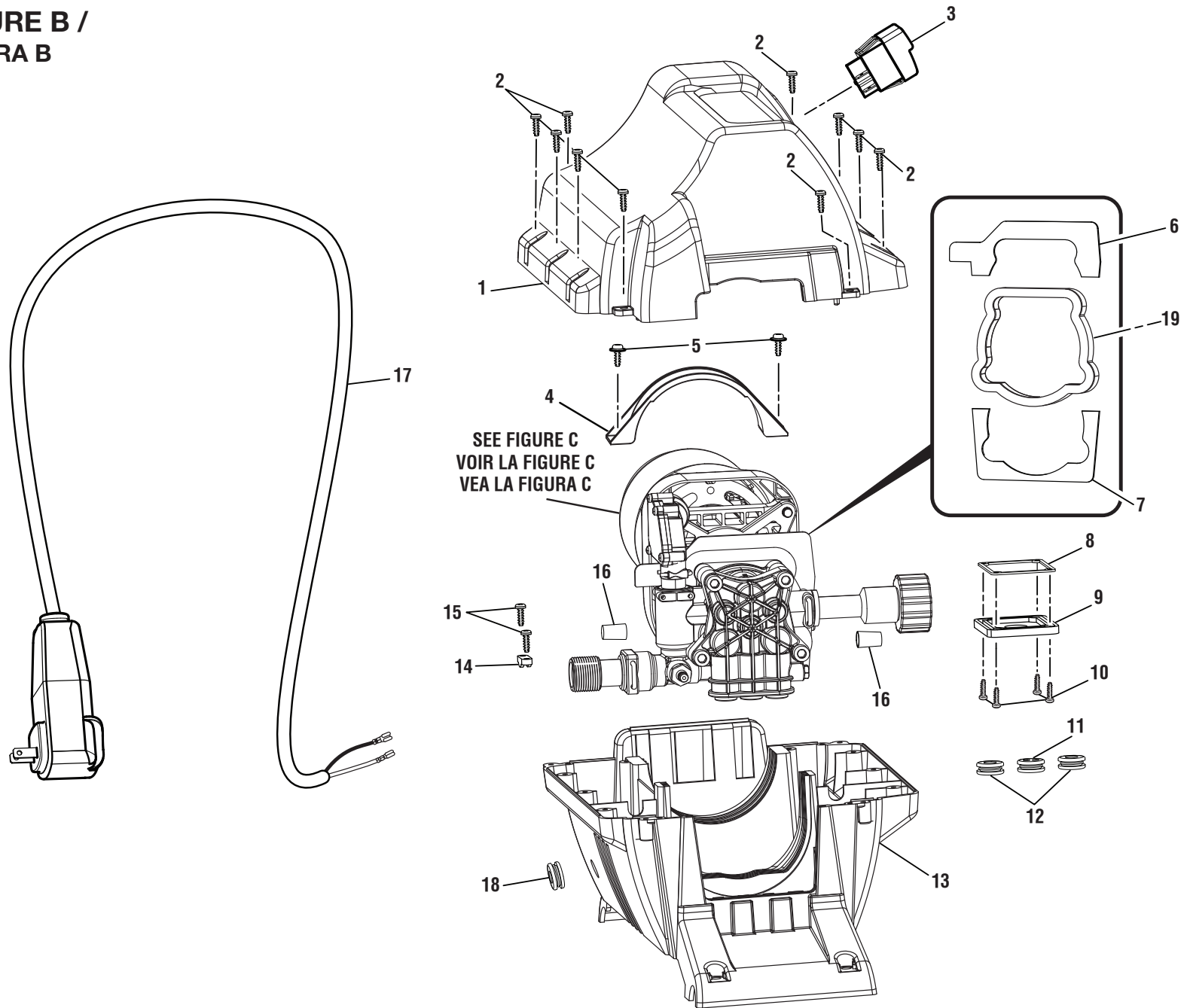
RYOBI PRESSURE WASHER – MODEL NO. RY14122

The model number will be found on a plate attached to pump housing. Always mention the model number in all correspondence regarding your **PRESSURE WASHER** or when ordering replacement parts.

FIGURE A PARTS LIST

KEY NO.	PART NUMBER	DESCRIPTION	QTY.	KEY NO.	PART NUMBER	DESCRIPTION	QTY.
1	660481019	Bolt (M6 x 20 mm)	2	28	308421002	Spring Clip w/Button	2
2	519313010	Trigger Handle Holder	1	29	678600010	Washer (M6)	6
3	310801004	Hose Storage Strap	1	30	661610008	Screw (M3.5 x 20 mm)	4
4	310224052	Handle Assembly	1	31	678889003	Washer (2 in.)	4
5	308835065	High Pressure Hose	1	32	678238002	Hitch Pin	2
6	660481015	Screw (M6 x 40 mm)	6	33	678503005	Pin (M3 x 25 mm)	2
7	310650007	Detergent Tank Cap	1	34	522037002	Cord Wrap Arm	2
8	940617119	Quick Start Label	1	35	670960006	Lock Washer (M6)	2
9	308311014	Turbo Nozzle	1	36	661554004	Bolt (M6 x 25 mm)	2
10	308706013	Soap Nozzle	1	37	308760040	Trigger Handle	1
11	308698028	15° Nozzle	1	38	308494065	Spray Wand (Inc. Key Nos. 39-40)	1
12	561383021	Nozzle Grommet	3	39	570768008	O-Ring (Large)	1
13	310658010	Detergent Tank Assembly	1	40	570768007	O-Ring (Small)	1
14	940705191	Ryobi Logo Label	1	41	941531053	Data Label	1
15	638128018	Washer (M6)	2	42	940473007	Warning Hangtag	1
16	678460001	Lock Nut (M6)	6	43	941486008	Inquires Label	1
17	308582050	Main Frame	1	44	941076001	Cord Unlock Label	1
18	561399009	Injection Hose	1	45	940603006	Cord Plug Label	1
19	940324013	Cord Wrap Label	1	46	940734079	On/Off Switch Label	1
20	940779098	Performance Label	1	47	941608005	Soap Dilution Label	1
21	940707084	Danger Label	1	48	940786027	Trigger Handle Label	1
22	See Figure B	Pump Housing Assembly	1	49	940324030	Trigger Handle Warning Label (English)	1
23	620599018	Wheel Axle	2	50	940324024	Trigger Handle Warning Label (French/Spanish)	1
24	308451020	Wheel	2	51	940904003	Trigger Handle Rating Label	1
25	510355004	Foot Cover	2	Not Shown:			
26	308909009	Foot (Inc. Key No. 27)	2		990000369	Operator's Manual	1
27	570554008	Foot Pad	2		990000378	Quick Reference Guide	1

FIGURE B /
FIGURA B



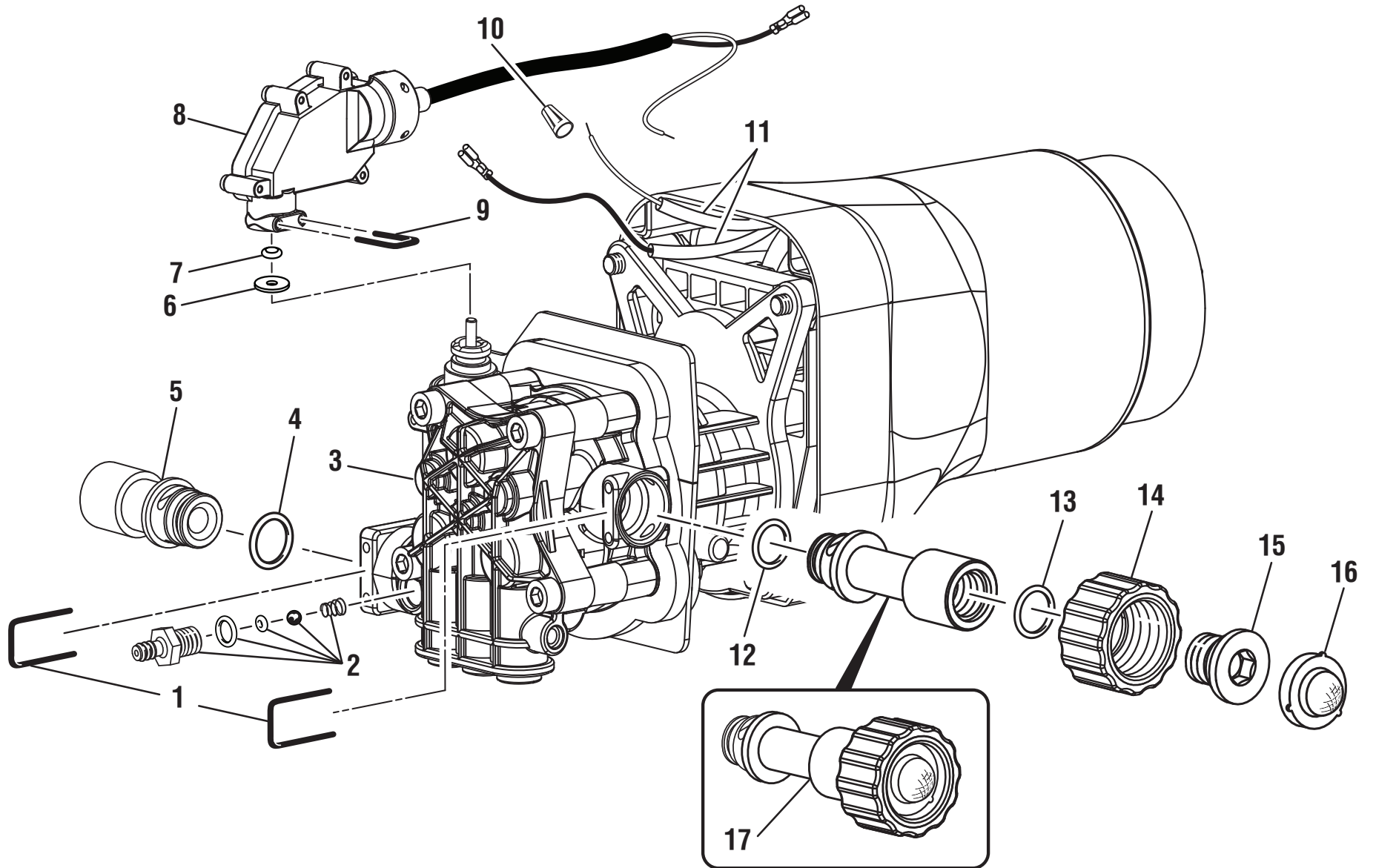
RYOBI PRESSURE WASHER – MODEL NO. RY14122

The model number will be found on a plate attached to pump housing. Always mention the model number in all correspondence regarding your **PRESSURE WASHER** or when ordering replacement parts.

FIGURE B PARTS LIST

KEY NO.	PART NUMBER	DESCRIPTION	QTY.	KEY NO.	PART NUMBER	DESCRIPTION	QTY.
1	522032004	Top Motor Housing	1	11	561383024	Grommet	1
2	661403016	Screw (M4 x 15 mm)	10	12	561383012	Grommet	2
3	760504007	Switch	1	13	522038004	Lower Motor Housing	1
4	525893001	Motor Bracket	1	14	522051003	Cord Clamp	1
5	661403014	Screw (M4 x 12 mm)	2	15	661610008	Screw (M3.5 x 20 mm)	2
6	525894002	Upper Gasket	1	16	570570002	Bushing	2
7	525894001	Lower Gasket	1	17	290426012	Power Cord	1
8	570740016	Switch Cover Gasket	1	18	561383025	Grommet	1
9	570417002	Switch Cover	1	19	980414010	Foam Pad	1
10	661403015	Screw (M3 x 14 mm)	4				

FIGURE C /
FIGURA C



RYOBI PRESSURE WASHER – MODEL NO. RY14122

The model number will be found on a plate attached to pump housing. Always mention the model number in all correspondence regarding your **PRESSURE WASHER** or when ordering replacement parts.

FIGURE C PARTS LIST

KEY NO.	PART NUMBER	DESCRIPTION	QTY.	KEY NO.	PART NUMBER	DESCRIPTION	QTY.
1	678799013	“U” Clip	2	10	870601001	Wire Nut	1
2	310868001	Detergent Nipple Assembly	1	11	570113003	Sleeve	2
3	308833014	Motor and Pump Assembly	1	12	563194001	O-Ring.....	1
4	563193001	O-Ring.....	1	13	570768004	O-Ring.....	1
5	308862005	Outlet Tube Assembly (Inc. Key No. 4).....	1	14	310423002	Water Inlet Connector	1
6	638397003	Washer (Brass).....	1	15	310422002	Water Inlet Screw Nut	1
7	570742071	O-Ring.....	1	16	308103009	Water Inlet Filter	1
8	310870002	Pressure Switch	1	17	308861005	Inlet Tube Assembly (Inc. Key Nos. 12-16)	1
9	678799014	“U” Clip	1				