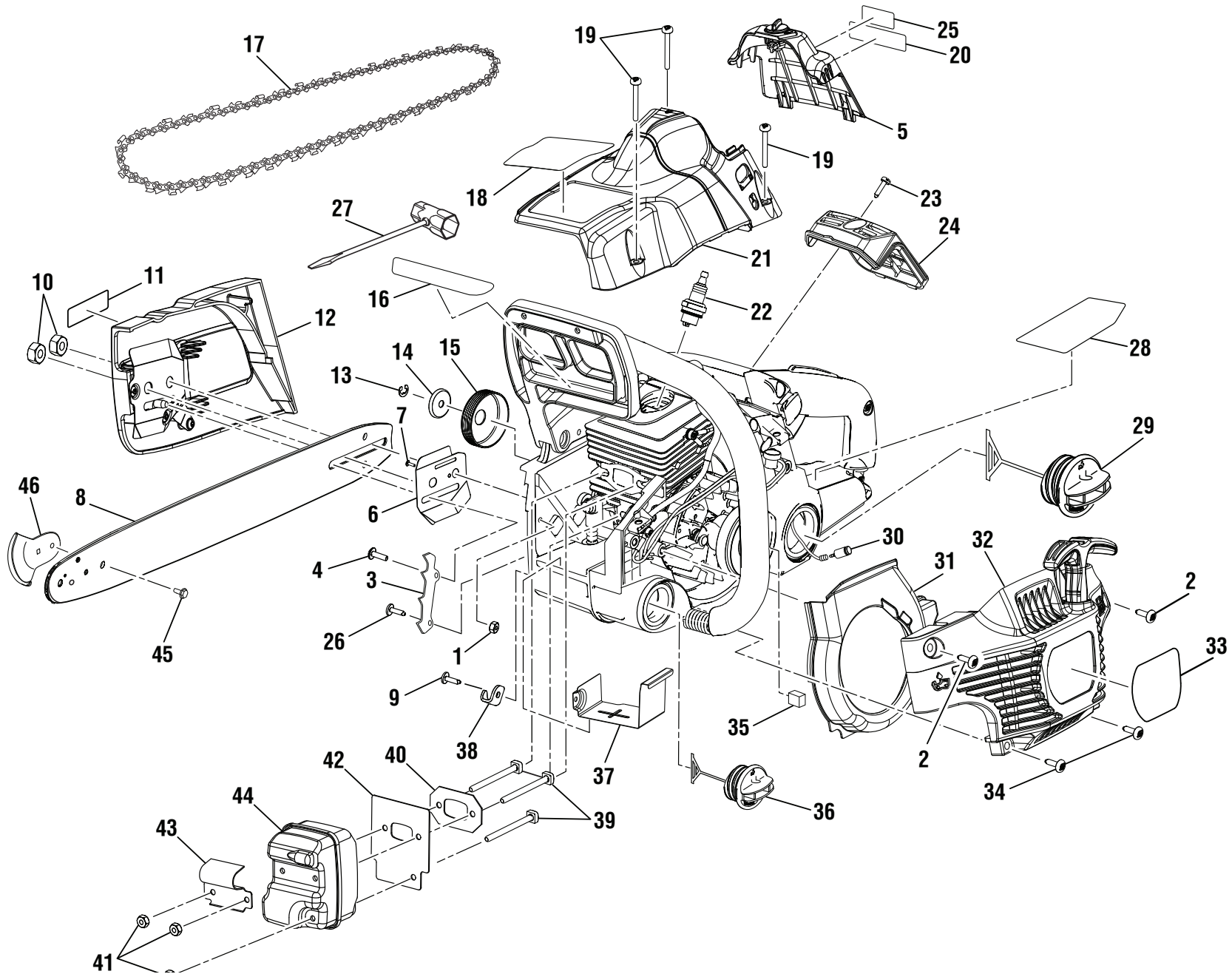


RYOBI CHAIN SAW – MODEL NUMBERS RY10519, RY10521, RY10519A & RY10521A



RYOBI CHAIN SAW – MODEL NUMBERS RY10519, RY10521, RY10519A & RY10521A

The model number will be found on a label attached to the motor housing. Always mention the model number in all correspondence regarding your **CHAIN SAW** or when ordering repair parts.

PARTS LIST

| KEY NO. | PART NUMBER | DESCRIPTION | QTY | KEY NO. | PART NUMBER | DESCRIPTION | QTY |
|---------|-------------|---|-----|---------------------|--|--|-----|
| 1 | 678027002 | Lock Nut (10-24) | 1 | 26 | 660621001 | Screw (10-14 x 1/2 in., T.F.)..... | 1 |
| 2 | 660632001 | Screw (10-14 x 5/8 in., Torx Pan Hd.) | 2 | 27 | 631055005 | Combination Wrench | 1 |
| 3 | 631039001 | Spike Bar..... | 1 | 28 | 940734085 | Starting Instruction Label..... | 1 |
| 4 | 660625001 | Screw (10-24 x 5/8 in., Torx Pan Hd.) | 1 | 29 | 300948005 | Fuel Cap Assembly | 1 |
| 5 | 310995001 | Filter Cover..... | 1 | 30 | 310976001 | Fuel Filter..... | 1 |
| 6 | 631036001 | Inner Guide Plate | 1 | 31 | 518055002 | Fan Housing Baffle..... | 1 |
| 7 | T660619001 | Screw (6-19 x 1/2 in., T.F.)..... | 1 | 32 | 308067008 | Starter Cover Assembly | 1 |
| 8 | 310628003 | 18 in. Guide Bar w/SAFE-T-TIP (Inc. Key Nos. 45-46, Model RY10519 & RY10519A) | 1 | 33 | 940968017 | C4618 Label (Model RY10519 & RY10519A) | 1 |
| | 310629003 | 20 in. Guide Bar w/SAFE-T-TIP (Inc. Key Nos. 45-46, Model RY10521 & RY10521A) | 1 | 34 | 660637001 | Screw (10-14 x 7/8 in., Torx Truss Hd.)..... | 2 |
| 9 | 660614001 | Screw (10-14 x 1/2 in., Torx Truss Hd. T.F.)..... | 1 | 35 | 900844001 | Prefilter | 1 |
| 10 | 678339003 | Guide Bar Nut (5/16-18)..... | 2 | 36 | 300949004 | Oil Cap Assembly..... | 1 |
| 11 | 940635069 | Logo Label | 1 | 37 | 638455002 | Heat Shield..... | 1 |
| 12 | 300957019 | Chain Cover Assembly..... | 1 | 38 | 631035003 | Chain Catcher | 1 |
| 13 | 671103001 | E-Ring | 1 | 39 | 660626002 | Bolt (Square Hd.)..... | 3 |
| 14 | 631060001 | Cupped Washer | 1 | 40 | 900848003 | Muffler Gasket..... | 1 |
| 15 | 300958002 | Sprocket Drum and Bearing Assembly (.325 chain)..... | 1 | 41 | 671079001 | Lock Nut (10-32) | 3 |
| 16 | 941511001 | Chain Brake Label..... | 1 | 42 | 900888002 | Muffler Plate | 1 |
| 17 | 901430001 | Chain (.325 x 72 link, 18 in., Model RY10519 & RY10519A) | 1 | 43 | 638513005 | Muffler Deflector..... | 1 |
| | 900920027 | Chain (.325 x 78 link, 20 in., Model RY10521 & RY10521A) | 1 | 44 | 309310006 | Muffler Assembly (Includes Key Nos. 42-44) | 1 |
| 18 | 940637013 | Warning Label (Model RY10519 & RY10519A) .. | 1 | 45 | 660640001 | Screw w/Washer (8-32 x 7/16 in., Hex Hd.)..... | 1 |
| | 940637012 | Warning Label (Model RY10521 & RY10521A) .. | 1 | 46 | 308944001 | SAFE-T-TIP..... | 1 |
| 19 | 660636001 | Screw (10-16 x 1-1/2 in. Special)..... | 3 | Not Shown: | | | |
| 20 | 940654088 | Combustion Label..... | 1 | 518061012 | 18 in. Scabbard (Model RY10519 & RY10519A) | 1 | |
| 21 | 518042022 | Top Cover..... | 1 | 518061013 | 20 in. Scabbard (Model RY10521 & RY10521A) | 1 | |
| 22 | 870174001 | Spark Plug (Champion RCJ6Y)..... | 1 | 308280003 | Carrying Case (Scabbard Not Included) | 1 | |
| 23 | 660617001 | Screw (8-16 x 5/8 in., Torx T.F.)..... | 1 | 988000565 | Operator's Manual (RY10519 & RY10521) | 1 | |
| 24 | 518049001 | Air Filter | 1 | 990000019 | Operator's Manual (RY10519A & RY10521A, 2012) | 1 | |
| 25 | 940487006 | Phone Number Label | 1 | 990000486 | Operator's Manual (RY10519A & RY10521A, 2013) | 1 | |
| | | | | 2-13-13 (REV:04) | | | |

RYOBI CHAIN SAW – MODEL NUMBERS RY10519, RY10521, RY10519A & RY10521A

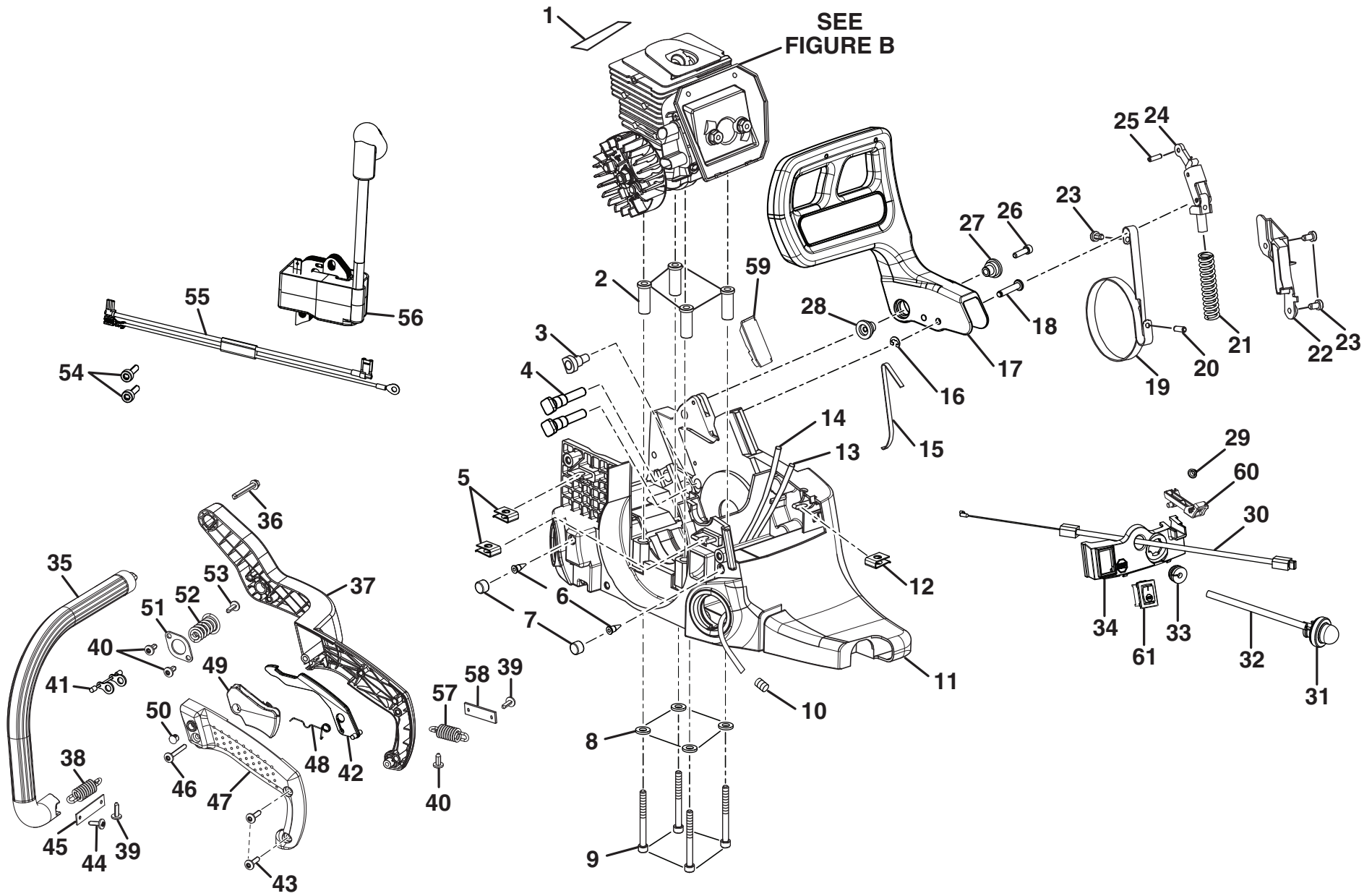


Figure A

RYOBI CHAIN SAW – MODEL NUMBERS RY10519, RY10521, RY10519A & RY10521A

The model number will be found on a label attached to the motor housing. Always mention the model number in all correspondence regarding your **CHAIN SAW** or when ordering repair parts.

PARTS LIST (FIGURE A)

| KEY NO. | PART NUMBER | DESCRIPTION | QTY | KEY NO. | PART NUMBER | DESCRIPTION | QTY |
|---------|-------------|---------------------------------|-----|---------|-------------|---------------------------------------|-----|
| 1 | 901421003 | Heat Reflector Tape..... | 1 | 32 | 570259051 | Rubber Tubing (64 mm) | 1 |
| 2 | 671087001 | Spacer Insert | 4 | 33 | 570227001 | Split Grommet | 1 |
| 3 | 570226001 | Oil Outlet Grommet | 1 | 34 | 518044004 | Control Panel | 1 |
| 4 | 660628001 | Guide Bar Bolt..... | 2 | 35 | 511724005 | Front Handle..... | 1 |
| 5 | 671077001 | Speed Nut ("U"-type) | 2 | 36 | 660631001 | Screw (12-14 x 1-1/2 in.)..... | 1 |
| 6 | 560955001 | Duck Bill Valve..... | 2 | 37 | 511721008 | Rear Handle..... | 1 |
| 7 | 671088001 | Element | 2 | 38 | 671101005 | Spring | 1 |
| 8 | 671080001 | Washer | 4 | 39 | 660632001 | Screw (10-14 x 5/8 in., T.F.) | 2 |
| 9 | 660622001 | Screw (10-24 x 2 in.)..... | 4 | 40 | 660618001 | Screw (10-14 x 1/2 in., T.F.) | 3 |
| 10 | 690765001 | Hose Clamp..... | 1 | 41 | 308776005 | Limiter (Upper Isolator Spring) | 1 |
| 11 | 300951016 | Chassis..... | 1 | 42 | 518051007 | Trigger Release | 1 |
| 12 | 671077002 | Speed Nut ("U"-type) | 1 | 43 | 660629001 | Screw (10-14 x 3/4 in., T.F.) | 2 |
| 13 | 562967005 | Inlet Tubing (166 mm)..... | 1 | 44 | 660719001 | Screw (10-14 x 5/8 in., T.F.) | 1 |
| 14 | 570259046 | Return Tubing (220 mm)..... | 1 | 45 | 631050003 | Spring Retainer..... | 1 |
| 15 | 638024001 | Spring..... | 1 | 46 | 660633001 | Screw (10-14 x 1-3/8 in.)..... | 1 |
| 16 | 671075001 | Retaining Ring..... | 1 | 47 | 511722009 | Handle Cover | 1 |
| 17 | 300985007 | Hand Guard..... | 1 | 48 | 678037001 | Torsion Spring | 1 |
| 18 | 620282001 | Hand Guard Actuating Pin | 1 | 49 | 518052003 | Trigger..... | 1 |
| 19 | 631063002 | Brake Band..... | 1 | 50 | 518050003 | Plug | 1 |
| 20 | 671095001 | Spring Pin..... | 1 | 51 | 631051001 | Isolator Plate | 1 |
| 21 | 678113001 | Spring..... | 1 | 52 | 671098003 | Isolator Spring..... | 1 |
| 22 | 511720002 | Chain Brake Cover | 1 | 53 | 660630001 | Screw (10-24 x 5/8 in., T.F.) | 1 |
| 23 | 660634001 | Screw (8-16 x 5/16 in.) | 3 | 54 | 660639001 | Screw (8-32 x 3/4 in., T.F.) | 2 |
| 24 | 300954001 | Chain Brake Link Assembly | 1 | 55 | 290298002 | Ignition Switch Assembly | 1 |
| 25 | 671099001 | Spring Pin (Small) | 1 | 56 | 309261003 | Ignition Kit | 1 |
| 26 | 660635001 | Screw (8-32 x 5/8 in.) | 1 | 57 | 671101006 | Spring | 1 |
| 27 | 671096001 | Pivot (Right Hand) | 1 | 58 | 631050004 | Spring Retainer..... | 1 |
| 28 | 671097001 | Pivot (Left Hand)..... | 1 | 59 | 631370001 | Baffle | 1 |
| 29 | 631034002 | Hair Pin | 1 | 60 | 511709007 | Choke Lever | 1 |
| 30 | 900885001 | Throttle Cable..... | 1 | 61 | 760338002 | Stop Switch..... | 1 |
| 31 | 308088003 | Primer Bulb..... | 1 | | | | |

RYOBI CHAIN SAW – MODEL NUMBERS RY10519, RY10521, RY10519A & RY10521A

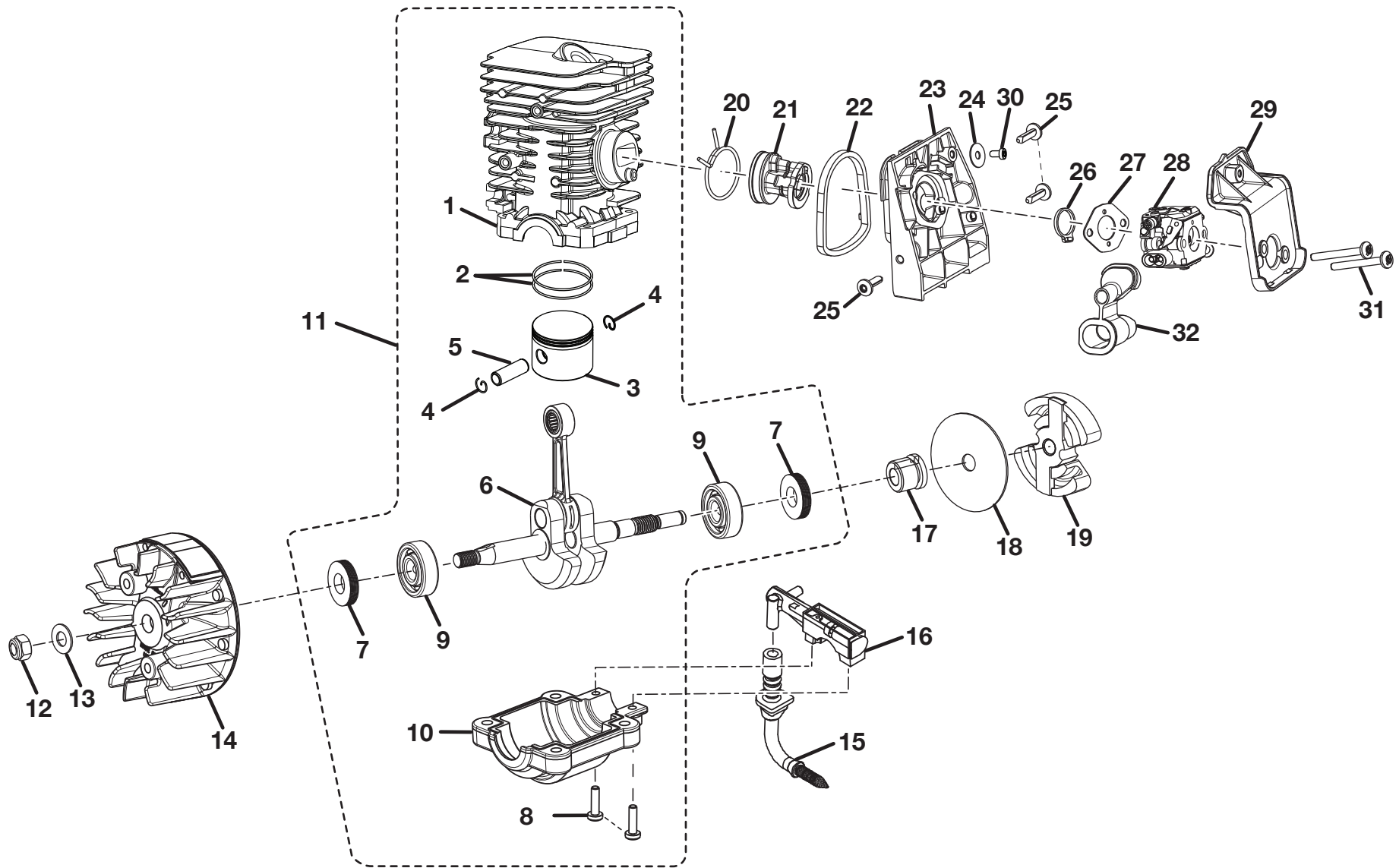


Figure B

RYOBI CHAIN SAW – MODEL NUMBERS RY10519, RY10521, RY10519A & RY10521A

The model number will be found on a label attached to the motor housing. Always mention the model number in all correspondence regarding your **CHAIN SAW** or when ordering repair parts.

PARTS LIST (FIGURE B)

| KEY NO. | PART NUMBER | DESCRIPTION | QTY | KEY NO. | PART NUMBER | DESCRIPTION | QTY |
|---------|-------------|---|-----|---------|-------------|-------------------------------------|-----|
| 1 | 640200015 | Cylinder | 1 | 17 | T610389001 | Left Hand Worm | 1 |
| 2 | 678747003 | Piston Ring | 2 | 18 | 631061001 | Thrust Washer | 1 |
| 3 | 640350012 | Piston | 1 | 19 | 300960003 | Clutch Assembly | 1 |
| 4 | 678053001 | Retaining Ring | 2 | 20 | 671267001 | Wire Clamp | 1 |
| 5 | 620392001 | Piston Pin | 1 | 21 | 570243001 | Intake Boot | 1 |
| 6 | 309160007 | Crankshaft Assembly | 1 | 22 | 518047001 | Carburetor Adaptor Seal | 1 |
| 7 | 570220004 | Shaft Seal | 2 | 23 | 308081002 | Carburetor Adapter | 1 |
| 8 | 660627001 | Screw (8-32 x 5/8 in.) | 2 | 24 | 671072001 | Washer | 1 |
| 9 | 671089002 | Ball Bearing | 2 | 25 | 660629001 | Screw (10-14 x 3/4 in., T.F.) | 3 |
| 10 | 640843002 | Crankcase | 1 | 26 | 518045001 | Carburetor Plate | 1 |
| 11 | 309890007 | Short Block Assembly (Inc. Key Nos. 1-10) | 1 | 27 | 900886002 | Carburetor Gasket..... | 1 |
| 12 | 678067001 | Lock Nut (M8) | 1 | 28 | 309360002 | Carburetor Assembly..... | 1 |
| 13 | 631049001 | Washer | 1 | 29 | 518048001 | Air Filter Base | 1 |
| 14 | 309010005 | Flywheel Assembly | 1 | 30 | 660634001 | Screw (8-16 x 5/16 in.) | 1 |
| 15 | 300950001 | Oil Intake Tube Assembly | 1 | 31 | 660655001 | Screw (10-32 x 1 3/4 in.) | 2 |
| 16 | 300945001 | Oil Pump Assembly | 1 | 32 | 570242002 | Grommet | 1 |