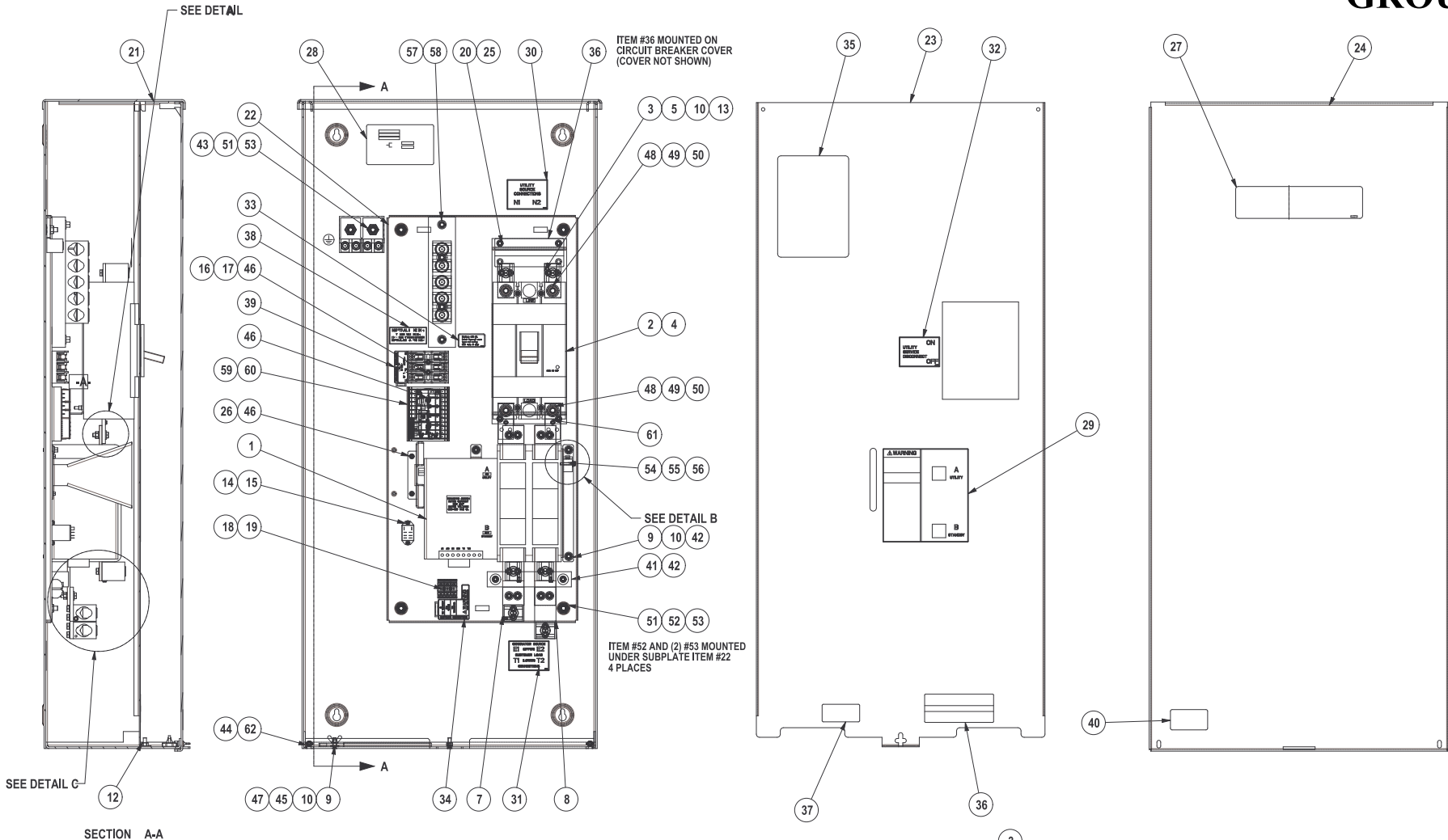
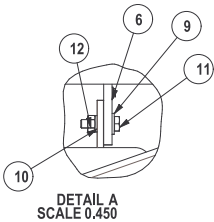


GROUP G

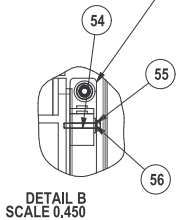


SECTION A-A

TORQUE ITEMS #11 & #12 TO 72 IN-LBS

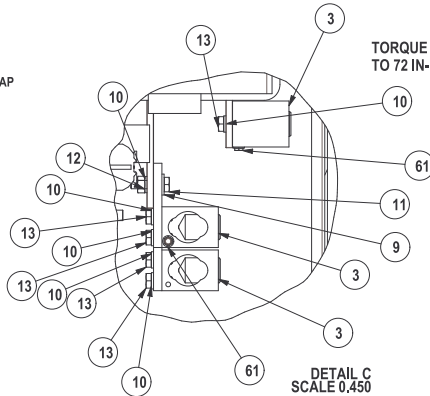


REMOVE EXISTING TYPE 1 (PHILLIPS) SCREW (2) AND INSTALL HEX HEAD CAP SCREWS AND WASHERS ITEM #55, 56 & 57 BEFORE MOUNTING SWITCH TO SUBPLATE



REFERENCE DRAWINGS

TORQUE ITEM #13 TO 72 IN-LBS



EXPLODED VIEW: ASSEMBLY 300A SERVICE ENTR GEN

DRAWING #: 0K0168A

GROUP G

ITEM	PART#	QTY.	DESCRIPTION
1	0D7297	1	XFER SW-W 300A600V2P
2	0F4738	1	CB 0300A 2P 480V G 400AF
3	0A7822	6	LUG SLDLSS 600/250-1/0X1/4-28
4	042419	4	SCREW RHM 10-32 X 4
(4)5	0F8447	2	BUS BAR CB ADAPTER 225-400 A
6	0H1427	2	BUSBAR N1,N2 400A SE
7	0H1502	1	BUSBAR T1 400A SE
8	0H1503	1	BUSBAR T2 400A SE
9	022473	12	WASHER FLAT 1/4-M6 ZINC
10	022097	24	WASHER LOCK M6-1/4
11	022413	8	SCREW HHC 1/4-20 X 1 G5
12	022127	9	NUT HEX 1/4-20 STEEL
13	0A8261	12	SCREW HHC 1/4-28 X 5/8 .625TH
(2)14	0K0103	1	RELAY PNL 12VDC DPDT 10A@240VA
15	0F2659	2	SCREW HHTT M3-0.5 X 6 BP
(2)16	0D2572	1	FUSEBLOCK 30A 600V 3POS W/SQ
17	073590A	3	FUSE 5A X BUSS
(2)18	0D7393T	1	TERM BLOCK 3P UL 12-20AWG
19	0K0124	2	SCREW PHTT M3-0.5 X 25
20	090388	4	SCREW HHTT M6-1.0 X 12 ZINC
(6)21	0K14000AL0R	1	WELDMENT 3R 400A SE ENCLOSURE
22	0K1395	1	SUBPLATE 400A SE GALV
(6)23	0H04760AL0R	1	INSIDE COVER 400A SE GEN
(6)24	0H14050AL0R	1	COVER 400A SE ENCLOSURE
(6)25	0G32370AL0R	1	400A CIRCUIT BREAKER RISER
(6)26	0G41370AL0R	1	BRACKET,XFER SW HANDLE GUIDE
(1)27	0K1098	1	DECAL RTS TRANSFER SW GENERAC
(1)28	0K1736D	1	DECAL,XFER SW SE 300A 120/240
29	0G4109	1	DECAL,MANUAL OPERATION
30	0G9651A	1	DECALS, SERVICE ENTRANCE
31	0G9651B	1	DECALS, SERVICE ENTRANCE
32	0G9651C	1	DECALS, SERVICE ENTRANCE
33	0D3587	1	DECAL, FUSE REPLACEMENT
34	0H7917	1	DECAL CUSTOMER CONN RTS
35	0H1542	1	DECAL TEST SEQUENCE
36	0G3259	2	DECAL TERMINAL SHOCK HZD BI
37	0G3274	1	DECAL LIVE CIRCUIT ENG/FRN/SPN
38	0K1018	1	DECAL, NEUTRAL CONNECTION
39	0H6389	1	DECAL UTILITY LOAD SENSE 240V
40	0H7274	1	DECAL NEC COMPLIANCE
41	0H1504	1	BUSBAR SPACER T1 T2
42	074906	5	SCREW HHTT M6-1.0 X 20 BP
43	062707	2	LUG SLDLSS 250-#6 X 11MM AL/CU
44	0E7213	2	SCREW THUMB 1/4-20 X1/2 W/SHLD
(3)45	063321	1	HANDLE XFER SWITCH 1-400A
46	045764	6	SCREW HHTT M4-0.7 X 8 ZP
47	025870	1	NUT WING 1/4-20
(5)48	046526	4	WASHER LOCK M10
(5)49	022131	4	WASHER FLAT 3/8-M10 ZINC
(5)50	052647	4	SCREW SHC M10-1.5 X 25 C12.9
51	0C3168	6	WASHER LOCK SPECIAL 5/16
52	022145	8	WASHER FLAT 5/16-M8 ZINC
53	0H6559	6	NUT HEX FL WHIZ 5/16-18
54	0G4218	2	SCREW HHC M4-0.7 X 25 C8.8
55	022264	2	WASHER LOCK #8-M4
56	038150	2	WASHER FLAT #8 ZINC
57	0K1370	1	ASSY NEUTRAL BLK 300-400A
58	091225	2	SCREW HHTT M8-1.2 X 35 YC
59	0K0220A	1	ASSY LOAD MANAGEMENT CONTROLLER PROGRAMMED

EXPLODED VIEW: ASSEMBLY 300A SERVICE ENTR GEN**DRAWING #: 0K0168A****GROUP G**

ITEM	PART#	QTY.	DESCRIPTION
60	0H7270	1	CHANNEL SNAPTRACK 76.2 X 101.2
61	026902	5	SCREW HHTT #8-32 X 1/4 CZ
62	058000E	2	NUT TRIC 1/4-20 X .525
63	0K1394	1	WIRING HARNESS 400A SE (NOT SHOWN)
64	0K1398	1	WIRE NEUTRAL TO GND CONN 400A (NOT SHOWN)

NOTES (UNLESS OTHERWISE SPECIFIED):

(1) SERIAL NUMBER AND FRONT DECAL PER MODEL

(2) SUPPLIED WITH HARNESS ITEM #63

(3) SUPPLIED WITH TRANSFER SWITCH ITEM #1

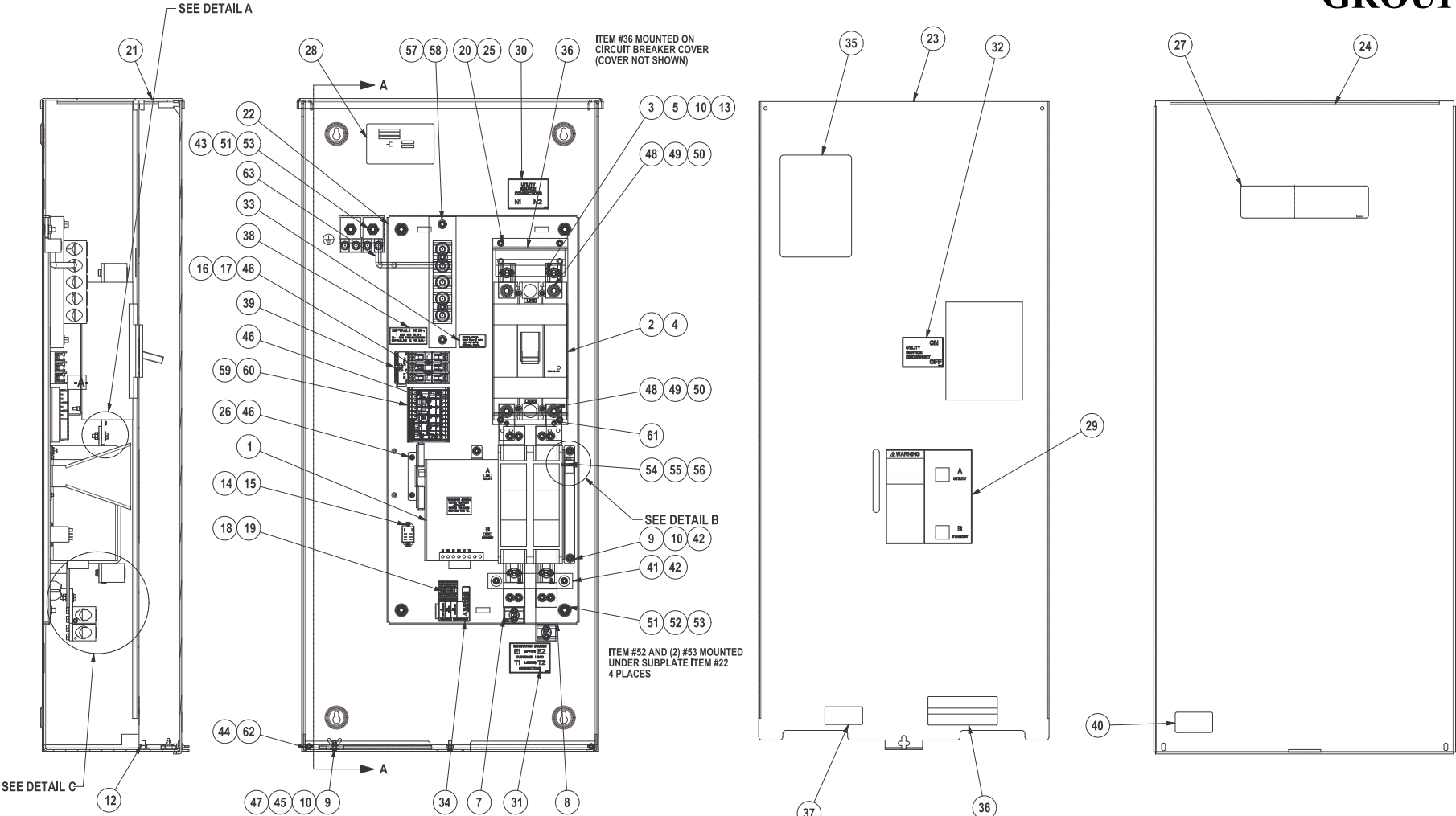
(4) SUPPLIED WITH CIRCUIT BREAKER ITEM #2

(5) TOTAL QUANTITY (4) INCLUDED WITH
CIRCUIT BREAKER ITEM #2

(6) SHEET METAL PARTS LISTED IN THE BOM TABLE ARE REPRESENTING GENERIC PARTS (NO COLOR)

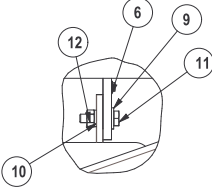
- MANUFACTURING: FOR CORRECT MATERIAL AND COLOR REFER TO AS400 BOM.
- CUSTOMER: WHEN ORDERING REPLACEMENT PARTS ENTER BASE NUMBER (FIRST 6 DIGITS ONLY) IN THE SYSTEM FOR CORRECT MATERIAL AND COLOR (FOR REFERENCE SEE GUIDELINE 0H7169).

GROUP G



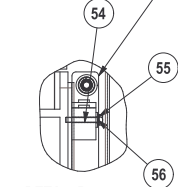
SECTION A-A

TORQUE ITEMS #11 & #12 TO 72 IN-LBS



DETAIL A SCALE 0,450

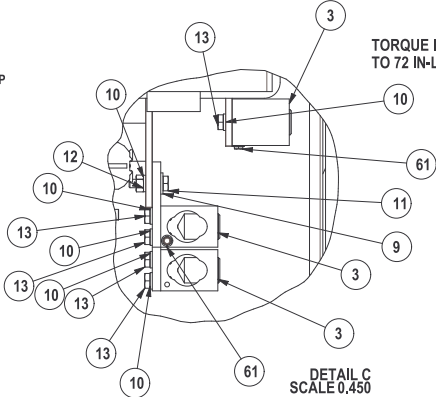
REMOVE EXISTING TYPE 1 (PHILLIPS) SCREW (2) AND INSTALL HEX HEAD CAP SCREWS AND WASHERS ITEM #S 55, 56 & 57 BEFORE MOUNTING SWITCH TO SUBPLATE



DETAIL B SCALE 0,450

REFERENCE DRAWINGS

TORQUE ITEM #13 TO 72 IN-LBS



DETAIL C SCALE 0,450

EXPLODED VIEW: ASSEMBLY 400A SERVICE ENTR GEN

DRAWING #: 0K0169A

GROUP G

ITEM	PART#	QTY.	DESCRIPTION
1	0D7294	1	XFER SW-W 400A600V2P
2	0F4740	1	CB 0400A 2P 480V G 400AF
3	0A7822	6	LUG SLDLSS 600/250-1/0X1/4-28
4	042419	4	SCREW RHM 10-32 X 4
(4)5	0F8447	2	BUS BAR CB ADAPTER 225-400 A
6	0H1427	2	BUSBAR N1,N2 400A SE
7	0H1502	1	BUSBAR T1 400A SE
8	0H1503	1	BUSBAR T2 400A SE
9	022473	12	WASHER FLAT 1/4-M6 ZINC
10	022097	24	WASHER LOCK M6-1/4
11	022413	8	SCREW HHC 1/4-20 X 1 G5
12	022127	9	NUT HEX 1/4-20 STEEL
13	0A8261	12	SCREW HHC 1/4-28 X 5/8 .625TH
(2)14	0K0103	1	RELAY PNL 12VDC DPDT 10A@240VA
15	0F2659	2	SCREW HHTT M3-0.5 X 6 BP
(2)16	0D2572	1	FUSEBLOCK 30A 600V 3POS W/SQ
17	073590A	3	FUSE 5A X BUSS
(2)18	0D7393T	1	TERM BLOCK 3P UL 12-20AWG
19	0K0124	2	SCREW PHTT M3-0.5 X 25
20	090388	4	SCREW HHTT M6-1.0 X 12 ZINC
(6)21	0K14000AL0R	1	WELDMENT 3R 400A SE ENCLOSURE
22	0K1395	1	SUBPLATE 400A SE GALV
(6)23	0H04760AL0R	1	INSIDE COVER 400A SE GEN
(6)24	0H14050AL0R	1	COVER 400A SE ENCLOSURE
(6)25	0G32370AL0R	1	400A CIRCUIT BREAKER RISER
(6)26	0G41370AL0R	1	BRACKET,XFER SW HANDLE GUIDE
(1)27	0K1098	1	DECAL RTS TRANSFER SW GENERAC
(1)28	0K1736E	1	DECAL,XFER SW SE 400A 120/240
29	0G4109	1	DECAL,MANUAL OPERATION
30	0G9651A	1	DECALS, SERVICE ENTRANCE
31	0G9651B	1	DECALS, SERVICE ENTRANCE
32	0G9651C	1	DECALS, SERVICE ENTRANCE
33	0D3587	1	DECAL, FUSE REPLACEMENT
34	0H7917	1	DECAL CUSTOMER CONN RTS
35	0H1542	1	DECAL TEST SEQUENCE
36	0G3259	2	DECAL TERMINAL SHOCK HZD BI
37	0G3274	1	DECAL LIVE CIRCUIT ENG/FRN/SPN
38	0K1018	1	DECAL, NEUTRAL CONNECTION
39	0H6389	1	DECAL UTILITY LOAD SENSE 240V
40	0H7274	1	DECAL NEC COMPLIANCE
41	0H1504	1	BUSBAR SPACER T1 T2
42	074906	5	SCREW HHTT M6-1.0 X 20 BP
43	062707	2	LUG SLDLSS 250-#6 X 11MM AL/CU
44	0E7213	2	SCREW THUMB 1/4-20 X1/2 W/SHLD
(3)45	063321	1	HANDLE XFER SWITCH 1-400A
46	045764	6	SCREW HHTT M4-0.7 X 8 ZP
47	025870	1	NUT WING 1/4-20
(5)48	046526	4	WASHER LOCK M10
(5)49	022131	4	WASHER FLAT 3/8-M10 ZINC
(5)50	052647	4	SCREW SHC M10-1.5 X 25 C12.9
51	0C3168	6	WASHER LOCK SPECIAL 5/16
52	022145	8	WASHER FLAT 5/16-M8 ZINC
53	0H6559	6	NUT HEX FL WHIZ 5/16-18
54	0G4218	2	SCREW HHC M4-0.7 X 25 C8.8
55	022264	2	WASHER LOCK #8-M4
56	038150	2	WASHER FLAT #8 ZINC
57	0K1370	1	ASSY NEUTRAL BLK 300-400A
58	091225	2	SCREW HHTT M8-1.2 X 35 YC
59	0K0220A	1	ASSY LOAD MANAGEMENT CONTROLLER PROGRAMMED

EXPLODED VIEW: ASSEMBLY 400A SERVICE ENTR GEN

DRAWING #: 0K0169A

GROUP G

ITEM	PART#	QTY.	DESCRIPTION
60	0H7270	1	CHANNEL SNAPTRACK 76.2 X 101.2
61	026902	5	SCREW HHTT #8-32 X 1/4 CZ
62	058000E	2	NUT TRIC 1/4-20 X .525
63	0K1398	1	WIRE NEUTRAL TO GROUND CONNECTION
64	0K1394	1	WIRING HARNESS 400A SE (NOT SHOWN)

NOTES (UNLESS OTHERWISE SPECIFIED):

- (1) SERIAL NUMBER AND FRONT DECAL PER MODEL
- (2) SUPPLIED WITH HARNESS ITEM #63
- (3) SUPPLIED WITH TRANSFER SWITCH ITEM #1
- (4) SUPPLIED WITH CIRCUIT BREAKER ITEM #2
- (5) TOTAL QUANTITY (4) INCLUDED WITH CIRCUIT BREAKER ITEM #2
- (6) SHEET METAL PARTS LISTED IN THE BOM TABLE ARE REPRESENTING GENERIC PARTS (NO COLOR)
 - MANUFACTURING: FOR CORRECT MATERIAL AND COLOR REFER TO AS400 BOM.
 - CUSTOMER: WHEN ORDERING REPLACEMENT PARTS ENTER BASE NUMBER (FIRST 6 DIGITS ONLY) IN THE SYSTEM FOR CORRECT MATERIAL AND COLOR (FOR REFERENCE SEE GUIDELINE 0H7169).

ITEM	PART#	QTY.	DESCRIPTION
-------------	--------------	-------------	--------------------

This page left blank intentionally

ITEM	PART#	QTY.	DESCRIPTION
-------------	--------------	-------------	--------------------

This page left blank intentionally