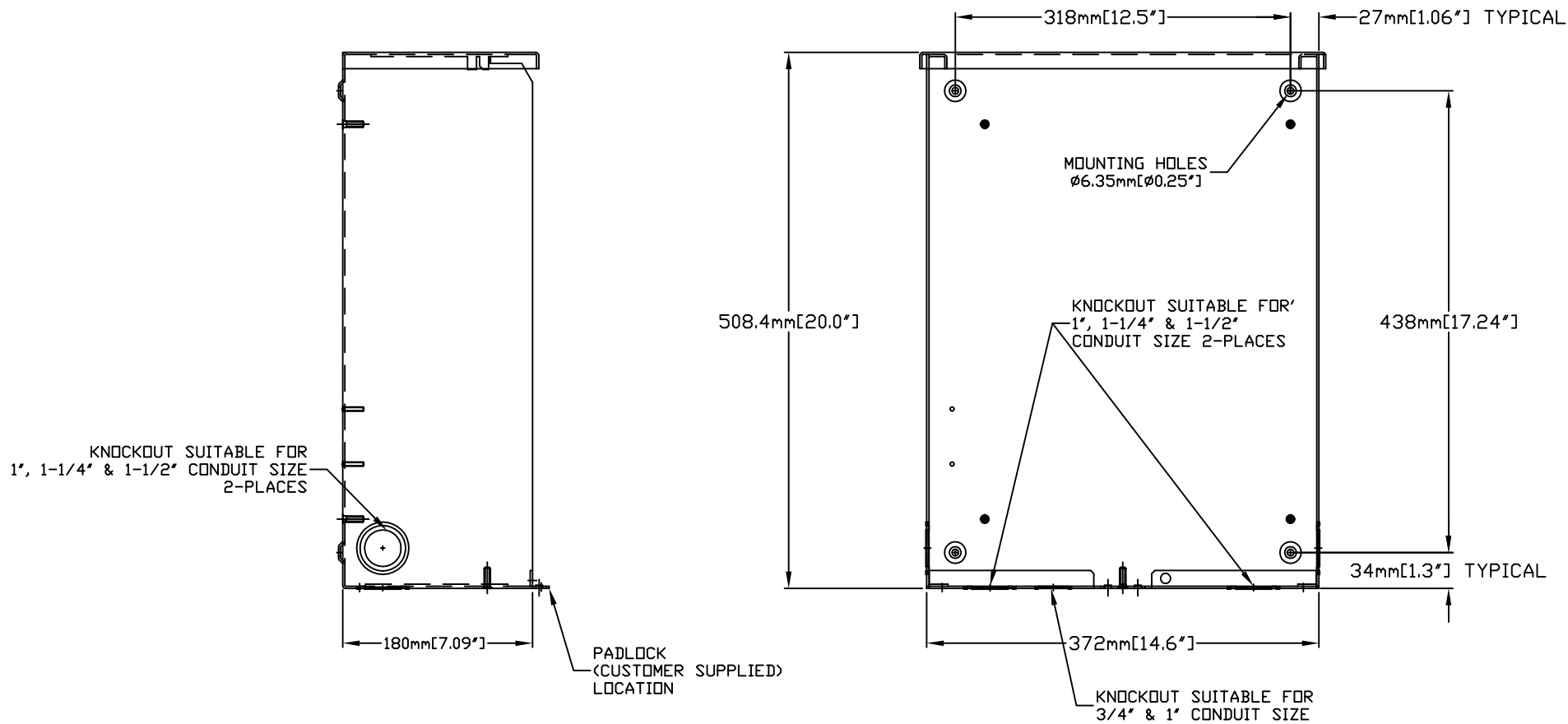


# GROUP C

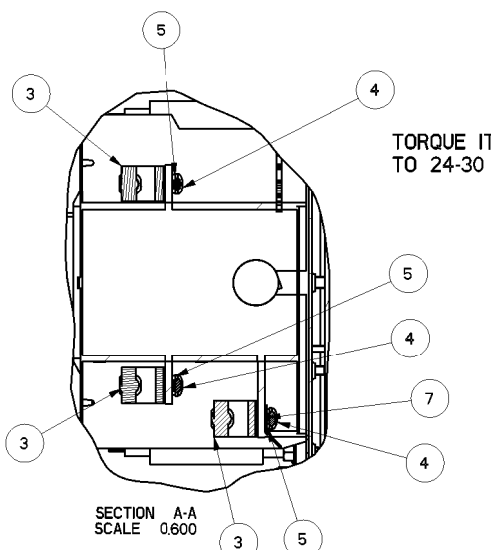
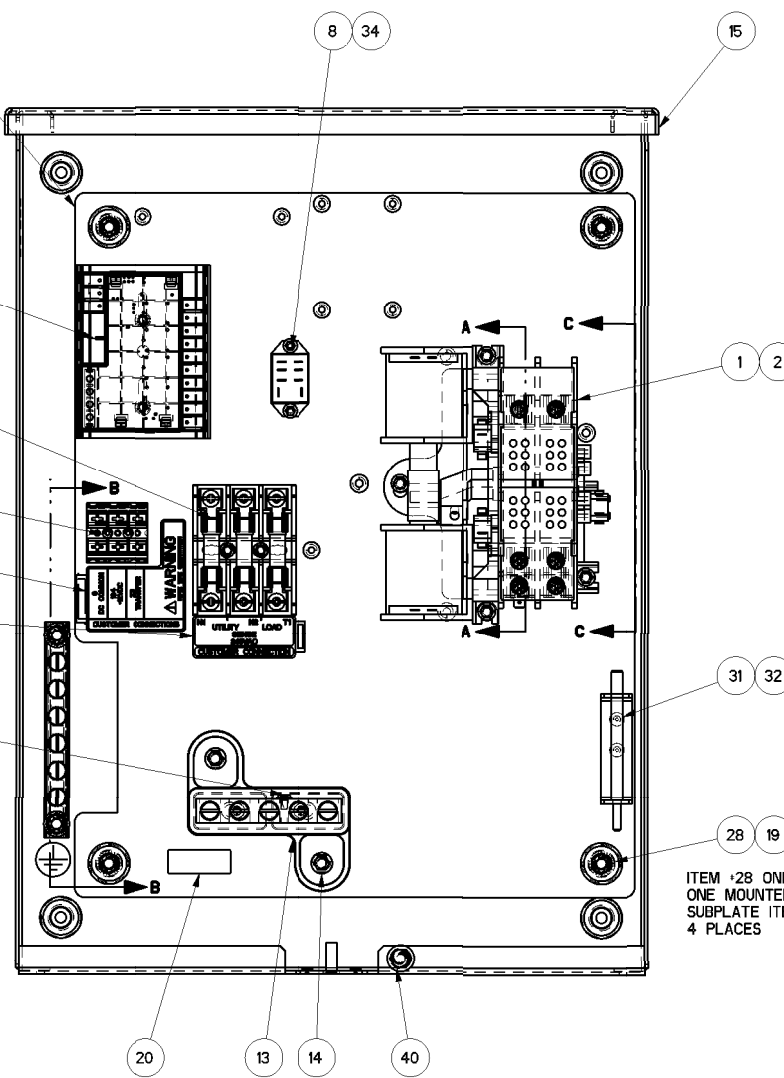
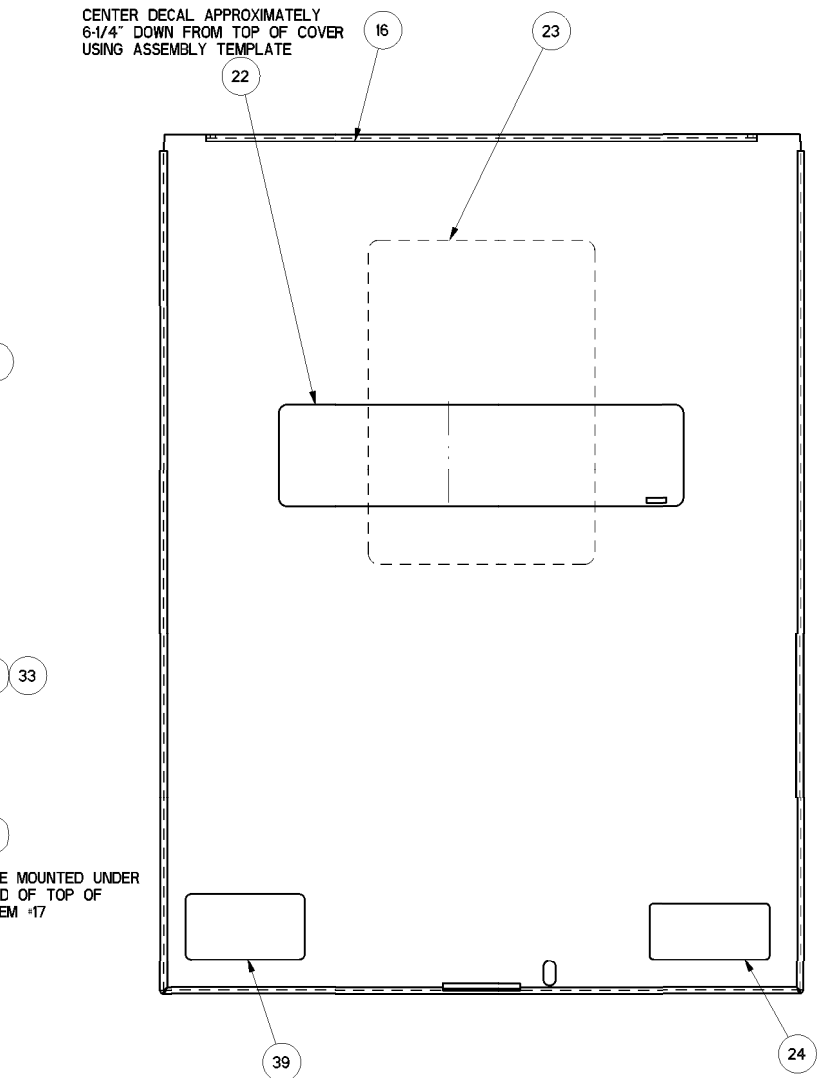


ITEM #	PART #	QTY	DESCRIPTION
1	0L2910	1	XFRSW HSB 100A 2P 250V
2	074908	4	SCREW HHTT M5-0.8 X 10 BP
3	077033	6	LUG SLDLSS 1/0-#14X9/16 AL/CU
4	0G7624	6	SCREW PPHM #10-32 X 5/16
5	022152	6	WASHER LOCK #10
6	0A1495	4	SCREW HHTT M4-0.7 X 10 BP
7	0G74138	1	LUG DIS QK NI-S 10X45 DEG BR/T
** 8	0K0103	1	RELAY PNL 12VDC DPDT 10A@240VA
** 9	0D2572	1	FUSEBLOCK 30A 600V 3POS W/SO
10	073590A	3	FUSE 5A X BUSS
** 11	0D7393T	1	TERM BLOCK 3P UL 12-20AWG
12	0L3068	2	SCREW THTT M3-0.5 X 25 ZP
13	0K0108	1	ASSY-NEUT BLK 100A
14	090388	2	SCREW HHTT M6-1.0 X 12 ZINC
15	0K0120ALOR	1	ENCLOSURE 100/200A XFER SW_RAW
16	0K01130ALOR	1	COVER 100A XFER SWITCH_INST_RAW
17	0K0114	1	SUBPLATE, 100/200A XFER SW
18	0H7917	1	DECAL CUSTOMER CONN RTS
19	0G8411	6	NUT HEX FL WHIZ 1/4-20
20	0A9457	1	DECAL, NEUTRAL
21	0A9517	1	DECAL MANUAL 5A FUSE
* 22	0K1098	1	DECAL RTS TRANSFER SW GENERAC
23	0K1800	1	DECAL TEST SEQUENCE 100/200A NON
24	0G3274	1	DECAL LIVE CIRCUIT ENG/FRN/SPN
25	0H6389	1	DECAL UTILITY LOAD SENSE 240V
26	0J8202	1	LUG SLDLSS 2/0-#14X#10-32X.125
27	026850	2	WASHER LOCK EXT 1/4 STL
28	022473	4	WASHER FLAT 1/4-M6 ZINC
* 29	0K1799A	1	DECAL DATA NON SE SW 100A
30	085296	1	SCREW HHC 1/4-20 X 1/2 SS
31	0D6162	2	RIVET POP .156 X .362 AL
32	0E6155	1	PIN ARM EXTENDER
33	0E6193	1	BRACKET, ARM EXTENDER
34	0F2659	2	SCREW HHTT M3-0.5 X 6 BP
35	0A2115	1	WASHER NYLON .257
36	026902	1	SCREW HHTT #8-32 X 1/4 CZ
37	0H7270	1	CHANNEL SNAPTRACK 76.2 X 101.2
38	0L3123	1	ASSY SMART AC MOD
39	0H7274	1	DECAL NEC COMPLIANCE
40	0L6699	1	NUT TRIC 1/4-20 ALUM
41	0L3246	1	WIRE HARNESS 100/200A RTS

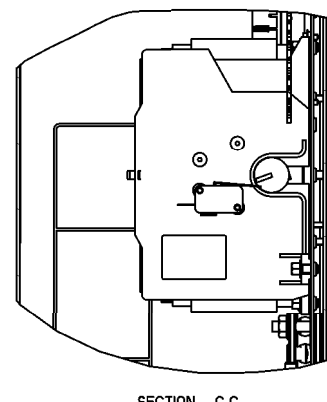
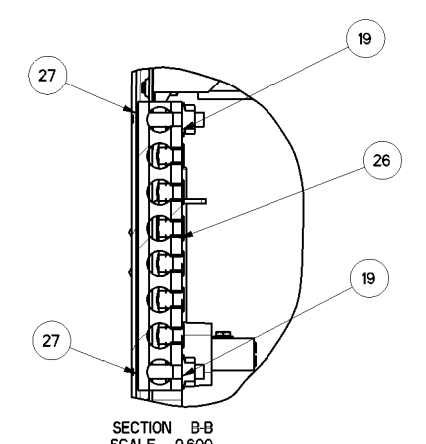
\*SERIAL NUMBER AND FRONT DECAL PER MODEL  
 \*\*SUPPLIED WITH HARNESS ITEM #41

PART NUMBER	DESCRIPTION	ITEM # 29	ITEM # 22
OL3210	ASSEMBLY 100A 120/240 NON SE	OK1799A	PER MODEL
OL3210A	EXPLODED VIEW DRAWING	N/A	N/A
OL3210B	ASSEMBLY 100A 120/240 NON SE	OK1799A	OK1098
OL3210C	ASSEMBLY 100A 120/240 NON SE	OJ3806A	OK1274

GENERAL TOLERANCES UNLESS NOTED		THIRD ANGLE PROJECTION		<b>GENERAC</b>	
ALL XX ± 0.4 MM	XXX ± 0.4 MM			TITLE	
ALL DIM ± .1	ALL DIM ± .1			ASSEMBLY DWG 2-POLE 100A 120/240V	
<small>GENERAC POWER SYSTEMS OWNS THE COPYRIGHT OF THIS DRAWING WHICH IS SUPPLIED IN CONFIDENTIAL AND MUST NOT BE USED FOR ANY PURPOSE OTHER THAN FOR WHICH IT IS SUPPLIED WITHOUT THE EXPRESS WRITTEN CONSENT OF GENERAC POWER SYSTEMS. © GENERAL POWER SYSTEMS 2010</small>				ISSUE DATE:	
ELECTRONICALLY APPROVED INSIDE WINDCHILL				SIZE	DWG NO
				D	OL3210\$
				SCALE	WT-KG 22428213.10 SHEET 1 of 1
				REV	C



TORQUE ITEM #4 TO 24-30 IN-LBS



REFERENCE DRAWINGS  
 OL3241 SCHEMATIC/WIRING DIAGRAMS  
 OF6778 CARTON 30.5 X 14.2 X 7.8  
 0H7275 TEST PROC HSB XFRSW  
 OK0115 KIT ENCL 100/200A NON SE AL

# GENERAL ASSEMBLY DRAWING

DRAWING CREATED FROM PRO/ENGINEER 3D FILE. ECO MODIFICATION TO BE APPLIED TO SOLID MODEL ONLY.

SH	I/I	REV	C	WINDMILL VERSION	C.2	DESCRIPTION
						1 OL2911 1 XFRSW HSB 200A 2P 250V
						2 074908 5 SCREW HHTT M5-0.8 X 10 BP
						3 0E3375 6 LUG SLDLSS 250-H6 AL/CU
						4 0F1252 6 SCREW BHSC 1/4-20 X 3/8
						5 022097 6 WASHER LOCK M6-1/4
						6 0A1495 4 SCREW HHTT M4-0.7 X 10 BP
**						7 0K0103 1 RELAY PNL 12VDC DPDT 10A@240VA
**						8 0D2572 1 FUSEBLOCK 30A 600V 3POS W/SO
						9 073590A 3 FUSE 5A X BUSS
**						10 0D7393T 1 TERM BLOCK 3P UL 12-20AWG
						11 0L3068 2 SCREW HHTT M3-0.5 X 25 ZP
						12 0K0108A 1 ASSY-NEUT BLK 200A W/TAP
						13 090388 2 SCREW HHTT M6-1.0 X 12 ZINC
						14 0K01120ALOR 1 ENCLOSURE 100/200A XFER SW_RAW
						15 0K01130ALOR 1 COVER 100A XFER SWITCH_INST_RAW
						16 0K0114 1 SUBPLATE, 100/200A XFER SW
						17 026902 1 SCREW HHTT #8-32 X 1/4 CZ
*						18 0K1799B 1 DECAL DATA NON SE SW 200A
						19 0A9517 1 DECAL MANUAL 5A FUSE
						20 0A9457 1 DECAL, NEUTRAL
						21 0E6033 2 90 DEGREE DN SPADE CONNECTOR
						22 0K1800 1 DECAL TEST SEQUENCE 100/200A NON
						23 0G3274 1 DECAL LIVE CIRCUIT ENG/FRN/SPN
						24 0H6389 1 DECAL UTILITY LOAD SENSE 240V
						25 0J8202 1 LUG SLDLSS 2/0-H14X#10-32X.125
						26 026850 2 WASHER LOCK EXT 1/4 STL
						27 022473 4 WASHER FLAT 1/4-M6 ZINC
						28 0A2115 1 WASHER NYLON .257
						29 085296 1 SCREW HHC 1/4-20 X 1/2 SS
						30 0D6162 2 RIVET POP .156 X .362 AL
						31 0E6155 1 PIN ARM EXTENDER
						32 0E6193 1 BRACKET, ARM EXTENDER
						33 0F2659 2 SCREW HHTT M3-0.5 X 6 BP
						34 0G8411 6 NUT HEX FL WHIZ 1/4-20
*						35 0K1098 1 DECAL RTS TRANSFER SW GENERAC
						36 0H7274 1 DECAL NEC COMPLIANCE
						37 0H7917 1 DECAL CUSTOMER CONN RTS
						38 0H7270 1 CHANNEL SNAPTRACK 76.2 X 101.2
						39 0L3123 1 ASSY SMART AC MOD
						40 0L6699 1 NUT TRIC 1/4-20 ALUM
						41 0L3246 1 WIRE HARNESS 100/200A RTS

\*SERIAL NUMBER AND FRONT DECAL PER MODEL  
 \*\*SUPPLIED WITH HARNESS ITEM #41

PART NUMBER	DESCRIPTION	ITEM # 18	ITEM # 35
OL3211	ASSEMBLY 200A 120/240 NON SE	OK1799B	PER MODEL
OL3211A	EXPLODED VIEW DRAWING	N/A	N/A
OL3211B	ASSEMBLY 200A 120/240 NON SE	OK1799B	OK1098
OL3211C	ASSEMBLY 200A 120/240 NON SE	OJ3806B	OK1274

GENERAL TOLERANCES UNLESS NOTED

ALL XX : ± 0.4 MM	THIRD ANGLE PROJECTION		TITLE <b>ASSEMBLY DWG 2-POLE 200A 120/240V</b>
XXX : ± 0.4 MM			
XXXX : ± 0.5 MM			ISSUE DATE:
ALL AND : ± .7			SIZE D
INTERPRET DIM AND TOL PER ASME Y14.5M-1994			CAGE NO N/A
			DWG NO <b>OL3211\$</b>
			SCALE 0.450
			WT-KG 22428213.136HEET 1 of 1

GENERAC  
 ELECTRONICALLY APPROVED  
 185/DC WINDMILL

CENTER DECAL APPROXIMATELY  
 6-1/4" DOWN FROM TOP OF COVER  
 USING ASSEMBLY TEMPLATE

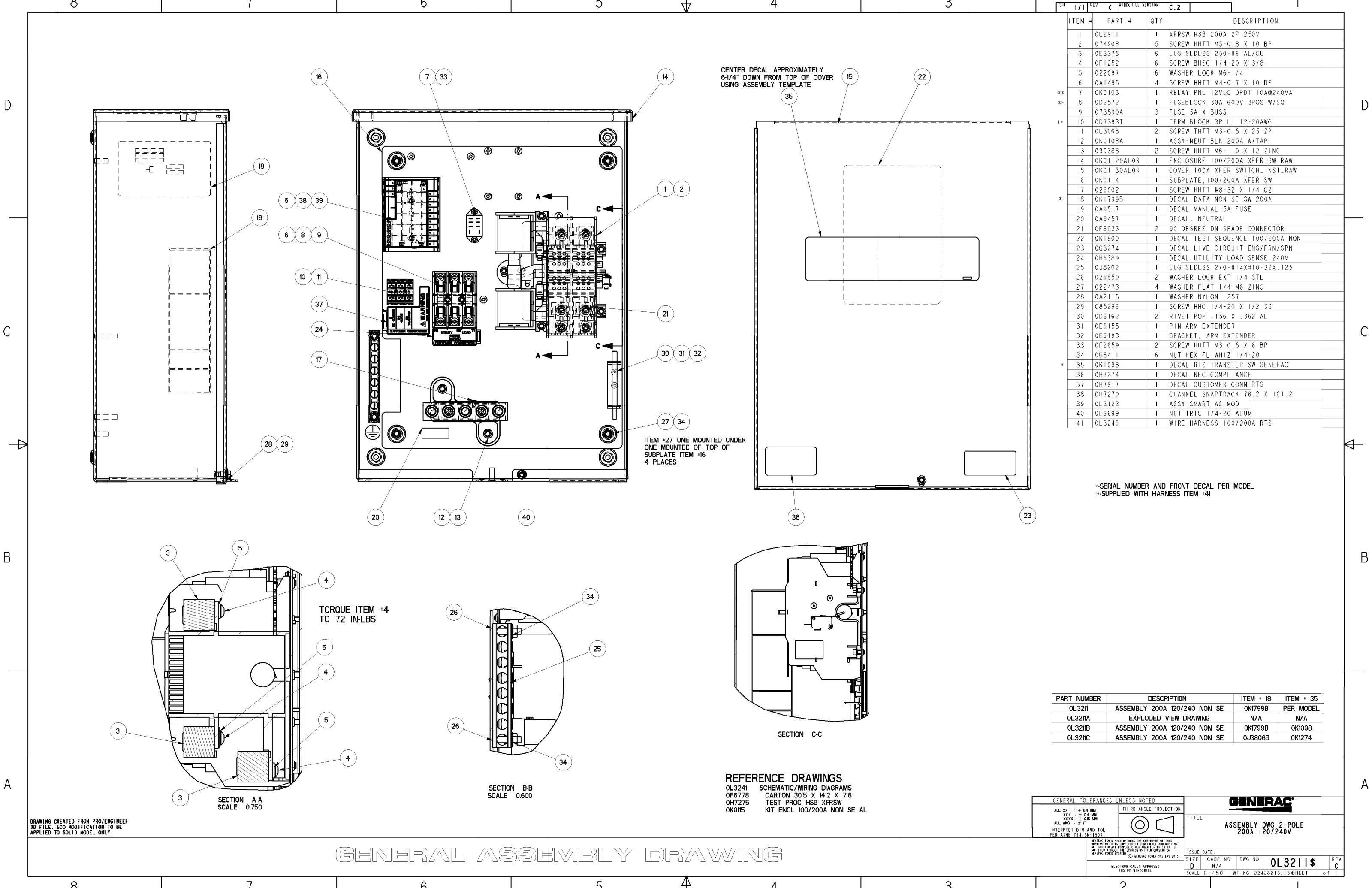
ITEM #27 ONE MOUNTED UNDER  
 ONE MOUNTED OF TOP OF  
 SUBPLATE ITEM #16  
 4 PLACES

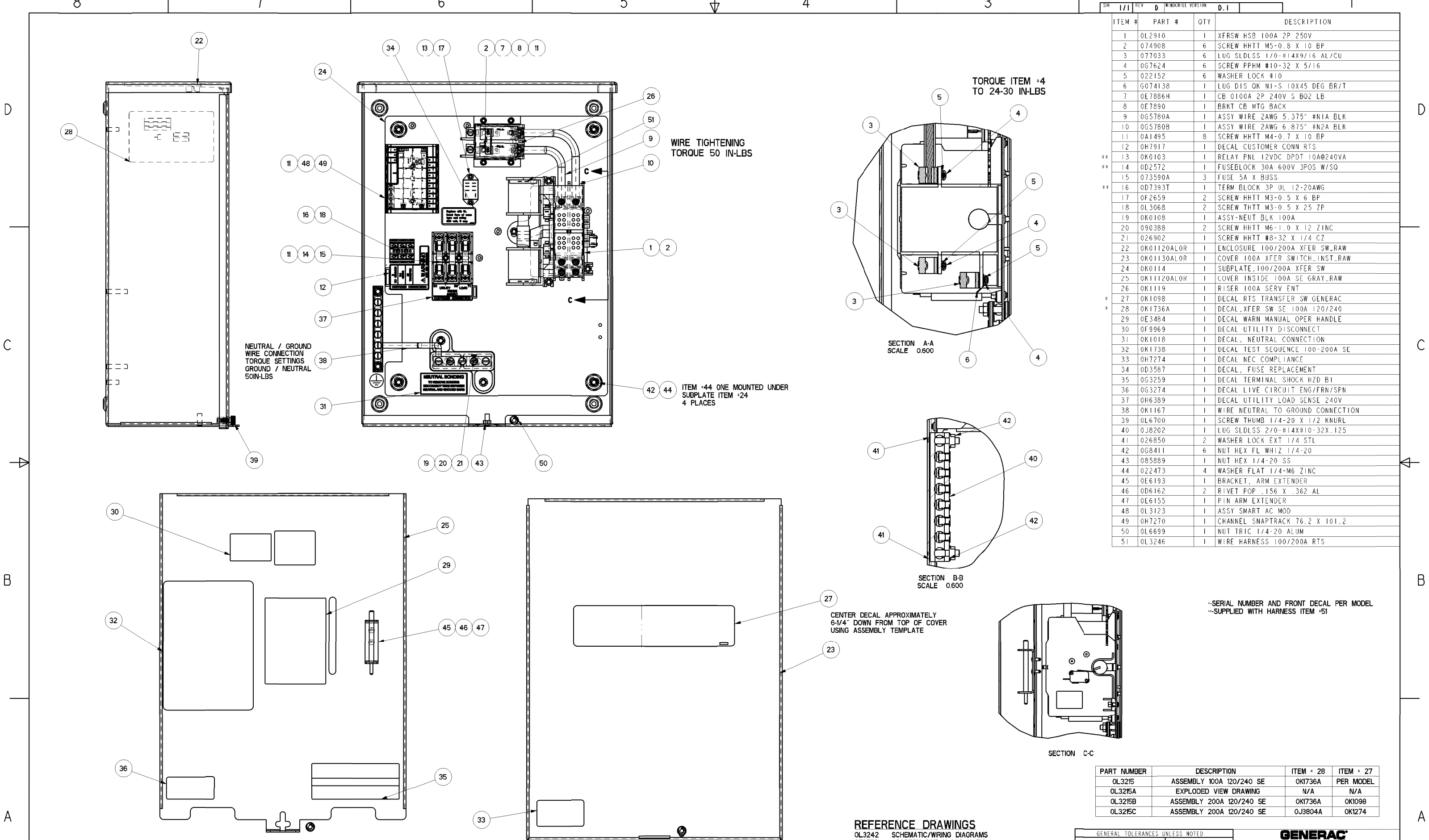
TORQUE ITEM #4  
 TO 72 IN-LBS

REFERENCE DRAWINGS  
 OL3241 SCHEMATIC/WIRING DIAGRAMS  
 OF6778 CARTON 30.5 X 14.2 X 7.8  
 0H7275 TEST PROC HSB XFRSW  
 0K0115 KIT ENCL 100/200A NON SE AL

# GENERAL ASSEMBLY DRAWING

DRAWING CREATED FROM PRO/ENGINEER  
 3D FILE. ECO MODIFICATION TO BE  
 APPLIED TO SOLID MODEL ONLY.





ITEM #	PART #	QTY	DESCRIPTION
1	0L2910	1	XFRSW HSB 100A 2P 250V
2	074908	6	SCREW HHTT M5-0.8 X 10 BP
3	077033	6	LUG SLDLSS 1/0-#14X9/16 AL/CU
4	0G7624	6	SCREW PPHM #10-32 X 5/16
5	022152	6	WASHER LOCK #10
6	G074138	1	LUG DIS QK NI-S 10X45 DEG BR/T
7	0E7886H	1	CB 0100A 2P 240V S BQ2 LB
8	0E7890	1	BRKT CB MTG BACK
9	0G5780A	1	ASSY WIRE 2AWG 5.375" #N1A BLK
10	0G5780B	1	ASSY WIRE 2AWG 6.875" #N2A BLK
11	0A1495	8	SCREW HHTT M4-0.7 X 10 BP
12	0H7917	1	DECAL CUSTOMER CONN RTS
** 13	0K0103	1	RELAY PNL 12VDC DPDT 10A@240VA
** 14	0D2572	1	FUSEBLOCK 30A 600V 3POS W/SQ
** 15	073590A	3	FUSE 5A X BUSS
** 16	0D7393T	1	TERM BLOCK 3P UL 12-20AWG
17	0F2659	2	SCREW HHTT M3-0.5 X 6 BP
18	0L3068	2	SCREW HHTT M3-0.5 X 25 ZP
19	0K0108	1	ASSY-NEUT BLK 100A
20	090388	2	SCREW HHTT M6-1.0 X 12 ZINC
21	026902	1	SCREW HHTT #8-32 X 1/4 C2
22	0K01120ALOR	1	ENCLOSURE 100/200A XFER SW_RAW
23	0K01130ALOR	1	COVER 100A XFER SWITCH_INST_RAW
24	0K0114	1	SUBPLATE,100/200A XFER SW
25	0K11120ALOR	1	COVER INSIDE 100A SE GRAY_RAW
26	0K1119	1	RISE 100A SERV ENT
* 27	0K1098	1	DECAL RTS TRANSFER SW GENERAC
* 28	0K1736A	1	DECAL XFER SW SE 100A 120/240
29	0E3484	1	DECAL WARN MANUAL OPER HANDLE
30	0F9969	1	DECAL UTILITY DISCONNECT
31	0K1018	1	DECAL, NEUTRAL CONNECTION
32	0K1738	1	DECAL TEST SEQUENCE 100-200A SE
33	0H7274	1	DECAL NEC COMPLIANCE
34	0D3587	1	DECAL, FUSE REPLACEMENT
35	0G3259	1	DECAL TERMINAL SHOCK HZD B1
36	0G3274	1	DECAL LIVE CIRCUIT ENG/FRN/SPN
37	0H6389	1	DECAL UTILITY LOAD SENSE 240V
38	0K1167	1	WIRE NEUTRAL TO GROUND CONNECTION
39	0L6700	1	SCREW THUMB 1/4-20 X 1/2 KNURL
40	0J8202	1	LUG SLDLSS 2/0-#14X#10-32X.125
41	026850	2	WASHER LOCK EXT 1/4 STL
42	0G8411	6	NUT HEX FL WHIZ 1/4-20
43	085889	1	NUT HEX 1/4-20 SS
44	022473	4	WASHER FLAT 1/4-M6 ZINC
45	0E6193	1	BRACKET, ARM EXTENDER
46	0D6162	2	RIVET POP .156 X .362 AL
47	0E6155	1	PIN ARM EXTENDER
48	0L3123	1	ASSY SMART AC MOD
49	0H7270	1	CHANNEL SNAPTRACK 76.2 X 101.2
50	0L6699	1	NUT TRIC 1/4-20 ALUM
51	0L3246	1	WIRE HARNESS 100/200A RTS

TORQUE ITEM #4 TO 24-30 IN-LBS

WIRE TIGHTENING TORQUE 50 IN-LBS

NEUTRAL / GROUND WIRE CONNECTION TORQUE SETTINGS GROUND / NEUTRAL 50IN-LBS

ITEM #44 ONE MOUNTED UNDER SUBPLATE ITEM #24 4 PLACES

SECTION A-A SCALE 0.600

SECTION B-B SCALE 0.600

SECTION C-C

CENTER DECAL APPROXIMATELY 6-1/4" DOWN FROM TOP OF COVER USING ASSEMBLY TEMPLATE

\*\*SERIAL NUMBER AND FRONT DECAL PER MODEL  
\*\*SUPPLIED WITH HARNESS ITEM #51

PART NUMBER	DESCRIPTION	ITEM # 28	ITEM # 27
0L3215	ASSEMBLY 100A 120/240 SE	0K1736A	PER MODEL
0L3215A	EXPLODED VIEW DRAWING	N/A	N/A
0L3215B	ASSEMBLY 200A 120/240 SE	0K1736A	0K1098
0L3215C	ASSEMBLY 200A 120/240 SE	0J3804A	0K1274

**REFERENCE DRAWINGS**  
 0L3242 SCHEMATIC/WIRING DIAGRAMS  
 0F6778 CARTON 30.5 X 14.2 X 7.8  
 0H7275 TEST PROC HSB XFRSW  
 0K0116 KIT ENCL 100 SE AL

GENERAL TOLERANCES UNLESS NOTED		THIRD ANGLE PROJECTION	
ALL XX	± 0.4 MM		
XXX	± 0.4 MM		
XXXX	± 0.6 MM		
ALL ANG	± 1°	INTERPRET DIM AND TOL PER ASME Y14.5M-1994	

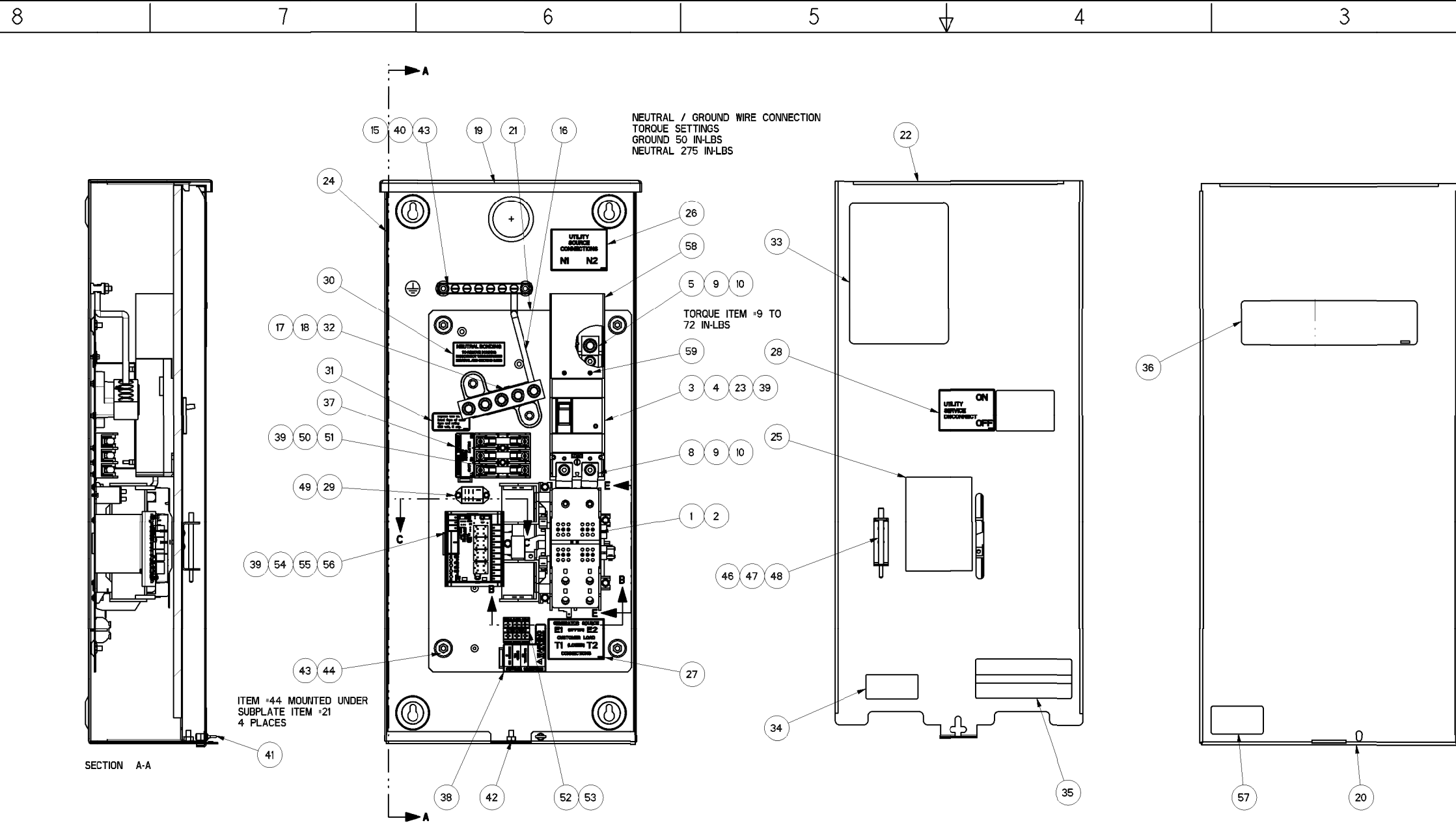
**GENERAC**

TITLE  
**ASSEMBLY DWG 2-POLE 100A 120/240V SE**

DRAWING CREATED FROM PRO/ENGINEER 3D FILE. ECO MODIFICATION TO BE APPLIED TO SOLID MODEL ONLY.

**GENERAL ASSEMBLY DRAWING**

ISSUE DATE:	SIZE	CAGE NO	DWG NO	REV
	D	N/A	0L3215	D
SCALE 0.400				WT-KG 22428223.726HEET 1 of 1



ITEM #	PART #	QTY	DESCRIPTION
1	0L2911	1	XFRSW HSB 200A 2P 250V
2	074908	5	SCREW HHTT M5-0.8 X 10 BP
3	0K0971	1	CB 150A 2POLE 240V 225AF
4	0K0973	2	SCREW RHM #8-32 X 2-1/2
5	0H6306	2	LUG SLDLSS 350 MCM-6 AL/CU
6	0G4413	2	SPACER, 200 AMP TRANSFER SWITCH
7	024334	2	BOLT CARR 1/4-20 X 1
8	0K0130	2	BUSBAR 200A TRANSFER SW N1,N2
9	049897	4	SCREW SHC M8-1.25 X 20 G6
10	022129	4	WASHER LOCK M8-5/16
11	0E3375	4	LUG SLDLSS 250-#6 AL/CU
12	0F1252	4	SCREW BHSC 1/4-20 X 3/8
13	0E6033	4	90 DEGREE DN SPADE CONNECTOR
14	0E6034	1	STRAIGHT SPADE CONNECTOR
15	0J8202	1	LUG SLDLSS 2/0-#14X#10-32X.125
16	0K1081	1	WIRE NEUTRAL/GND CONNECTION
17	0K0108A	1	ASSY-NEUT BLK 200A W/TAP
18	090388	2	SCREW HHTT M6-1.0 X 12 ZINC
19	0K01170ALOR	1	ENCLOSURE 200A SE XFRSW RAW
20	0K01180ALOR	1	COVER, 200A SE XFRSW RAW
21	0K0119	1	SUBPLATE, 200A SE XFER SW
22	0K01310ALOR	1	COVER INSIDE 200A SE XFER SW RAW
23	0K0132	1	CB RISER BRACKET 200A GENERAC
24	0K1736B	1	DECAL, XFER SW SE 150A 120/240
25	0L3484	1	DECAL WARN MANUAL OPER HANDLE
26	0G9651A	1	DECALS, SERVICE ENTRANCE
27	0G9651B	1	DECALS, SERVICE ENTRANCE
28	0G9651C	1	DECALS, SERVICE ENTRANCE
29	0F2659	2	SCREW HHTT M3-0.5 X 6 BP
30	0K1018	1	DECAL, NEUTRAL CONNECTION
31	0D3587	1	DECAL, FUSE REPLACEMENT
32	026902	1	SCREW HHTT #8-32 X 1/4 CZ
33	0K1738	1	DECAL TEST SEQUENCE 100-200A SE
34	0G3274	1	DECAL LIVE CIRCUIT ENG/FRN/SPN
35	0G3259	1	DECAL TERMINAL SHOCK HZD BI
36	0K1098	1	DECAL RTS TRANSFER SW GENERAC
37	0H6389	1	DECAL UTILITY LOAD SENSE 240V
38	0H7917	1	DECAL CUSTOMER CONN RTS
39	0A1495	8	SCREW HHTT M4-0.7 X 10 BP
40	026850	2	WASHER LOCK EXT 1/4 STL
41	0E7213	1	SCREW THUMB 1/4-20 X1/2 W/SHLD
42	085889	1	NUT HEX 1/4-20 SS
43	0G8411	8	NUT HEX FL WHIZ 1/4-20
44	022473	4	WASHER FLAT 1/4-M6 ZINC
45	022097	4	WASHER LOCK M6-1/4
46	0E6193	1	BRACKET, ARM EXTENDER
47	0D6162	2	RIVET POP .156 X .362 AL
48	0E6155	1	PIN ARM EXTENDER
49	0K0103	1	RELAY PNL 12VDC DPDT 10A@240VA
50	0D2572	1	FUSEBLOCK 30A 600V 3POS W/SQ
51	073590A	3	FUSE 5A X BUSS
52	0D7393T	1	TERM BLOCK 3P UL 12-20AWG
53	0L3068	2	SCREW HHTT M3-0.5 X 25 ZP
54	0H7190	1	BRACKET LOAD SHED 200A RTS
55	0L3123	1	ASSY SMART AC MOD
56	0H7270	1	CHANNEL SNAPTRACK 76.2 X 101.2
57	0H7274	1	DECAL NEC COMPLIANCE
58	0K8414	1	CB TERMINAL COVER 2 POLE 240V
59	0K8628	2	SCREW PFH 4-24 X 5/16 TCS
60	064761	4	TIE WRAP UL 5.6 X .10 NATL
61	0L3247	1	HARNESS 200A SE SACM

--SERIAL NUMBER AND FRONT DECAL PER MODEL  
--SUPPLIED WITH HARNESS ITEM #61

PART NUMBER	DESCRIPTION	ITEM # 24	ITEM # 36
0L3216	ASSEMBLY 150A SERVICE ENTR GEN	0K1736B	PER MODEL
0L3216A	EXPLODED VIEW DRAWING	N/A	N/A
0L3216B	ASSEMBLY 150A SERVICE ENTR GEN	0K1736B	0K1098
0L3216C	ASSEMBLY 150A SERVICE ENTR HNYWL	CJ3804B	0K1274

**REFERENCE DRAWINGS**  
0L3242 SCHEMATIC/WIRING DIAGRAMS  
0K1846 CARTON 305 X 142 X 7  
0H7275 TEST PROC HSB XFRSW  
0K0120 KIT, ENCL 200A SE AL GENERAC

GENERAL TOLERANCES UNLESS NOTED		THIRD ANGLE PROJECTION
ALL XX	± 0.4 MM	
XXX	± 0.4 MM	
XXX	± 0.5 MM	
ALL DIM	± .1	
INTERPRET DIM AND TOL PER ASME Y14.5M-1994		

<b>GENERAC</b>		TITLE	
ASSEMBLY 150A SERVICE ENTRANCE GENERAC CB			
ISSUE DATE:	SIZE	CAGE NO	DWG NO
	D	N/A	0L3216\$
ELECTRONICALLY APPROVED	SCALE	WT-KG	1 of 1
INSIDE WINDCHILL	0, 300	306457478, 688	

# GENERAL ASSEMBLY DRAWING

DRAWING CREATED FROM PRO/ENGINEER 3D FILE. ECO MODIFICATION TO BE APPLIED TO SOLID MODEL ONLY.

D

D

C

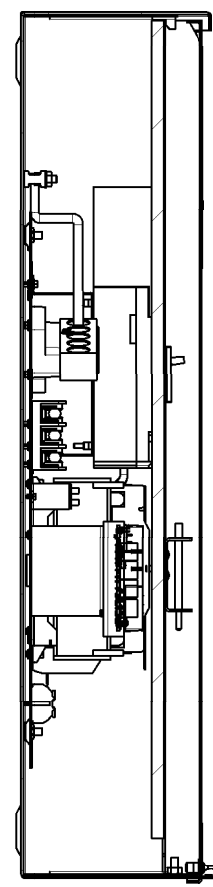
C

B

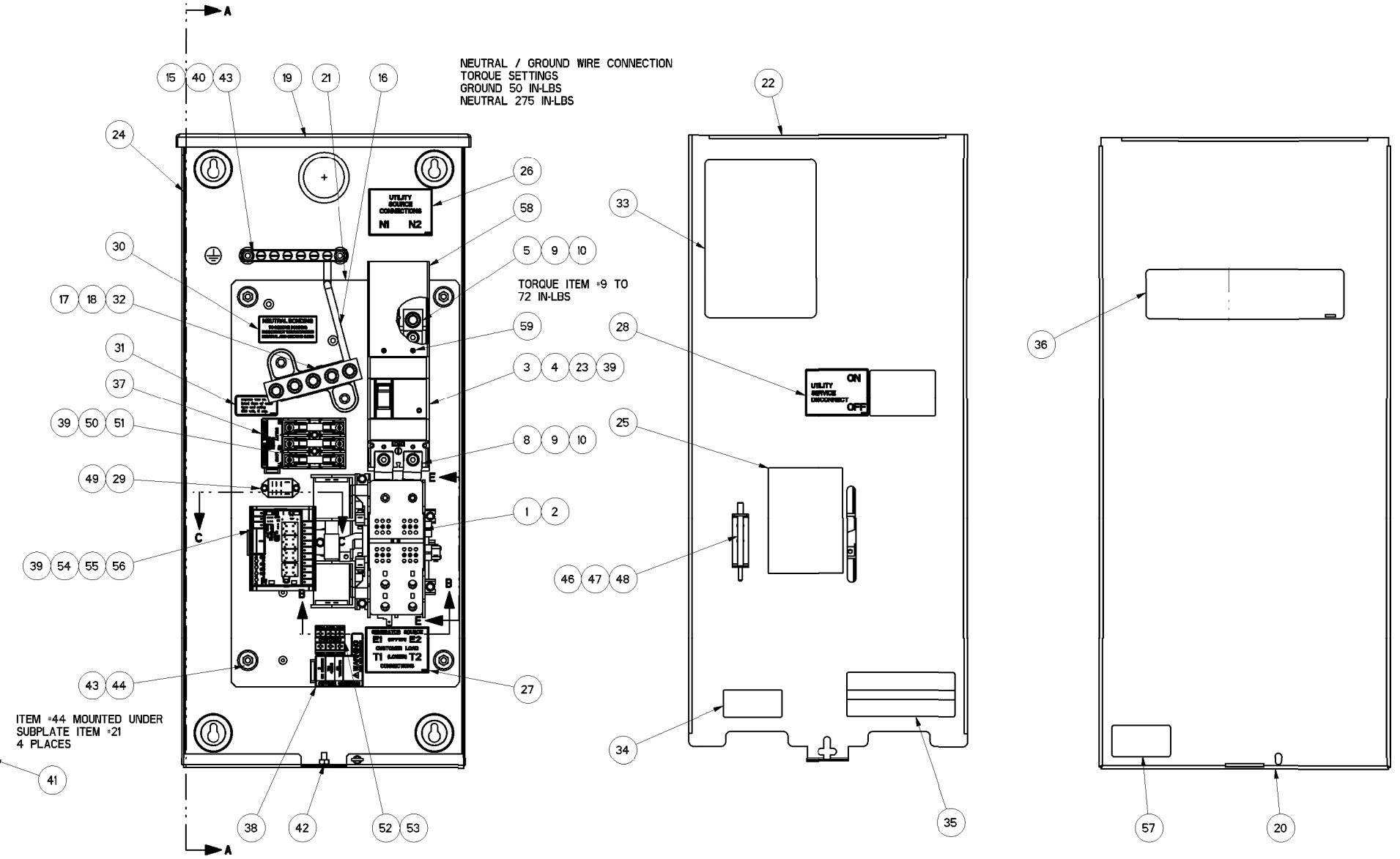
B

A

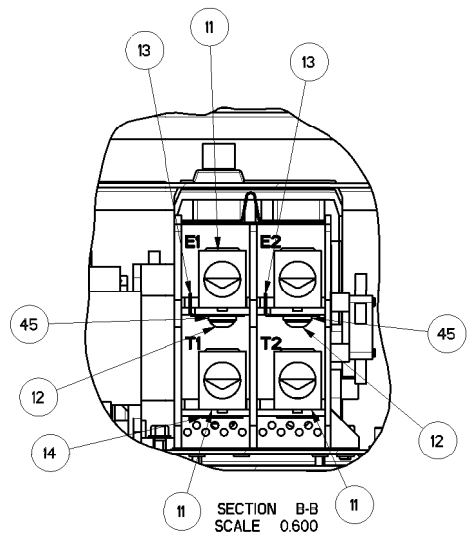
A



SECTION A-A

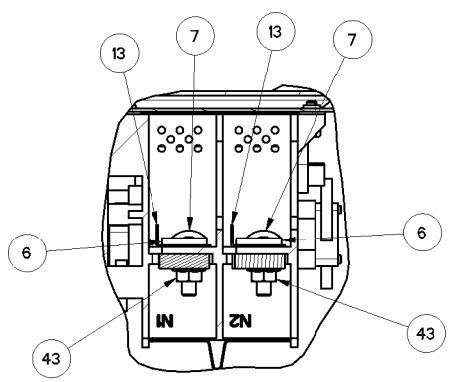


ITEM #	PART #	QTY	DESCRIPTION
1	0L2911	1	XFRSW HSB 200A 2P 250V
2	074908	5	SCREW HHTT M5-0.8 X 10 BP
3	0K0133	1	CB 200A 2POLE 240V 225AF
4	0K0973	2	SCREW RHM #8-32 X 2-1/2
5	0H6306	2	LUG SLDLSS 350 MCM-6 AL/CU
6	0G4413	2	SPACER, 200 AMP TRANSFER SWITCH
7	024334	2	BOLT CARR 1/4-20 X 1
8	0K0130	2	BUSBAR 200A TRANSFER SW N1,N2
9	049897	4	SCREW SHC M8-1.25 X 20 G6
10	022129	4	WASHER LOCK M8-5/16
11	0E3375	4	LUG SLDLSS 250-#6 AL/CU
12	0F1252	4	SCREW BHSC 1/4-20 X 3/8
13	0E6033	4	90 DEGREE DN SPADE CONNECTOR
14	0E6034	1	STRAIGHT SPADE CONNECTOR
15	0J8202	1	LUG SLDLSS 2/0-#14X#10-32X.125
16	0K1081	1	WIRE NEUTRAL/GND CONNECTION
17	0K0108A	1	ASSY-NEUT BLK 200A W/TAP
18	090388	2	SCREW HHTT M6-1.0 X 12 ZINC
19	0K01170ALOR	1	ENCLOSURE 200A SE XFRSW RAW
20	0K01180ALOR	1	COVER, 200A SE XFRSW RAW
21	0K0119	1	SUBPLATE, 200A SE XFER SW
22	0K01310ALOR	1	COVER INSIDE 200A SE XFER SW RAW
23	0K0132	1	CB RISER BRACKET 200A GENERAC
24	0K1736C	1	DECAL, XFER SW SE 200A 120/240
25	0L3484	1	DECAL WARN MANUAL OPER HANDLE
26	0G9651A	1	DECALS, SERVICE ENTRANCE
27	0G9651B	1	DECALS, SERVICE ENTRANCE
28	0G9651C	1	DECALS, SERVICE ENTRANCE
29	0F2659	2	SCREW HHTT M3-0.5 X 6 BP
30	0K1018	1	DECAL, NEUTRAL CONNECTION
31	0D3587	1	DECAL, FUSE REPLACEMENT
32	026902	1	SCREW HHTT #8-32 X 1/4 CZ
33	0K1738	1	DECAL TEST SEQUENCE 100-200A SE
34	0G3274	1	DECAL LIVE CIRCUIT ENG/FRN/SPN
35	0G3259	1	DECAL TERMINAL SHOCK HZD BI
36	0K1098	1	DECAL RTS TRANSFER SW GENERAC
37	0H6389	1	DECAL UTILITY LOAD SENSE 240V
38	0H7917	1	DECAL CUSTOMER CONN RTS
39	0A1495	8	SCREW HHTT M4-0.7 X 10 BP
40	026850	2	WASHER LOCK EXT 1/4 STL
41	0E7213	1	SCREW THUMB 1/4-20 X1/2 W/SHLD
42	085889	1	NUT HEX 1/4-20 SS
43	0G8411	8	NUT HEX FL WHIZ 1/4-20
44	022473	4	WASHER FLAT 1/4-M6 ZINC
45	022097	4	WASHER LOCK M6-1/4
46	0E6193	1	BRACKET, ARM EXTENDER
47	0D6162	2	RIVET POP .156 X .362 AL
48	0E6155	1	PIN ARM EXTENDER
49	0K0103	1	RELAY PNL 12VDC DPDT 10A@240VA
50	0D2572	1	FUSEBLOCK 30A 600V 3POS W/SQ
51	073590A	3	FUSE 5A X BUSS
52	0D7393T	1	TERM BLOCK 3P UL 12-20AWG
53	0L3068	2	SCREW HHTT M3-0.5 X 25 ZP
54	0H7190	1	BRACKET LOAD SHED 200A RTS
55	0L3123	1	ASSY SMART AC MOD
56	0H7270	1	CHANNEL SNAPTRACK 76.2 X 101.2
57	0H7274	1	DECAL NEC COMPLIANCE
58	0K8414	1	CB TERMINAL COVER 2 POLE 240V
59	0K8628	2	SCREW PFH 4-24 X 5/16 TCS
60	064761	4	TIE WRAP UL 5.6 X .10 NATL
61	0L3247	1	HARNESS 200A SE SACM



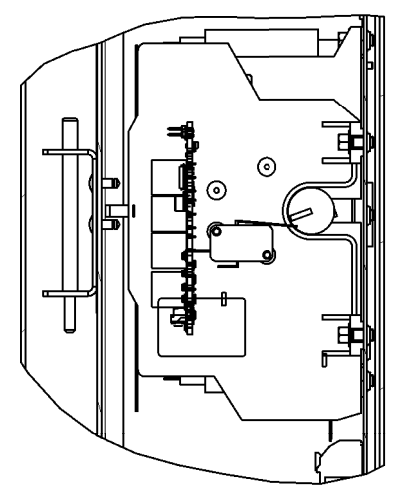
SECTION B-B SCALE 0.600

TORQUE ITEM 12 TO 72 IN-LBS



SECTION C-C SCALE 0.600

TORQUE ITEM 7 AND 43 TO 72 IN-LBS



SECTION E-E SCALE 0.600

**REFERENCE DRAWINGS**  
 0L3242 SCHEMATIC/WIRING DIAGRAMS  
 0K1846 CARTON 305 X 142 X 7  
 0H7275 TEST PROC HSB XFRSW  
 0K0120 KIT, ENCL 200A SE AL GENERAC

--SERIAL NUMBER AND FRONT DECAL PER MODEL  
 --SUPPLIED WITH HARNESS ITEM #61

PART NUMBER	DESCRIPTION	ITEM # 24	ITEM # 36
0L3217	ASSEMBLY 200A SERVICE ENTR GEN	0K1736C	PER MODEL
0L3217A	EXPLODED VIEW DRAWING	N/A	N/A
0L3217B	ASSEMBLY 200A SERVICE ENTR GEN	0K1736C	0K1098
0L3217C	ASSEMBLY 200A SERVICE ENTR HNYWL	0J3804C	0K1274
0L3217D	ASSEMBLY 200A SERVICE ENTR HNYWL	0J3804C	0K1274

DRAWING CREATED FROM PRO/ENGINEER 3D FILE. ECO MODIFICATION TO BE APPLIED TO SOLID MODEL ONLY.

GENERAL TOLERANCES UNLESS NOTED		THIRD ANGLE PROJECTION	
ALL XX	± 0.4 MM		
XXX	± 0.4 MM		
ALL XXXX	± 0.5 MM		
ALL XXXX	± 1	INTERPRET DIM AND TOL PER ASME Y14.5M-1994	

**GENERAC**

TITLE  
**ASSEMBLY 200A SERVICE ENTRANCE GENERAC CB**

ISSUE DATE:	SIZE	CAGE NO	DWG NO	REV
	D	N/A	<b>0L3217\$</b>	C
	SCALE 0.300		WT-KG 306457478.68 SHEET 1 of 1	

ITEM #	PART #	QTY	DESCRIPTION
1	0L2911	1	XFRSW HSB 200A 2P 250V
2	074908	5	SCREW HHTT M5-0.8 X 10 BP
3	0E3628	1	CB 0200A 2P 240V S QN2 LL
4	0E3664	1	BASE, ON CIRCUIT BREAKER
5	036918	2	SCREW PPHM #8-32 X 1/2
6	0G9299	2	WIRE 3/0 NI,N2
7	0E3375	6	LUG SLDLSS 250-#6 AL/CU
8	0F1252	6	SCREW BHSC 1/4-20 X 3/8
9	G022097	6	WASHER LOCK M6-1/4
10	0E6033	4	90 DEGREE DN SPADE CONNECTOR
11	0E6034	1	STRAIGHT SPADE CONNECTOR
12	0J8202	1	LUG SLDLSS 2/0-#14X#10-32X.125
13	026850	2	WASHER LOCK EXT 1/4 STL
14	0G8411	6	NUT HEX FL WHIZ 1/4-20
15	0K1914	1	WIRE NEUTRAL CONNECTION SIE
16	0K0108A	1	ASSY-NEUT BLK 200A W/TAP
17	090388	2	SCREW HHTT M6-1.0 X 12 ZINC
18	0K01170ALDR	1	ENCLOSURE 200A SE XFRSW RAW
19	0K01180ALDR	1	COVER, 200A SE XFRSW RAW
20	0K0119	1	SUBPLATE, 200A SE XFR SW
21	0G93000ALDR	1	CB RISER BRACKET 200A GENERAC RAW
22	0G97730ALDR	1	COVER INSIDE 200A SE SIE RAW
23	022473	4	WASHER FLAT 1/4-M6 ZINC
24	085889	1	NUT HEX 1/4-20 SS
25	0D2572	1	FUSLBLOCK 30A 600V 3POS W/SQ
26	073590A	3	FUSE 5A X BUSS
27	0A1495	7	SCREW HHTT M4-0.7 X 10 BP
28	0K0103	1	RELAY PNL 12VDC DPDT 10A@240VA
29	0F2659	2	SCREW HHTT M3-0.5 X 6 BP
30	0D7393T	1	TERM BLOCK 3P UL 12-20AWG
31	0L3068	2	SCREW THTT M3-0.5 X 25 ZP
32	0D3587	1	DECAL, FUSE REPLACEMENT
33	0E3484	1	DECAL WARN MANUAL OPER HANDLE
34	0G3259	1	DECAL TERMINAL SHOCK HZD BI
35	0G3274	1	DECAL LIVE CIRCUIT ENG/FRN/SPN
36	026902	1	SCREW HHTT #8-32 X 1/4 CZ
37	0H1765A	1	DECAL UTILITY SOURCE CONNECTION
38	0H1765B	1	DECAL GENERATOR/CUSTOMER CONN
39	0H1765C	1	DECAL UTILITY DISCONNECT
40	0H6389	1	DECAL UTILITY LOAD SENSE 240V
41	0H7917	1	DECAL CUSTOMER CONN RTS
42	0H7190	1	BRACKET LOAD SHED 200A RTS
43	0K1018	1	DECAL, NEUTRAL CONNECTION
44	0K1272	1	DECAL TRANSFER SW SIEMENS
45	0K1736C	1	DECAL, XFER SW SE 200A 120/240
46	0K1738	1	DECAL TEST SEQUENCE 100-200A SE
47	0E6155	1	PIN ARM EXTENDER
48	0E6193	1	BRACKET, ARM EXTENDER
49	0D6162	2	RIVET POP .156 X .362 AL
50	0H7270	1	CHANNEL SNAPTRACK 76.2 X 101.2
51	0H7274	1	DECAL NEC COMPLIANCE
52	0L3123	1	ASSY SMART AC MOD
53	0L6699	1	NUT TRIC 1/4-20 ALUM
54	064761	4	TIE WRAP UL 5.6 X .10 NATL
55	0L3247	1	HARNES 200A SE SACM
56	0L6700	1	SCREW THUMB 1/4-20 X 1/2 KNURL

-SUPPLIED WITH HARNESS ITEM #55

PART NUMBER	DESCRIPTION
0L321B	ASSEMBLY 200A SERVICE ENTR SIEM
0L3218A	EXPLODED VIEW DRAWING

**REFERENCE DRAWINGS**  
 0L3242 SCHEMATIC/WIRING DIAGRAMS  
 0K1846 CARTON 30"5 X 14"2 X 7"8  
 0H7275 TEST PROC HSB XFRSW  
 0K0121 KIT, ENCL 200A SE AL SIEMENS

GENERAL TOLERANCES UNLESS NOTED		THIRD ANGLE PROJECTION
ALL XX	= 0.4 MM	
XXX	= 0.4 MM	
XXXX	= 0.8 MM	
ALL ANG	= F	
INTERPRET DIM AND TOL PER ASME Y14.5M-1994		

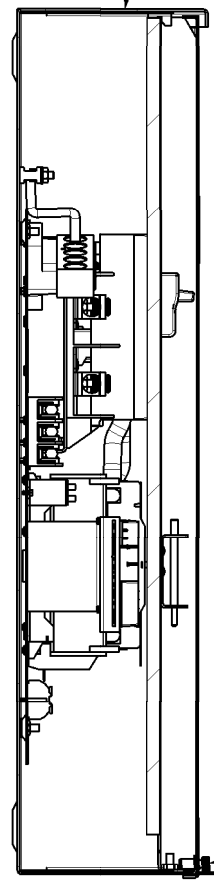
**GENERAC**

TITLE  
**ASSEMBLY 200A SERVICE ENTRANCE SIEMENS CB**

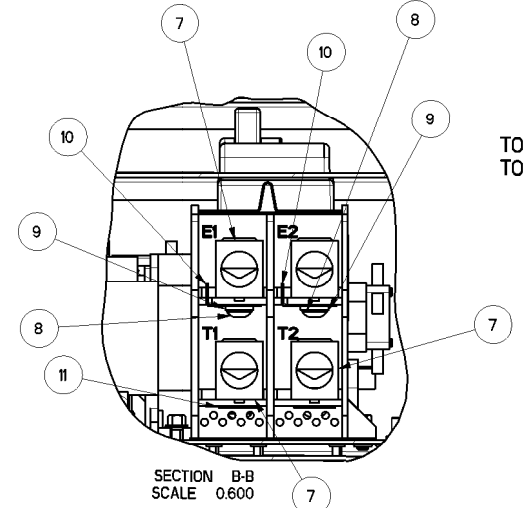
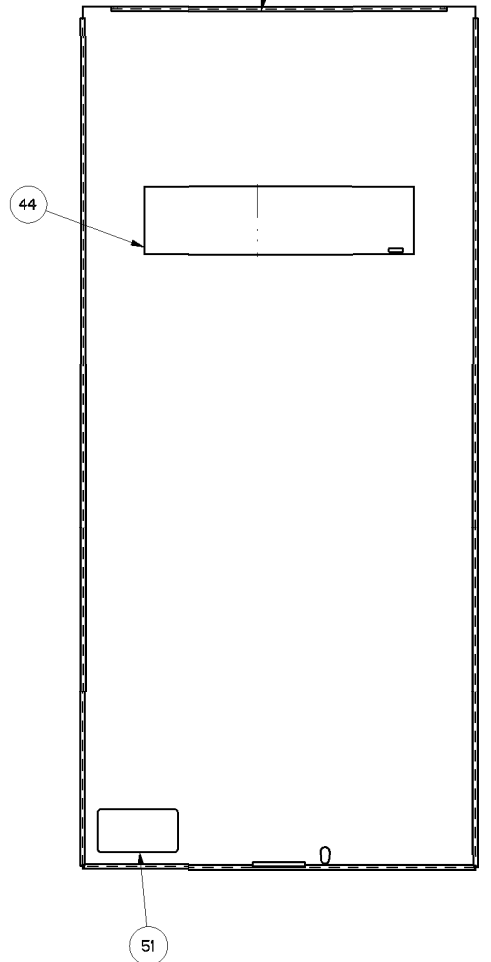
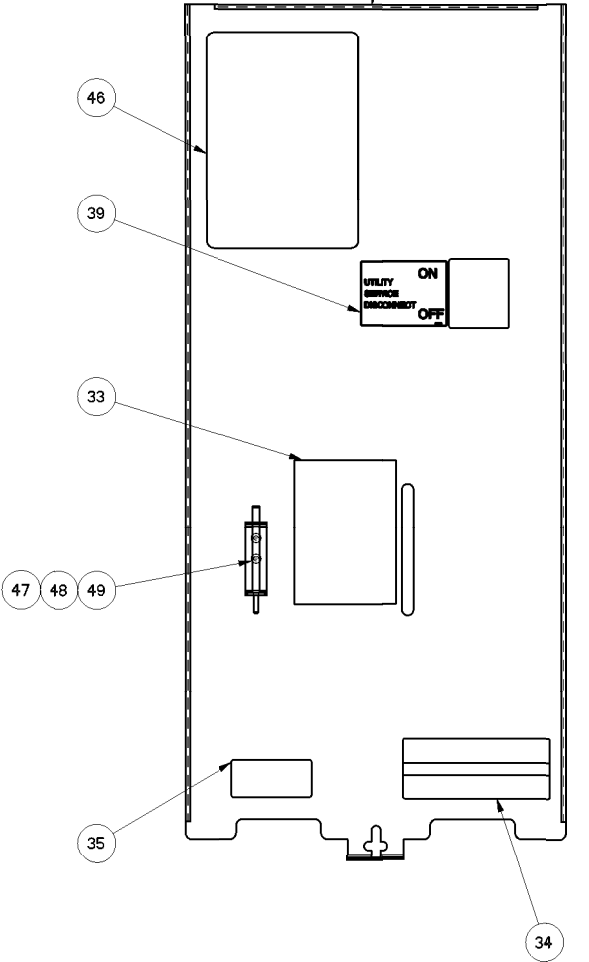
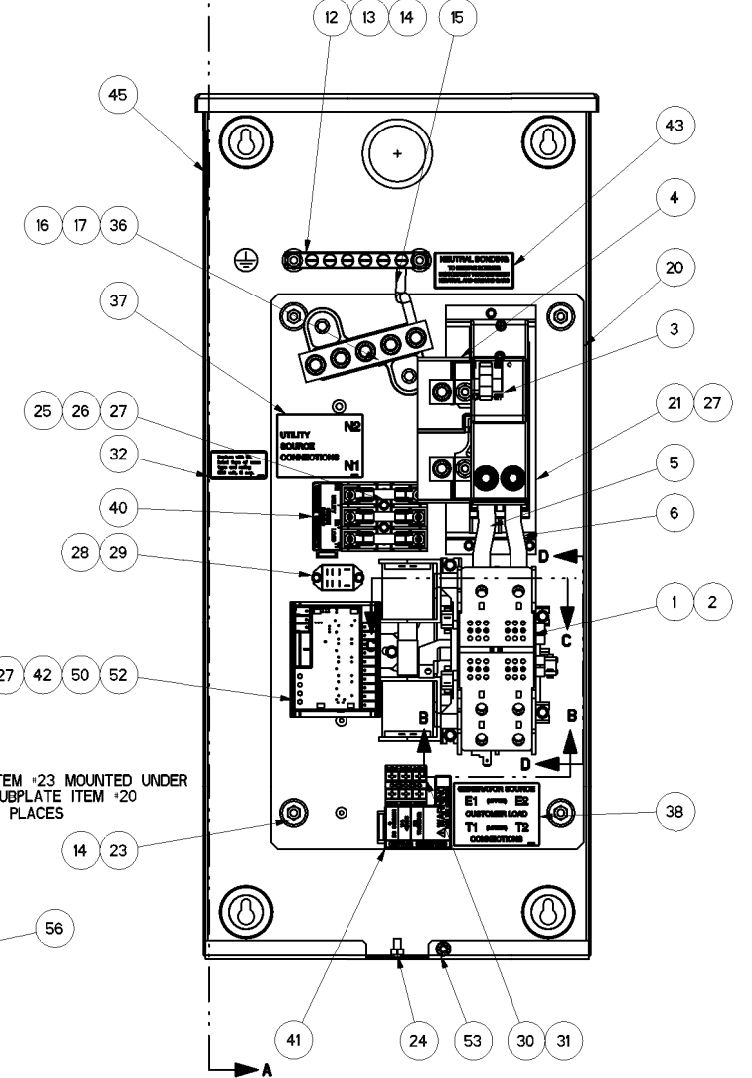
ISSUE DATE:	SIZE	CAGE NO	DWG NO	REV
	D	N/A	0L3218\$	D
SCALE 0.300				WT-KG 22428741.55 SHEET 1 of 1

**GENERAL ASSEMBLY DRAWING**

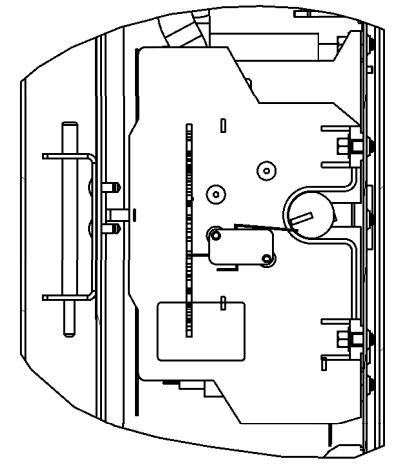
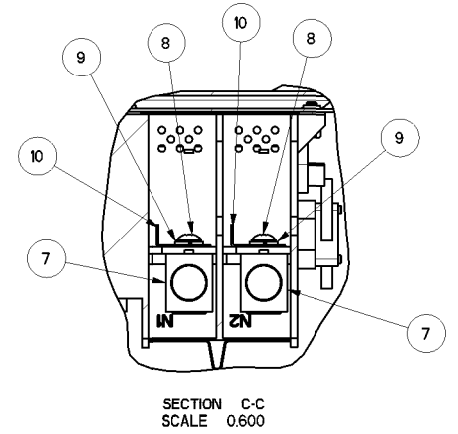
DRAWING CREATED FROM PRO/ENGINEER 3D FILE. ECO MODIFICATION TO BE APPLIED TO SOLID MODEL ONLY.



ITEM #23 MOUNTED UNDER SUBPLATE ITEM #20 4 PLACES



TORQUE ITEM #9 TO 72 IN-LBS



SECTION D-D SCALE 0.600

SECTION C-C SCALE 0.600

SECTION B-B SCALE 0.600