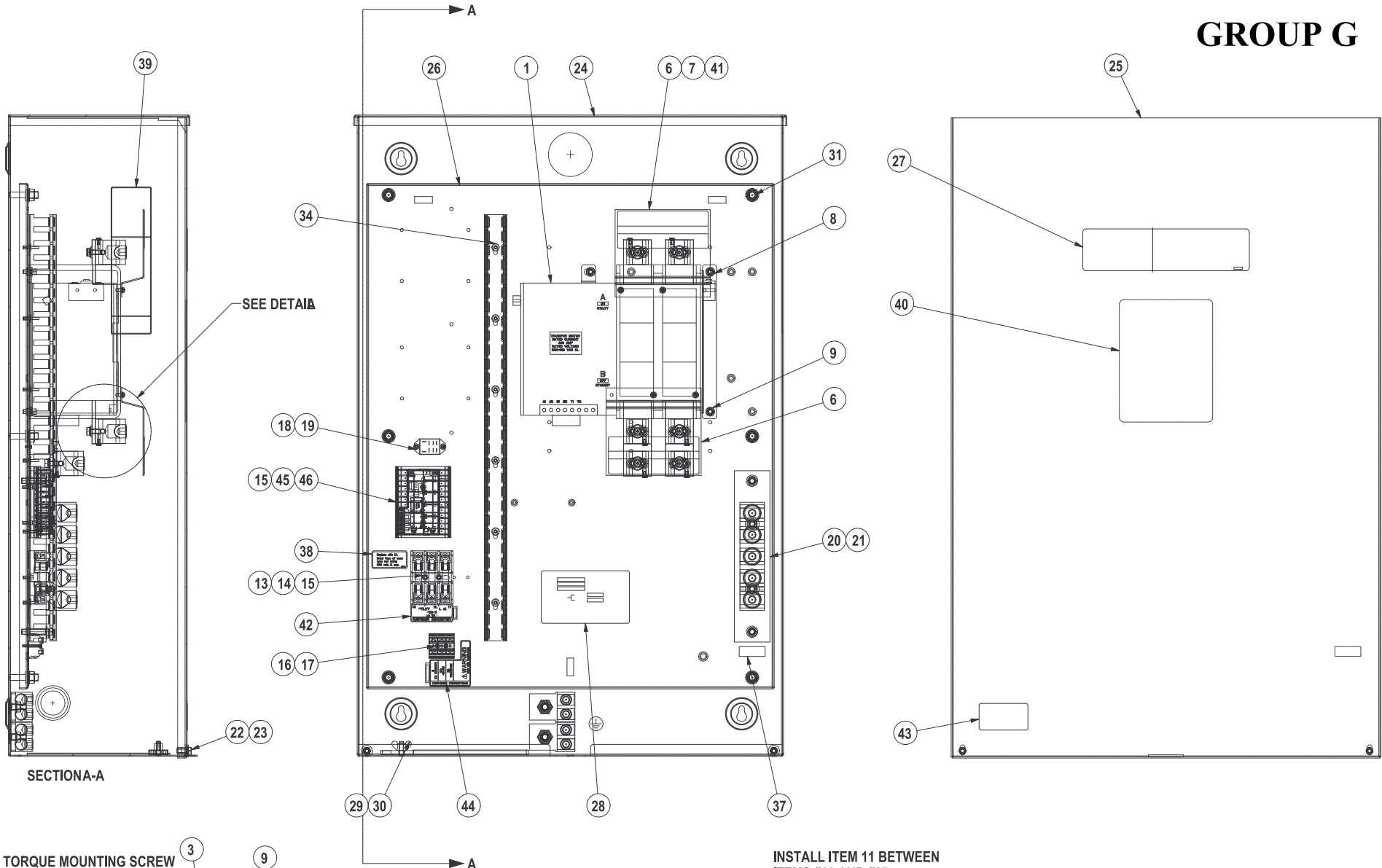
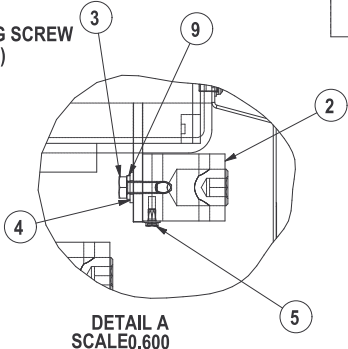


# GROUP G



TORQUE MOUNTING SCREW TO 70 IN.-LBS. (400A)



INSTALL ITEM 11 BETWEEN ITEMS #10 AND #27

## EXPLODED VIEW: ASSEMBLY 400A 120/240 NON SE

DRAWING #: 0K0161

## GROUP G

ITEM	PART#	QTY.	DESCRIPTION
1	0D7294	1	XFER SW-W 400A600V2P
2	0A7822	6	LUG SLDLSS 600/250-1/0X1/4-28
3	0A8261	12	SCREW HHC 1/4-28 X 5/8 .625TH
4	022473	12	WASHER FLAT 1/4-M6 ZINC
5	026902	6	SCREW HHTT #8-32 X 1/4 CZ
6	0C7907J	2	COVER LUG 2P 300/400AMP
7	0C8275	4	SCREW PPHM M4-0.7 X 10 SEMS
8	090388	3	SCREW HHTT M6-1.0 X 12 ZINC
9	022097	15	WASHER LOCK M6-1/4
10	062707	2	LUG SLDLSS 250-#6 X 11MM AL/CU
11	0C3168	2	WASHER LOCK SPECIAL 5/16
12	0H6559	2	NUT HEX FL WHIZ 5/16-18
(1)13	0D2572	1	FUSEBLOCK 30A 600V 3POS W/SQ
14	073590A	3	FUSE 5A X BUSS
15	0A1495	4	SCREW HHTT M4-0.7 X 10 BP
(1)16	0D7393T	1	TERM BLOCK 3P UL 12-20AWG
17	0K0124	2	SCREW PHTT M3-0.5 X 25
(1)18	0K0103	1	RELAY PNL 12VDC DPDT 10A@240VA
19	0F2659	2	SCREW HHTT M3-0.5 X 6 BP
20	0K1370	1	ASSY NEUTRAL BLK 300-400A
21	091225	2	SCREW HHTT M8-1.2 X 35 YC
22	047411	2	SCREW HHC M6-1.0 X 16 C8.8
23	0F6165	2	WASHER M6 NYLON
24	0K13230STOR	1	ENCLOSURE 3R 400A XFERSW RAW
25	0K13240STOR	1	COVER, NEMA 3R XFER SW RAW
26	0K13250STOR	1	SUBPLATE 24/36 ENCL RTS RAW
27	0K1098	1	DECAL RTS TRANSFER SW GENERAC
28	0K1799C	1	DECAL DATA NON SE SW 400A
29	063321	1	HANDLE XFER SWITCH 1-400A
30	087680	1	NUT WING M6-1.0
31	064101	6	NUT HEX FL WHIZ 3/8-16
32	063378	4	HOLDER CABLE TIE
33	064761	4	TIE WRAP UL 5.6 X .10 NATL
34	091477	6	RIVET, WIRE DUCT MNT
35	091472	2'	DUCT WIRING 1X1.5
36	091472A	2'	COVER WIRE DUCT 1 IN
37	0A9457	1	DECAL, NEUTRAL
38	0D3587	1	DECAL, FUSE REPLACEMENT
39	0D4545	1	DECAL, MANUAL OPERATION
40	0F6129	1	DECAL TEST SEQUENCE 3P TS 3R
41	0G3259	2	DECAL TERMINAL SHOCK HZD BI
42	0H6389	1	DECAL UTILITY LOAD SENSE 240V
43	0H7274	1	DECAL NEC COMPLIANCE
44	0H7917	1	DECAL CUSTOMER CONN RTS
45	0H7270	1	CHANNEL SNAPTRACK 76.2 X 101.2
46	0K0220A	1	ASSY LOAD MANAGEMENT CONTROLLER PROGRAMMED
47	0K1346	1	HARNES 400A 2 POLE RTS (NOT SHOWN)

(1) ITEMS INCLUDED WITH HARNES